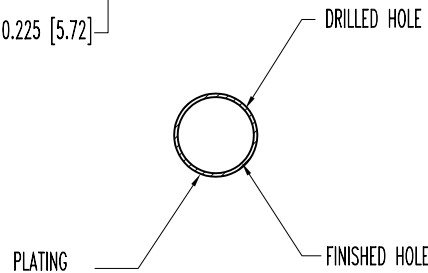
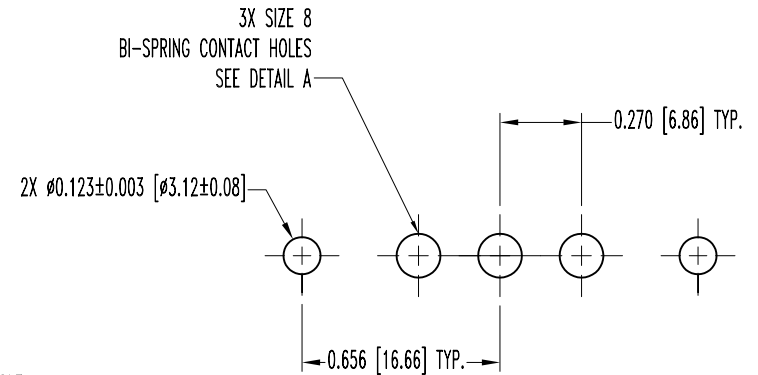
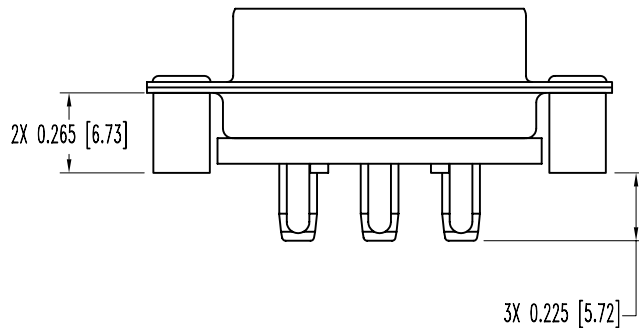
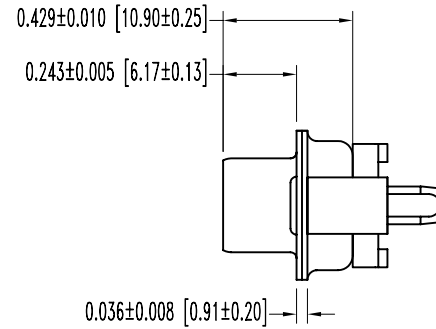
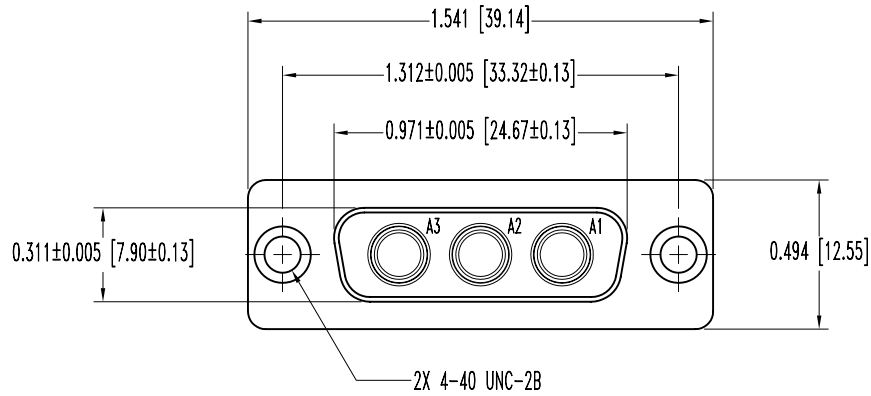


SK4322

POSITRONIC INDUSTRIES BELIEVES THE DATA ON THIS DRAWING TO BE RELIABLE. SINCE THE TECHNICAL INFORMATION IS GIVEN FREE OF CHARGE, THE USER EMPLOYS SUCH INFORMATION AT HIS OWN DISCRETION AND RISK. POSITRONIC INDUSTRIES ASSUMES NO RESPONSIBILITY FOR RESULTS OBTAINED OR DAMAGES INCURRED FROM USE OF SUCH INFORMATION IN WHOLE OR IN PART.

DATE	REV	REVISION RECORD	APP	DR	CK
5-17-02	NC	ECO 19455	TK	YK	COLE
10-7-05	A	ECO 24787		TH	



PRESS FIT CONTACT HOLES SEE SK6370
DETAIL A

- NOTES:
- MATERIALS AND FINISHES:
INSULATOR: GLASS FILLED POLYESTER PER MIL-M-24519, UL 94V-0, BLUE COLOR.
CONTACTS: COPPER ALLOY WITH GOLD FLASH OVER NICKEL.
SHELLS: STEEL, TIN PLATE.
 - ELECTRICAL CHARACTERISTICS:
INSULATOR RESISTANCE: 5 G OHMS.
WORKING VOLTAGE: 300 V r.m.s.
TEMPERATURE RANGE: -55°C TO +125°C.
 - DIMENSIONS ARE IN INCHES [MILLIMETERS].

	POSITRONIC INDUSTRIES INC. www.connectpositronic.com		SCALE	DRAWN BY
	CBD SERIES		N.T.S.	Y. KELLEYBREW
DECIMAL TOL. ± 0.015 [0.38]	TITLE CBD3W3F93S00X		APPROVED BY	T. KEPLEY
ANGULAR TOL. ± 5°	DATE 5-17-02	DRAWING NUMBER SK4322	REV.	A