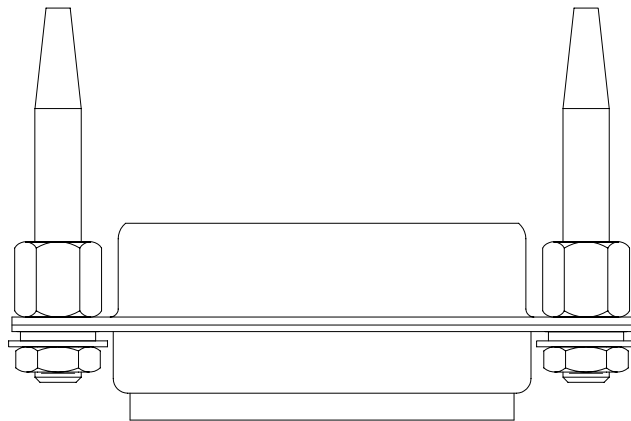
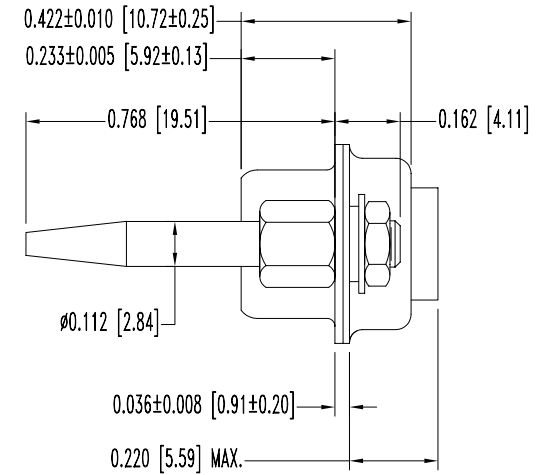
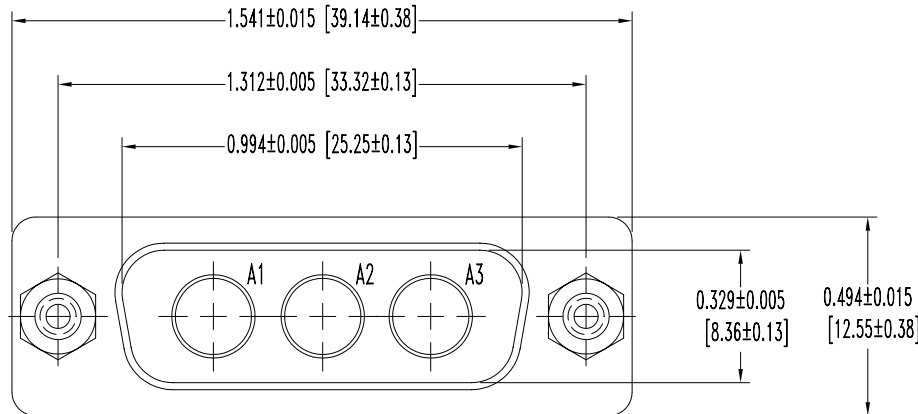


POSITRONIC INDUSTRIES BELIEVES THE DATA ON THIS DRAWING TO BE RELIABLE. SINCE THE TECHNICAL INFORMATION IS GIVEN FREE OF CHARGE, THE USER EMPLOYS SUCH INFORMATION AT HIS OWN DISCRETION AND RISK. POSITRONIC INDUSTRIES ASSUMES NO RESPONSIBILITY FOR RESULTS OBTAINED OR DAMAGES INCURRED FROM USE OF SUCH INFORMATION IN WHOLE OR IN PART.

DATE	REV	REVISION RECORD	APP	DR	CK
8-14-02	NC	ECO 19878		ME	



NOTES:

- MATERIALS AND FINISHES:
 INSULATORS: GLASS FILLED POLYESTER PER MIL-W-24519, UL 94V-0, BLUE COLOR.
 SHELLS: STEEL, TIN PLATED.
 BLIND MATING GUIDES: STEEL, ZINC PLATE WITH DICHROMATE SEAL.
- ELECTRICAL CHARACTERISTICS:
 INSULATOR RESISTANCE: 5 G OHMS.
 WORKING VOLTAGE: 300 V r.m.s.
 TEMPERATURE RANGE: -55°C TO +125°C.
- MOS 759.0 ALLOWS FOR BLIND MATE GUIDES TO BE INSTALLED.
- DIMENSIONS ARE IN INCHES [MILLIMETERS].

	POSITRONIC INDUSTRIES INC. www.connectpositronic.com		FSCM 28198
	CBD SERIES	SCALE N.T.S.	DRAWN BY M. ENEA
DECIMAL TOL. ± 0.015 [0.38]	TITLE CBD3W3M0000X-759.0		
WF # 4749	DATE 8-14-02	DRAWING NUMBER SK4498	REV. NC
ANGULAR TOL. $\pm 5^\circ$			