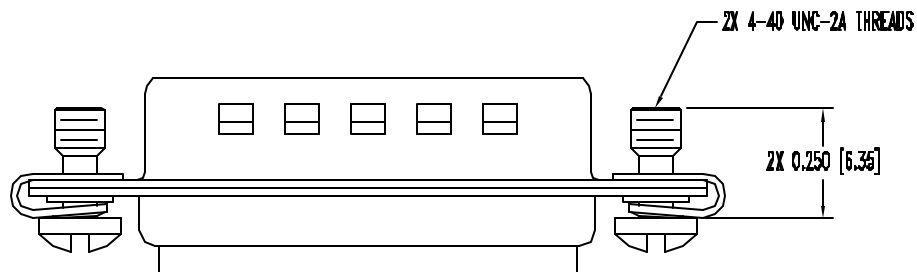
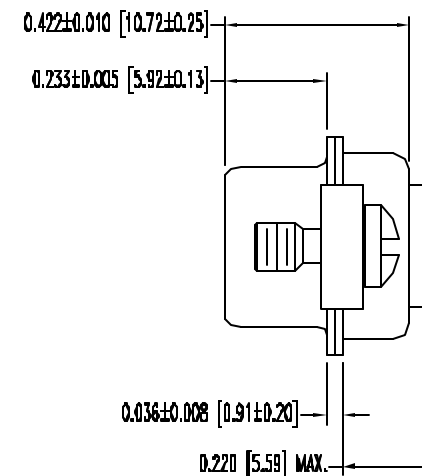
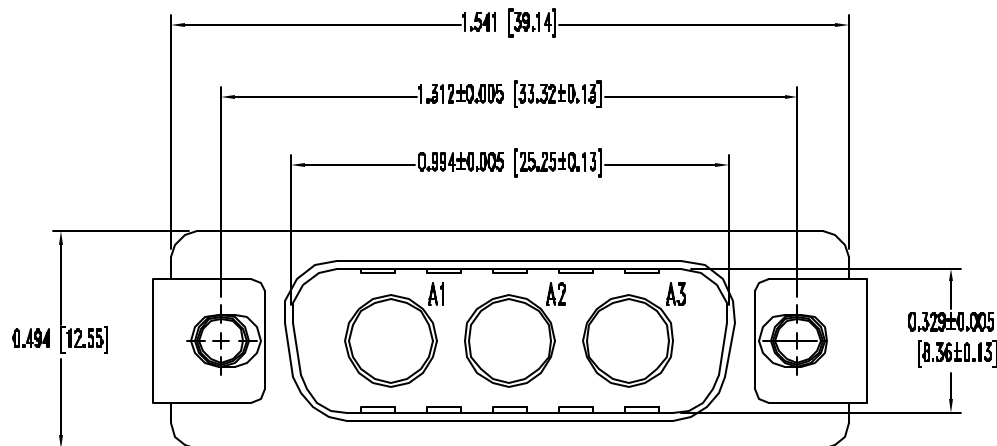


POSITRONIC INDUSTRIES BELIEVES THE DATA ON THIS DRAWING TO BE RELIABLE, SINCE THE TECHNICAL INFORMATION IS GIVEN FREE OF CHARGE, THE USER EMPLOYEES SUCH INFORMATION AT HIS OWN DISCRETION AND RISK. POSITRONIC INDUSTRIES ASSUMES NO RESPONSIBILITY FOR RESULTS OBTAINED OR DAMAGES INCURRED FROM USE OF SUCH INFORMATION IN WHOLE OR IN PART.


SK4152

DATE	REV	REVISION RECORD	APP	DR	CK
1-30-02	NC	ECO 18904		JLG	



NOTES:

- MATERIALS AND FINISHES:
 INSULATOR: GLASS FILLED POLYESTER PER MIL-N-24519, UL 94V-0, BLUE COLOR.
 SHELLS: STEEL, TIN PLATE.
 SCREWS: STEEL, ZINC PLATE WITH DICHROMATE SEAL.
 U-CLIPS: SPRING STEEL, ZINC PLATE WITH DICHROMATE SEAL.
- ELECTRICAL CHARACTERISTICS:
 INSULATOR RESISTANCE: 5 G OHMS.
 WORKING VOLTAGE: 300 V r.m.s.
 TEMPERATURE RANGE: -55°C TO +125°C.
- DIMENSIONS ARE IN INCHES [MILLIMETERS].

 POSITRONIC INDUSTRIES INC. www.connectpositronic.com		SCALE	DRAWN BY
		N.T.S.	J. GREEN
DECIMAL TOL.	CBD SERIES	APPROVED BY	
± 0.015 [0.38]	TITLE	CBD3W3M000E2Z	
WF # 4305	DATE	DRAWING NUMBER	REV.
ANGULAR TOL.	1-30-02	SK4152	NC
± 5°			