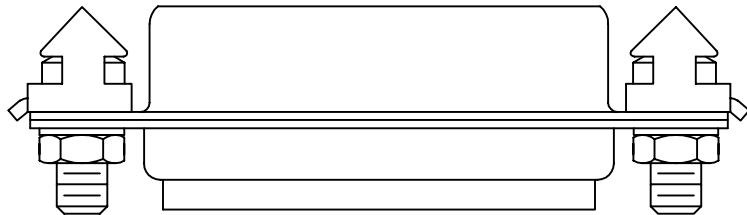
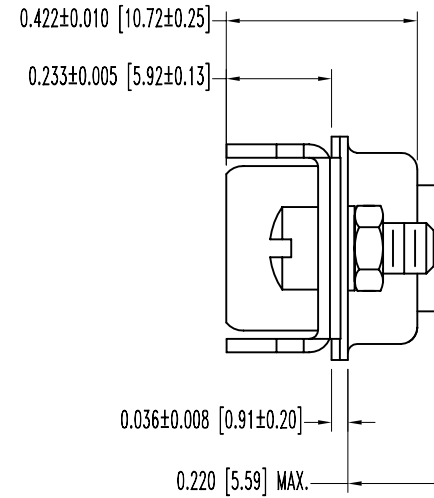
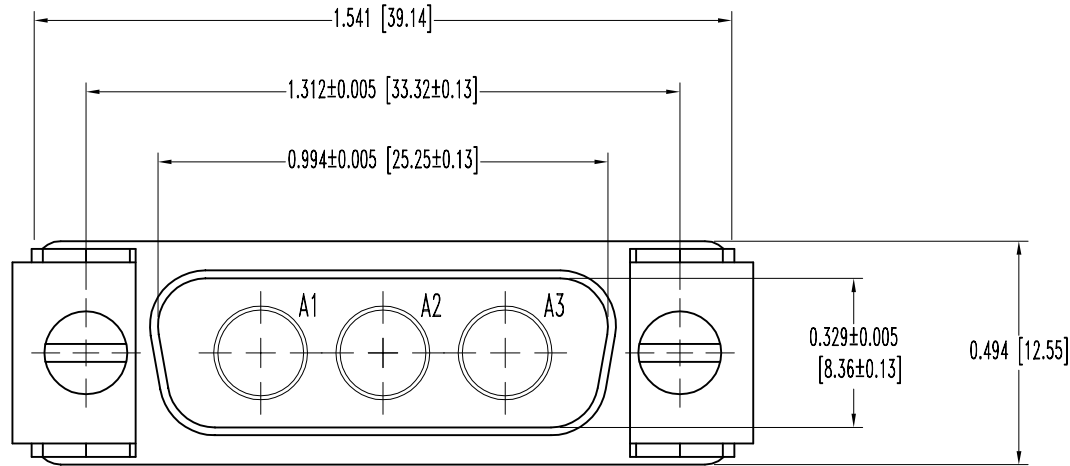


SK4258

POSITRONIC INDUSTRIES BELIEVES THE DATA ON THIS DRAWING TO BE RELIABLE. SINCE THE TECHNICAL INFORMATION IS GIVEN FREE OF CHARGE, THE USER EMPLOYS SUCH INFORMATION AT HIS OWN DISCRETION AND RISK. POSITRONIC INDUSTRIES ASSUMES NO RESPONSIBILITY FOR RESULTS OBTAINED OR DAMAGES INCURRED FROM USE OF SUCH INFORMATION IN WHOLE OR IN PART.

DATE	REV	REVISION RECORD	APP	DR	CK
4-9-02	NC	ECO 19255		YK	



NOTES:

- MATERIALS AND FINISHES:  
 INSULATORS: GLASS FILLED POLYESTER PER MIL-M-24519, UL 94V-0, BLUE COLOR.  
 SHELLS: STEEL, TIN PLATE.  
 LOCK TABS: STEEL, NICKEL PLATE.
- ELECTRICAL CHARACTERISTICS:  
 INSULATOR RESISTANCE: 5 G OHMS.  
 TEMPERATURE RANGE: -55°C TO +125°C.
- DIMENSIONS ARE IN INCHES [MILLIMETERS].

 <b>POSITRONIC INDUSTRIES INC.</b> www.connectpositronic.com		SCALE	DRAWN BY
DECIMAL TOL. ±0.015 [0.38]		N.T.S.	Y. KELLEYBREW
WF # 4439		APPROVED BY	
DATE 4-9-02		TITLE CBD SERIES CBD3W3M000V3X	
ANGULAR TOL. ±5°		DRAWING NUMBER SK4258	REV. NC