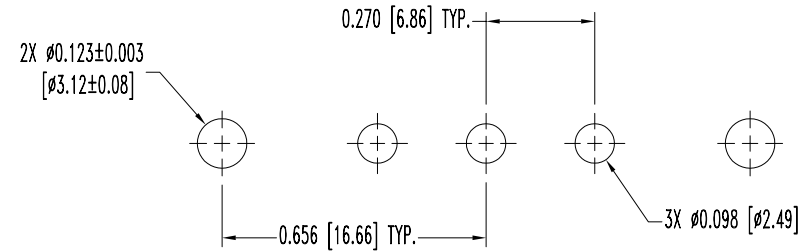
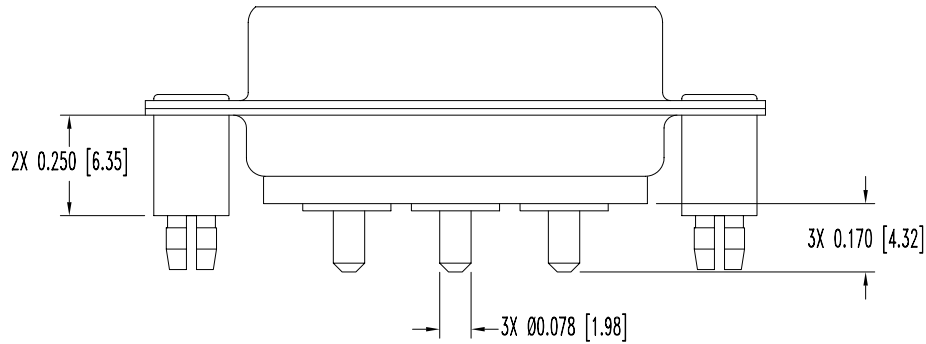
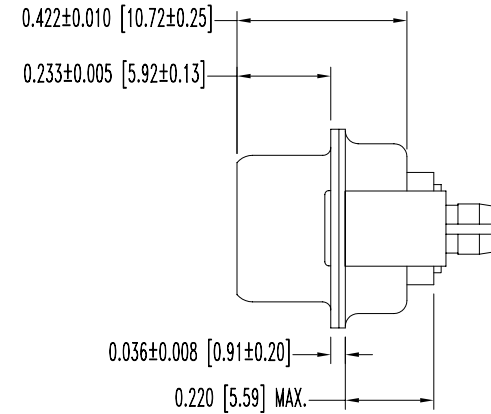
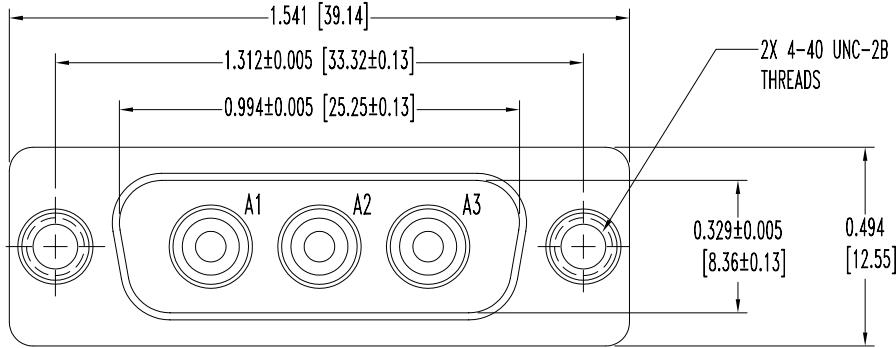


SK8847

POSITRONIC INDUSTRIES BELIEVES THE DATA ON THIS DRAWING TO BE RELIABLE. SINCE THE TECHNICAL INFORMATION IS GIVEN FREE OF CHARGE, THE USER EMPLOYS SUCH INFORMATION AT HIS OWN DISCRETION AND RISK. POSITRONIC INDUSTRIES ASSUMES NO RESPONSIBILITY FOR RESULTS OBTAINED OR DAMAGES INCURRED FROM USE OF SUCH INFORMATION IN WHOLE OR IN PART.

DATE	REV	REVISION RECORD	APP	DR	CK
8-15-07	NC	ECO 28322	RCW	YK	COL



CONTACT HOLE PATTERN

NOTES:

- MATERIALS AND FINISHES:
  - INSULATORS: GLASS FILLED POLYESTER PER MIL-M-24519, UL 94V-0, BLUE COLOR.
  - CONTACTS: PRECISION MACHINED HIGH TENSILE PHOSPHOR BRONZE, GOLD FLASH OVER NICKEL FINISH.
  - SHELLS: STEEL, TIN PLATE.
  - SWAGED SPACER WITH PUSH-ON FASTENERS: PHOSPHOR BRONZE, TIN PLATE.
- ELECTRICAL CHARACTERISTICS:
  - CONTACT CURRENT RATING: 15 AMPERES NOMINAL.
  - INITIAL CONTACT RESISTANCE: 0.0005 OHMS MAX. PER IEC 512-2, TEST 2b.
  - INSULATOR RESISTANCE: 5 G OHMS.
  - WORKING VOLTAGE: 300 V r.m.s.
- TEMPERATURE RANGE: -55°C TO +125°C.
- DIMENSIONS ARE IN INCHES [MILLIMETERS].

	<b>POSITRONIC INDUSTRIES INC.</b> www.connectpositronic.com		FSCM 28198
	DECIMAL TOL. ± 0.015 [0.38]	CBD SERIES	SCALE N.T.S.
ANGULAR TOL. ± 5°	DATE 8-15-07	DRAWING NUMBER SK8847	REV. NC
TITLE CBD3W3M35S600X			