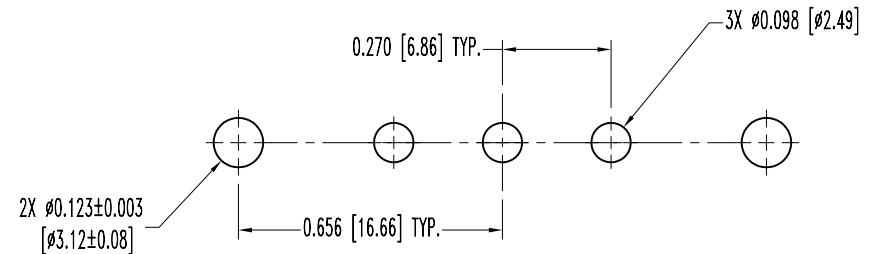
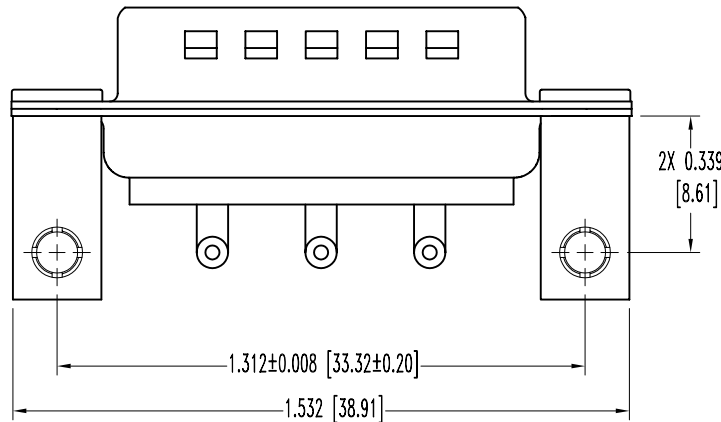
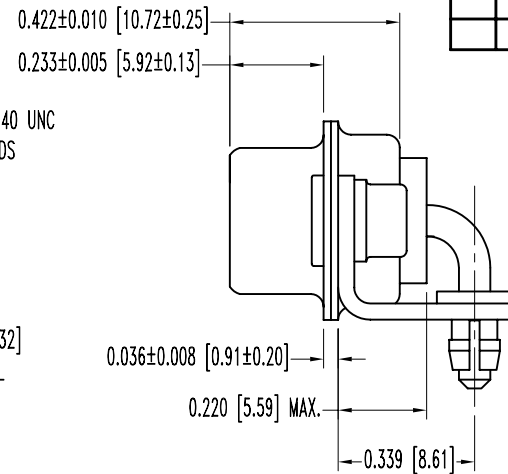
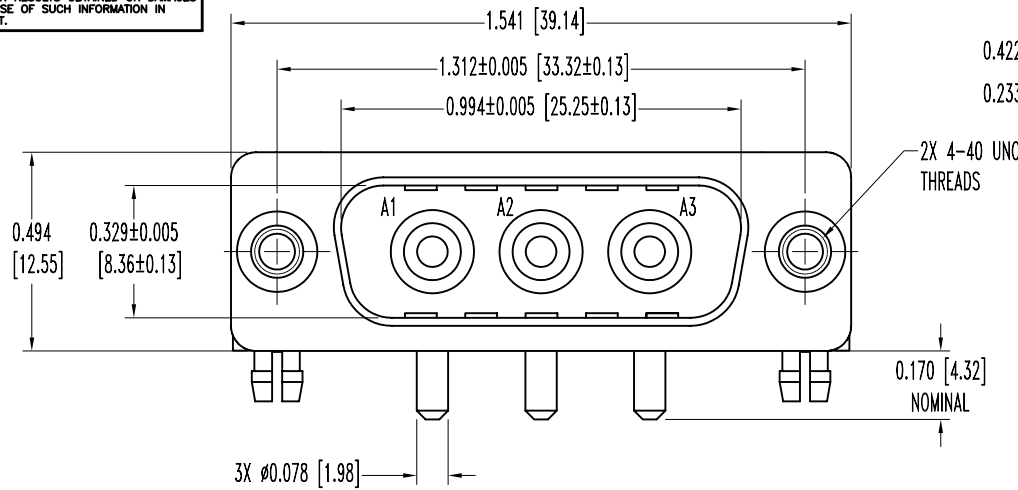


SK5386

POSITRONIC INDUSTRIES BELIEVES THE DATA ON THIS DRAWING TO BE RELIABLE. SINCE THE TECHNICAL INFORMATION IS GIVEN FREE OF CHARGE, THE USER EMPLOYS SUCH INFORMATION AT HIS OWN DISCRETION AND RISK. POSITRONIC INDUSTRIES ASSUMES NO RESPONSIBILITY FOR RESULTS OBTAINED OR DAMAGES INCURRED FROM USE OF SUCH INFORMATION IN WHOLE OR IN PART.


DATE	REV	REVISION RECORD	APP	DR	CK
4-2-04	NC	ECO 22245		YK	



CONTACT HOLE PATTERN

NOTES:

- MATERIALS AND FINISHES:  
 INSULATOR: GLASS FILLED POLYESTER PER MIL-M-24519 UL 94V-0, BLUE COLOR.  
 CONTACTS: MACHINED OF HIGH CONDUCTIVITY COPPER ALLOY, GOLD FLASH OVER NICKEL.  
 SHELLS: STEEL, TIN PLATED AND DIMPLED.  
 MOUNTING BRACKETS: BRASS WITH TIN PLATE.  
 PUSH-ON FASTENERS: COPPER ALLOY WITH TIN PLATE.
- ELECTRICAL CHARACTERISTICS:  
 CONTACT CURRENT RATING: 30 AMPERES NOMINAL.  
 INITIAL CONTACT RESISTANCE: 0.005 OHMS MAXIMUM.  
 INSULATOR RESISTANCE: 5 G OHMS.  
 WORKING VOLTAGE: 300 V r.m.s.  
 TEMPERATURE RANGE: -55°C TO 125°C.
- DIMENSIONS ARE IN INCHES [MILLIMETERS].

 <b>POSITRONIC INDUSTRIES INC.</b> www.connectpositronic.com		SCALE		DRAWN BY	
DECIMAL TOL. ± 0.015 [0.38]		CBD SERIES		N.T.S.	
ANGULAR TOL. ± 5°		DATE 4-2-04		DRAWING NUMBER SK5386	
TITLE CBD3W3M55R8N0Z		APPROVED BY		YK	
		REV.		NC	