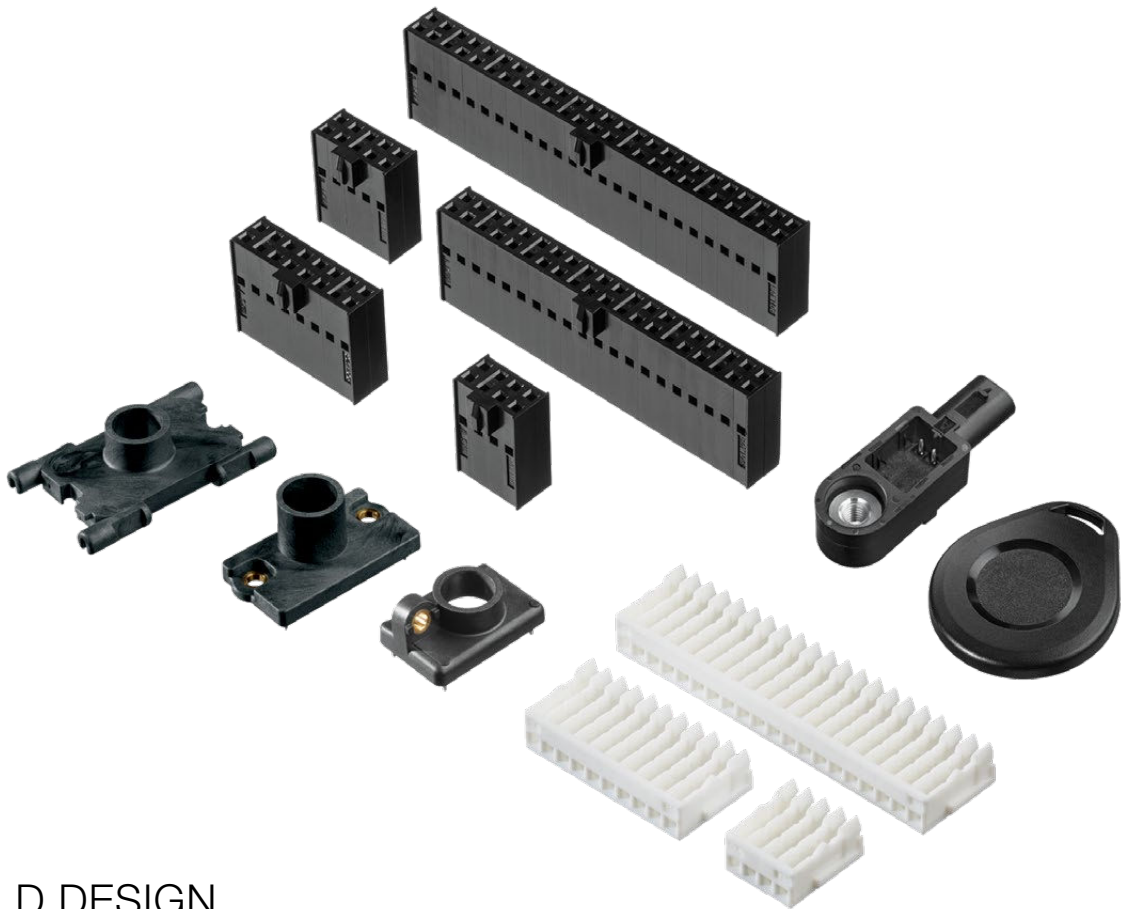


# ENGINEERED PLASTICS



- MOLD DESIGN
- MOLD FABRICATION
- PRECISION MOLDING



**Positronic**<sup>®</sup>  
an Amphenol company

THE SCIENCE OF **CERTAINTY**<sup>™</sup>

M013 18-03

# At the forefront of precision molding since 1966

Manufacturing facilities totaling nearly 50,000 square feet to deliver quality precision plastic parts worldwide.

## CERTIFICATIONS

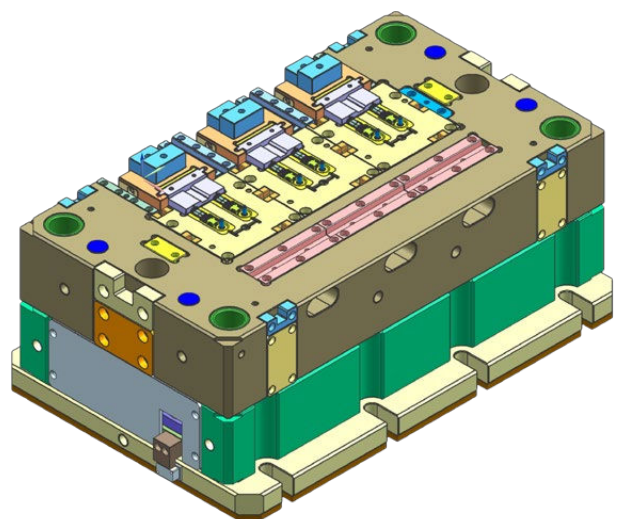
- ISO 9001: 2015
- IATF 16949: 2016
- ISO 14001: 2015

## OUR SERVICES

- Engineering consultation
- Prototype testing
- Design for manufacturing
- Mold design and fabrication for LCP, PBT, PPO, nylon among others
- Plastic components with precise tolerances down to 0.03mm
- Plastic component sizes up to 200mm x 200mm and larger (weight up to 150g)
- Insert molded components
- Robust QMS

## DESIGN CAPABILITIES

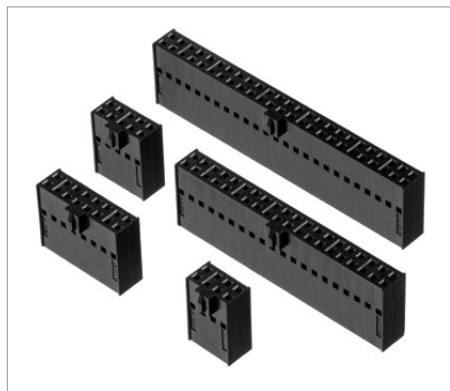
We utilize the latest 3D software to design our mold tooling.



## APPLICATION FOCUS

### Interconnects

- Molding capability in LCP, PBT, PPO, nylon among others
- Precision wall thicknesses and pitch down to 0.6mm



### Capacitor Boxes

- Precision wall thicknesses down to 0.3mm
- Mold cavitation exceeding 100 cavities



### Automotive Components

- IATF Certified
- Highly qualified engineering team



Airbag sensor housing



Camera lens housing for autonomous vehicle



Key fob cover

# Equipment



Photo courtesy of Engel

## TOOLING EQUIPMENT

---

### EDM

Agie-Charmilles  
Sodick

### CNC Milling

Deckel Maho  
Hwacheon

### Measuring

Mitutoyo  
Smartscope

### Superdrill

Sodick

### Grinding

Mitsui  
Okamoto  
Jones & Shipman  
Parker Majestic  
Excel

### Milling

ESK

### Lathe

Leblond Makino

## MOLDING EQUIPMENT

---

**35+ machines from Engel, Sumitomo,  
Nissei, Toshiba and Multiplas.**

### Horizontal Injection Molding

From 50-230 ton

### Vertical Injection Molding

From 55-100 ton

#### Positronic | Americas

1325 N Eldon Ave  
Springfield MO 65803 USA  
+1 800 641 4054  
info@connectpositronic.com

#### Positronic | Europe

46 route d'Engachies  
F-32020 Auch Cedex 9 France  
+33 5 6263 4491  
contact@connectpositronic.com

#### Positronic | Asia

3014A Ubi Rd 1 #07-01  
Singapore 408703  
+65 6842 1419  
singapore@connectpositronic.com

#### Sales Offices

Positronic has local sales  
representation all over the world.  
For the nearest sales office visit  
[www.connectpositronic.com/sales](http://www.connectpositronic.com/sales)