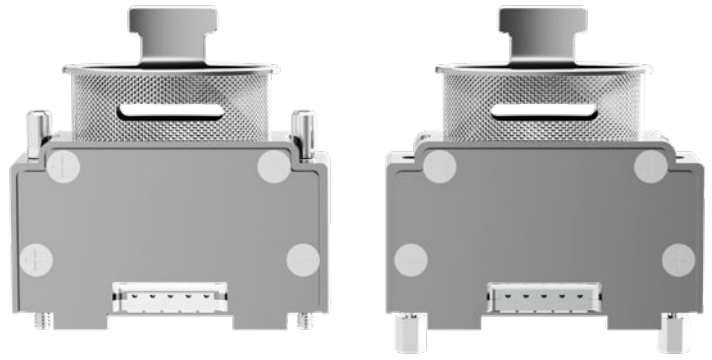


# EL LOW PROFILE ALUMINUM BACKSHELL



**ELNE3**  
Rotating male jackscrew, internal hex

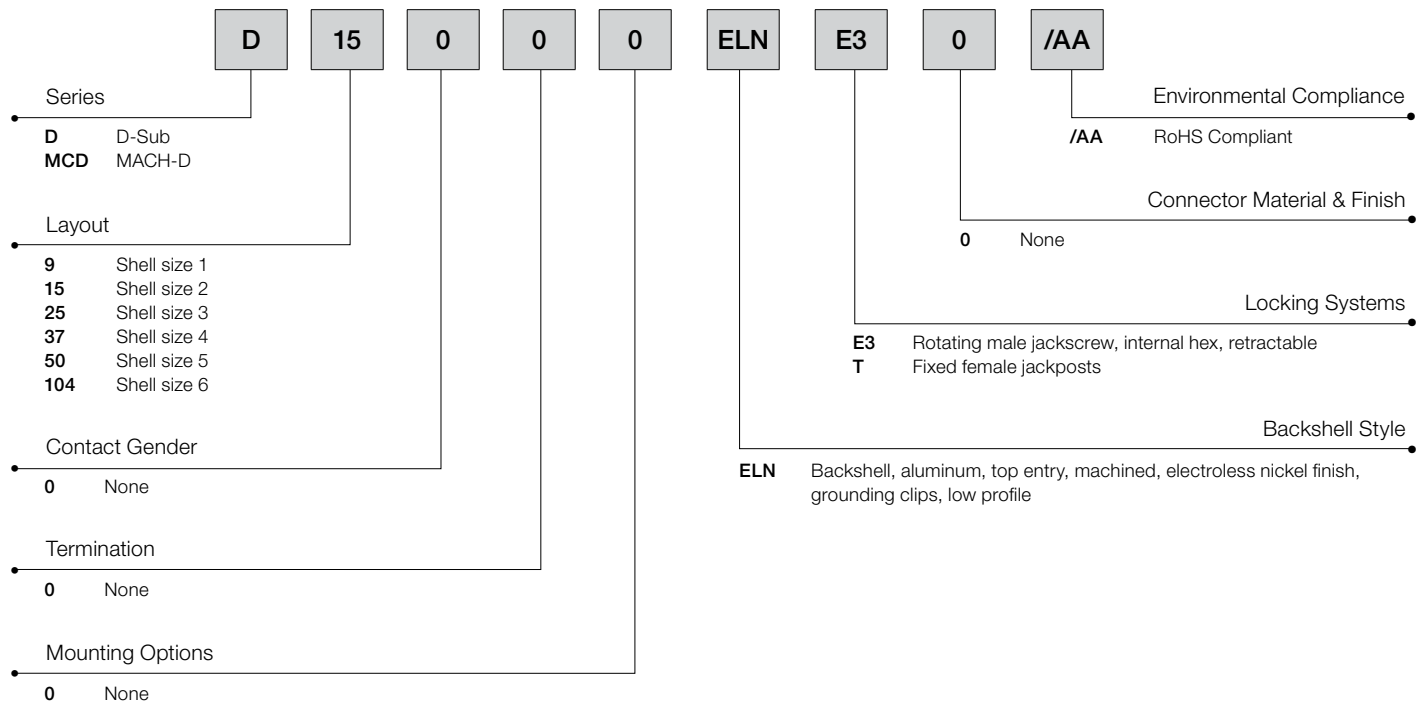
**ELNT**  
Fixed female jackposts

## FEATURES

- Suitable for machined and stamped D-Sub connectors, including the Mach-D Series
- Available in sizes 9, 15, 25, 37, 50, 104
- Banded top elliptical entry, knurled with tie wrap
- Low profile
- Metal backshell offers EMI protection
- Includes grounding strip and conductive gasket
- Re-openable
- Full metal captive jackscrews UNC 4-40 standard, M3 available
- Suitable for robust use
- Machined lightweight aluminum
- Customizable

## TECH SPECS

Performance Level	Mil/Aero / Spaceflight / Industrial
RoHS Compliance	Compliant
Material	Aluminum, electroless nickel plate
Jackscrews	Stainless steel, passivated
Cable Orientation	Top entry
Grounding Clip	Beryllium copper
Screws	Stainless steel, passivated
Operating Temperature	-60°C to +204°C



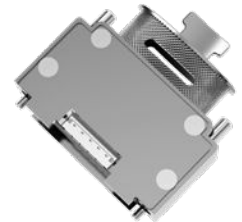
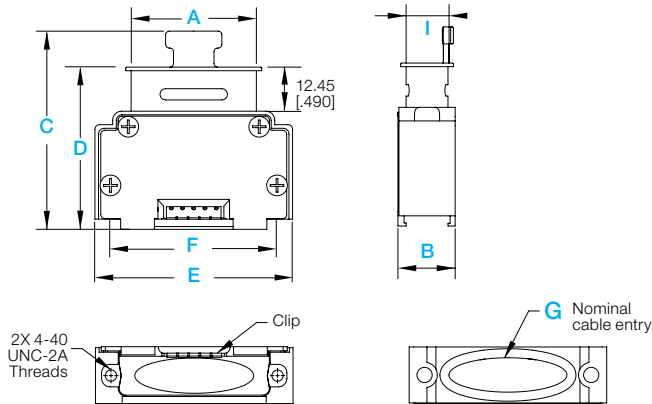
### LIGHTWEIGHT ALUMINUM BACKSHELLS

For the sake of brevity, only basic dimensions are shown here. Full dimensional detail is available in the respective product drawings.

For use with code E3 or T

#### EL

Backshell, aluminum, top entry<sup>1</sup>, machined, electroless nickel finish, grounding clips, low profile



EL backshell shown with E3 option



EL backshell shown with T option

Dimensions are in millimeters [inches]

PART NUMBER	Connector / Contact Arrangement Compatibility	Shell Size	A	B	C	D	E	F	G Cable Entry	I	Total Mass <sup>*1</sup>
D9000ELNE30 D9000ELNT0 MCD9000ELNE30 MCD9000ELNT0	Std-D: 9 High-D: 15	1	13.31 [.524]	16.08 [.633]	55.96 [2.203]	45.80 [1.803]	33.58 [1.322]	24.99 [.984]	11.28 X 9.73 [.444 X .383]	11.76 [.463]	30.9 grams <sup>*1</sup>
D15000ELNE30 D15000ELNT0 MCD15000ELNE30 MCD15000ELNT0	Std-D: 15 High-D: 26	2	21.64 [.852]	16.08 [.633]	55.96 [2.203]	45.80 [1.803]	41.91 [1.650]	33.32 [1.312]	19.61 X 9.73 [.772 X .383]	11.76 [.463]	35.4 grams <sup>*1</sup>
D25000ELNE30 D25000ELNT0 MCD25000ELNE30 MCD25000ELNT0	Std-D: 25 High-D: 44	3	35.36 [1.392]	16.08 [.633]	55.96 [2.203]	45.80 [1.803]	55.80 [2.197]	47.04 [1.852]	33.32 X 9.73 [1.312 X .383]	11.76 [.463]	42.8 grams <sup>*1</sup>
D37000ELNE30 D37000ELNT0 MCD37000ELNE30 MCD37000ELNT0	Std-D: 37 High-D: 62	4	51.82 [2.040]	16.08 [.633]	55.96 [2.203]	45.80 [1.803]	72.26 [2.845]	63.50 [2.500]	49.78 X 9.73 [1.960 X .383]	11.76 [.463]	51.0 grams <sup>*1</sup>
D50000ELNE30 D50000ELNT0 MCD50000ELNE30 MCD50000ELNT0	Std-D: 50 High-D: 78	5	49.43 [1.946]	18.92 [.745]	55.96 [2.203]	45.80 [1.803]	69.88 [2.751]	61.11 [2.406]	47.39 X 12.57 [1.866 X .495]	11.76 [.463]	54.1 grams <sup>*1</sup>
D104000ELNE30 D104000ELNT0 MCD104000ELNE30 MCD104000ELNT0	Std-D: n/a High-D: 104	6	51.84 [2.041]	20.50 [.807]	55.96 [2.203]	45.80 [1.803]	72.26 [2.845]	63.50 [2.500]	49.78 X 14.15 [1.960 X .557]	16.20 [.638]	57.0 grams <sup>*1</sup>

\*1 <sup>\*</sup>Total Mass shown is for D#000ELNT0 configuration. For Total Mass of E3 jackscrew option, add 1.0 grams to the listed value.

#### Positronic | Americas

1325 N Eldon Ave  
Springfield MO 65803 USA  
+1 800 641 4054  
info@connectpositronic.com

#### Positronic | Europe

46 route d'Engachies  
F-32020 Auch Cedex 9 France  
+33 5 6263 4491  
contact@connectpositronic.com

#### Positronic | Asia

3014A Ubi Rd 1 #07-01  
Singapore 408703  
+65 6842 1419  
singapore@connectpositronic.com

#### Sales Offices

Positronic has local sales representation all over the world.

For the nearest sales office visit [www.connectpositronic.com/sales](http://www.connectpositronic.com/sales)