

# C O M B O - D

D-subminiature Connectors



**Positronic**<sup>®</sup>  
an Amphenol company



**SIGNAL, POWER, AIR,  
SHIELDED, THERMOCOUPLE OR  
HIGH VOLTAGE CONTACTS  
IN A SINGLE PACKAGE**

# Connector Excellence®

**Positronic Provides Complete Capability**

## Mission Statement

*"To utilize product flexibility and application assistance to present quality interconnect solutions which represent value to customers worldwide."*

## Experience

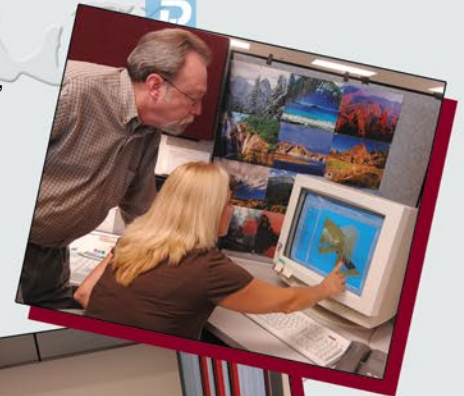
- Founded in **1966**
- **Involvement** in the development of international connector specifications through EIA®, IEC and ISO as well as PICMG®.
- Introduction of new and **unique connector products** to the electronics industry.
- Patent holder for many **unique connector features and manufacturing techniques**.
- **Vertically integrated** manufacturing – raw materials to finished connectors.

## Technology

- **Expertise** with solid machined contacts provides a variety of high reliability connectors including high current density power connectors.
- Quality Assurance lab is **capable of testing** to IEC, EIA, UL, CUL, military and customer-specified requirements.
- **In-house design and development** of connectors based on market need or individual customer requirements.
- **Internal manufacturing capabilities** include automatic precision contact machining, injection molding, stamping, plating operations and connector assembly.
- **Manufacturing locations** in southwest Missouri, U.S.A. (headquarters); Puerto Rico, France, China, Singapore, and India. Total square footage: 407,441.

## Support

- **Quality Systems:** Select locations qualified to ISO 9001, ISO 14001, AS9100, MIL-STD-790 and customer "dock to stock" programs. Applicable products qualified to MIL-DTL-24308, AS39029, DSCC 85039, MIL-DTL-28748, Space D32, GSFC S-311-P-4 and GSFC S-311-P-10.
- Compliance to a variety of international and customer specific **environmental requirements**.
- Large **in-house inventory** of finished connectors. Customer specific **stocking programs**.
- Factory direct **technical sales support** in major cities worldwide.
- **One-on-one customer support** from worldwide factory locations.
- World class **web site**.
- **Value-added solutions** and willingness to **develop custom products** with reasonable price and delivery.



## Regional Headquarters

Springfield, MO



Auch, France



Singapore



Products described within this catalog may be protected by one or more of the following US patents:

#4,900,261† #5,255,580 #5,329,697  
#6,260,268 #6,835,079 #7,115,002

†Patented in Canada, 1992 Other Patents Pending

Positronic Industries' **FEDERAL SUPPLY CODE** (Cage Code)  
FOR MANUFACTURERS is **28198**

Unless otherwise specified, **dimensional tolerances are:**

- 1) ±0.001 inches [0.03 mm] for male contact mating diameters.
- 2) ±0.003 inches [0.08 mm] for contact termination diameters.
- 3) ±0.005 inches [0.13 mm] for all other diameters.
- 4) ±0.015 inches [0.38 mm] for all other dimensions.

**POSITRONIC® IS AN ITAR REGISTERED COMPANY**

Information in this catalog is proprietary to Positronic and its subsidiaries. Positronic believes the data contained herein to be reliable. Since the technical information is given free of charge, the user employs such information at his own discretion and risk. Positronic Industries assumes no responsibility for results obtained or damages incurred from use of such information in whole or in part.

The following trademarks are registered to Positronic Industries, Inc. in the United States and many other countries: Positronic Industries, Inc.®, Positronic®, Connector Excellence®, P+ logo®, PosiBand®, PosiShop®, Positronic Global Connector Solutions®, Global Connector Solutions®. The color blue as it appears on various connectors is a trademark of Positronic Industries, Inc., Registered in U.S. Patent and Trademark Office.

# CONNECTOR DESCRIPTIONS



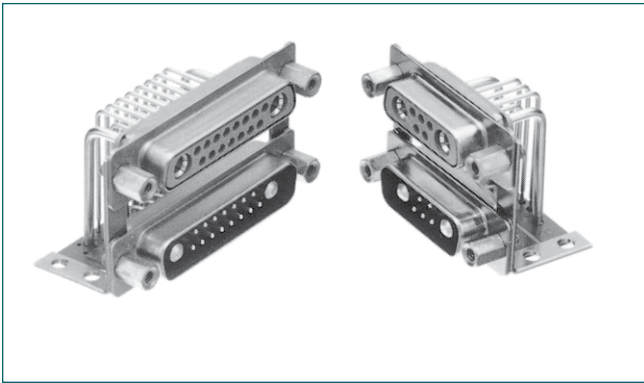
## COMBINATION D-SUBMINIATURE STANDARD AND HIGH DENSITY

CB series connectors are available in standard density versions, which have fixed size 20 signal contacts and size 8 power, shielded, high voltage and air contacts. High density CB series connectors offer fixed size 22 signal contacts, size 8 contacts or size 16 power contacts. These connectors are available in various performance levels for best cost/performance ratio. Thermocouple contact options are also available.



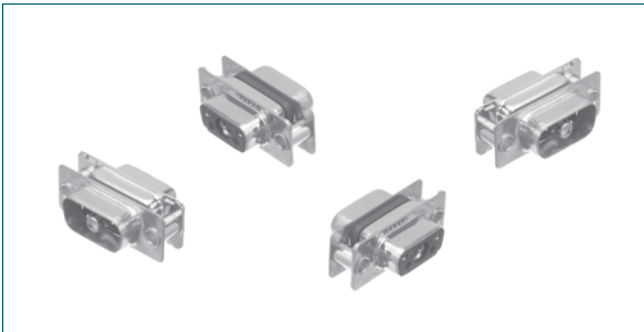
## COMBINATION D-SUBMINIATURE CRIMP CONTACTS STANDARD AND HIGH DENSITY

CBC series connectors offer crimp removable contacts for signal, power, shielded, high voltage and air contacts applications. These connectors are available in standard and high density versions. Thermocouple contact options are also available.



## COMBINATION CONTACT DUAL PORT CONNECTORS

CBDP series. Offers seventeen different combinations of power and signal contact stacked assemblies. Size 20 signal contacts and size 8 power contacts.



## COMBO-D CONNECTOR SAVERS - ACBDP and ACBMP SERIES

ACBDP and ACBMP series. Combo-D connector savers with size 20 and size 8 contacts. Available for all standard Combo-D variants in shell sizes 1 through 6.



### GENERAL INFORMATION

Temperature Rise Curves ..... 1-2

### CBD / CBM SERIES

CBD/CBM Series Introduction ..... 3

Technical Characteristics ..... 4

Contact Variants ..... 5

Standard Shell Assembly ..... 6

Code 2 Solder Cup Connector and  
Code 3, 35, 36 and 37 Straight Printed Board Mount Connector ..... 7

Code 5, 55 and 57 Right Angle (90°) Printed Board Mount Connector ..... 8

Code 5, 55 and 57 Shell Size 6 - Right Angle (90°) Printed Board Mount Connector ..... 9

Code 7, 75 and 77 Metric System Right Angle (90°) Printed Board Mount Connector ..... 10

Right Angle (90°) and Straight Printed Contact Hole Pattern with  
0.078 [1.98]  $\phi$ , 0.094 [2.39]  $\phi$  and 0.125 [3.18]  $\phi$  Power Contacts ..... 11-12

Right Angle (90°) Printed Board Contact Hole Pattern with 0.125 [3.18]  $\phi$  Power Contacts ..... 13-14

Code 65 Straight Printed Board Mount Connector with FDS4201D or MDS4201D Shielded Contacts and  
Code 85 Right Angle (90°) Printed Board Mount Connector with FDS4201D or MDS4201D Shielded Contacts ..... 15

Straight Printed Board Mount Contact Hole Pattern with  
FDS4201D and MDS4201D Shielded Contacts ..... 16-17

Right Angle (90°) Printed Board Mount Contact Hole Pattern with  
FRT4201D and MRT4201D Shielded Contacts ..... 18-19

Code 93 Compliant Press-fit Connector and Temperature Rise Curve ..... 20

Ordering Information ..... 21

### CBC SERIES

CBC Series Introduction ..... 22

Technical Characteristics ..... 23

Contact Variants ..... 24

Standard Shell Assembly ..... 25

Ordering Information ..... 26

### CBDD / CBHD SERIES

CBDD/CBHD Series Introduction and Technical Characteristics ..... 27-28

Contact Variants ..... 28

Standard Shell Assembly ..... 29

Code 21 Solder Cup Connector and  
Code 3, 35, 36 and 37 Straight Printed Board Mount Connector ..... 30

Code 4, 45 and 47 Right Angle (90°) Printed Board Mount Connector ..... 31-33

Code 65 Straight Printed Board Mount Connector with FDS4201D or MDS4201D Shielded Contacts and  
Code 84 Right Angle (90°) Printed Board Mount Connector with FRT4201D or MRT4201D Shielded Contacts ..... 34

Code 85 Right Angle (90°) Printed Board Mount Connector with FRT4201D or MRT4201D Shielded Contacts and  
Code 93 Compliant Press-Fit Connector ..... 35

Printed Board Mount Contact Hole Pattern ..... 36

Ordering Information ..... 37-38



**C B C D S E R I E S**

CBCD Series Introduction .....	39
Technical Characteristics .....	39-40
Contact Variants .....	40
Standard Shell Assembly .....	41
Ordering Information .....	42

**C B D P B / C B D P C S E R I E S**

Combo-Dual Port Series Introduction .....	43
Technical Characteristics .....	43-44
Contact Variants .....	44
Right Angle (90°) Printed Board Mount Connector .....	45
Right Angle (90°) Printed Board Mount Contact Hole Pattern .....	46-47
Ordering Information .....	48

**C O N N E C T O R S A V E R S**

ACBDP/ACBMP Series Introduction .....	49
Technical Characteristics .....	50
ACBDP/ACBMP Series Size 20 and Size 8 Contact Variants .....	50
Male to Female Connector Saver and Jackscrew Systems .....	51
Ordering Information .....	52

**U N I Q U E F E A T U R E S**

Unique Features Introduction and Sequential Mating Contacts .....	53
Size 8 Contact Stabilization Feature .....	54
Combo-D Connectors with 100 AMP High Current Removable Crimp Power Contacts Technical Characteristics and 100 AMP High Current Removable Crimp Power Contacts (for use with 8 AWG wire) .....	55
Selectively Loaded Combo-D Connectors for use with 100 AMP High Current Removable Crimp Power Contacts and Temperature Rise Curve .....	56
Size 8 Straight Printed Board Mount High Voltage Contact .....	57
Size 8 Right Angle (90°) Printed Board Mount High Voltage Contact .....	57
Size 8 Bus Bar Power Contacts .....	58
Size 8 Integral Blind Mate Guide .....	58
Customer Specified Contact Termination Length .....	59

continued on next page . . .



### REMOVABLE CONTACTS

Removable Contact Technical Characteristics .....	60-61
What makes PosiBand® contact interface significant .....	61
Size 22 Crimp and Removable Signal Crimp Contacts.....	62-63
Size 22 Removable Thermocouple Signal Crimp Contact .....	63
Size 20 Crimp and Removable Crimp Signal Contact .....	64-65
Size 20 Removable Thermocouple Crimp Signal Contact .....	66
Size 16 Removable Crimp Power Contacts .....	66
Size 8 Removable Crimp Power Contacts .....	67
Size 8 Removable Solder Cup Power Contacts.....	67
Size 8 Removable High Voltage Power Contacts .....	68
Size 8 Straight Printed Board Mount Power Contact .....	68
Size 8 Right Angle (90°) Printed Board Power Contact .....	69
Size 8 Removable Shielded Contact .....	70
Size 8 Straight Printed Board Mount Shielded Contact .....	71
Size 8 Right Angle (90°) Printed Board Shielded Contact .....	71

### SPECIAL OPTIONS

Modification (MOS) Suffixes .....	72
-----------------------------------	----

### APPLICATION TOOLS

Introduction .....	73
Contact Application Tools Cross Reference List .....	74-75
Suggested Printed Board Hole Sizes For Compliant Press-Fit Connectors.....	76
Compliant Press-Fit Connector Installation Tools.....	77

### QPL LISTING

Positronic offers a wide variety of QPL connector products .....	78
--	----



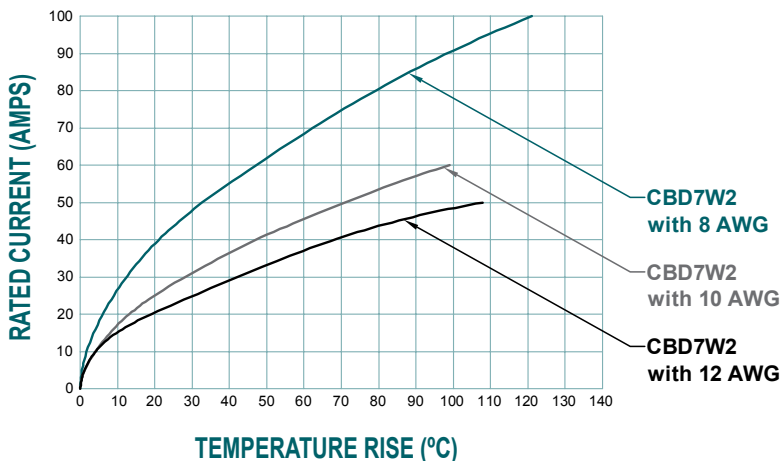
Positronic  
connectpositronic.com

GENERAL INFORMATION

Combo-D  
D-Sub

TEMPERATURE RISE CURVES FOR SIZE 8, 10 AND 12 AWG WIRE

7W2



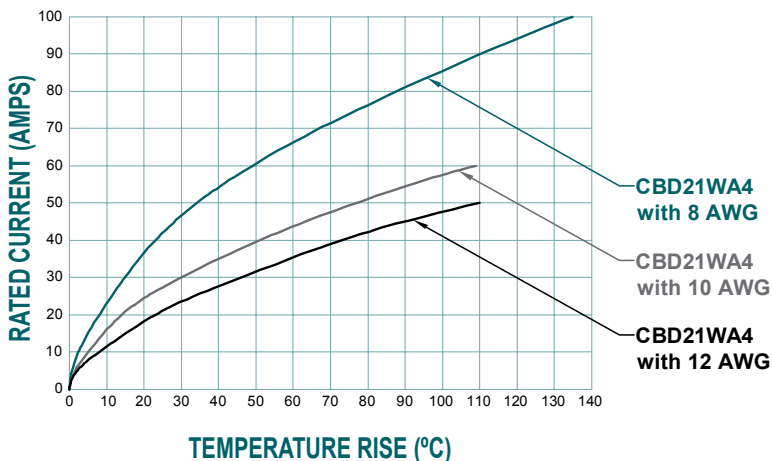
**Test conducted in accordance with UL1977.**  
**All power contacts under load.**

- MC4008D:** Curve developed using a mated CBD7W2F57 and CBC7W2M loaded with MC4008D contacts terminated to 8 AWG wire.
- MC4010D:** Curve developed using a mated CBD7W2F36 and CBC7W2M loaded with MC4010D contacts terminated to 10 AWG wire.
- MC4012D:** Curve developed using a mated CBD7W2F55 and CBC7W2M loaded with MC4012D contacts terminated to 12 AWG wire.

21WA4

**Test conducted in accordance with UL1977.**  
**All power contacts under load.**

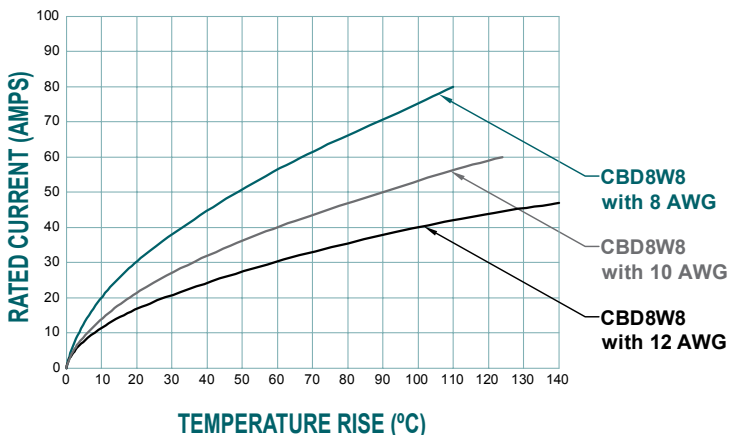
- MC4008D:** Curve developed using a mated CBD21WA4F57 and CBC21WA4M loaded with MC4008D contacts terminated to 8 AWG wire.
- MC4010D:** Curve developed using a mated CBD21WA4F36 and CBC21WA4M loaded with MC4010D contacts terminated to 10 AWG wire.
- MC4012D:** Curve developed using a mated CBD21WA4F55 and CBC21WA4M loaded with MC4012D contacts terminated to 12 AWG wire.



8W8

**Test conducted in accordance with UL1977.**  
**All power contacts under load.**

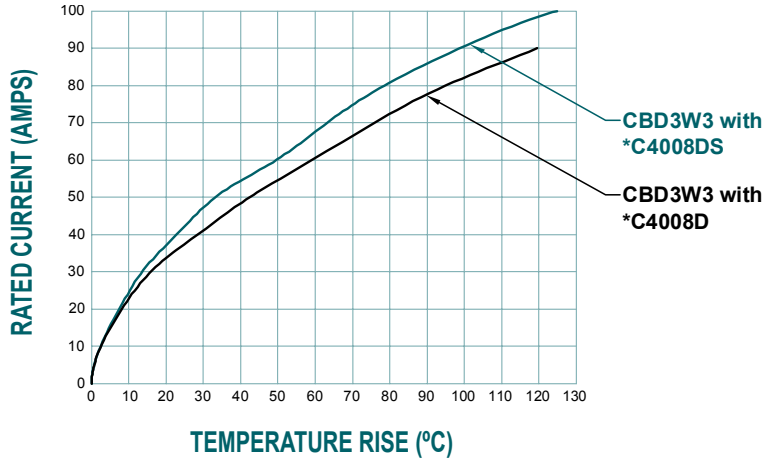
- MC4008D:** Curve developed using a mated CBD8W8F57 and CBC8W8M loaded with MC4008D contacts terminated to 8 AWG wire.
- MC4010D:** Curve developed using a mated CBD8W8F36 and CBC8W8M loaded with MC4010D contacts terminated to 10 AWG wire.
- MC4012D:** Curve developed using a mated CBD8W8F55 and CBC8W8M loaded with MC4012D contacts terminated to 12 AWG wire.





**TEMPERATURE RISE CURVE FOR STANDARD AND HIGH CONDUCTIVITY CONTACT MATERIAL**

3W3



**Test conducted in accordance with UL1977.  
All power contacts under load.**

**Standard Material:** Curve developed using a mated CBD3W3F loaded with FC4008D contacts and CBD3W3M loaded with MC4008D contacts terminated to 8 AWG wire.

**High Conductivity:** Curve developed using a mated CBD3W3F loaded with FC4008DS contacts and CBD3W3M loaded with MC4008DS contacts terminated to 8 AWG wire.

\* indicates contact gender

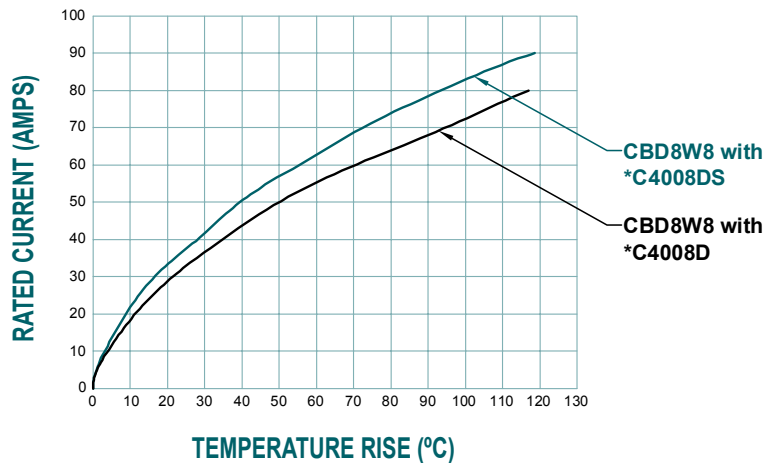
**Test conducted in accordance with UL1977.  
All power contacts under load.**

**Standard Material:** Curve developed using a mated CBD8W8F loaded with FC4008D contacts and CBD8W8M loaded with MC4008D contacts terminated to 8 AWG wire.

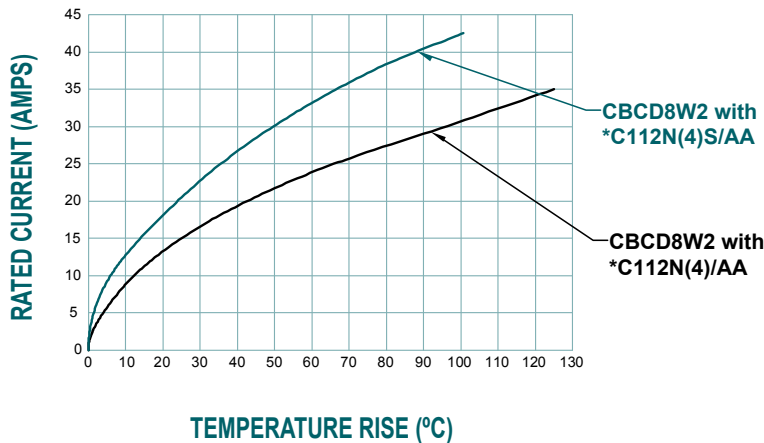
**High Conductivity:** Curve developed using a mated CBD8W8F loaded with FC4008DS contacts and CBD8W8M loaded with MC4008DS contacts terminated to 8 AWG wire.

\* indicates contact gender

8W8



HIGH DENSITY 8W2



**Test conducted in accordance with UL1977.  
All power contacts under load.**

**Standard Material:** Curve developed using a mated CBCD8W2M loaded with MC112N/AA-133.0 contacts and CBCD8W2S loaded with FC112N4/AA contacts terminated to 12 AWG wire.

**High Conductivity:** Curve developed using a mated CBCD8W2M loaded with MC112NS-133.0 contacts and CBCD8W2S loaded with FC112N4S/AA contacts terminated to 12 AWG wire.



Positronic  
connectpositronic.com

**PROFESSIONAL, INDUSTRIAL AND MILITARY QUALITY**  
**THREE PERFORMANCE LEVELS FOR BEST COST/PERFORMANCE RATIO**  
**STANDARD DENSITY PCB MOUNT**

**Combo-D**  
**D-Sub**

**Size 20 Fixed Signal and  
Thermocouple Contacts**  
**Size 8 Removable Power, Shielded,  
Air and High Voltage Contacts**

**UL Recognized**    **CSA Recognized**  
**File #E49351**    **File #LR54219**

**DSCC 85039**

**Telecommunication UL File #E140980**



Combo-D series connectors permit mixed contact combinations of power, shielded, air, high voltage and signal contacts within the same connector body. Twenty-two connector variants are offered in six standard shell sizes.

Three performance levels of Combo-D series connectors are offered: professional, industrial and military. CBD series connectors are quality connectors recommended for use in sheltered, non-corrosive indoor and outdoor environments having normal ventilation, but without temperature or humidity controls. Signal contacts are offered with open entry professional level or PosiBand closed entry industrial level signal contacts. CBD series connectors meet performance requirements of IEC 60807-2, Performance Level One or Two. CBM series connectors are military quality connectors recommended for use in sheltered, mildly corrosive environments having a wide range of temperature, pressure and humidity changes. CBM series connectors will meet the applicable performance requirements of DSCC 85039.

Combo-D series connectors utilize precision machined signal contacts. Connector variants are available with contact terminations for solder and straight and right angle (90°) printed board mount terminations featuring a choice of inch or metric printed board footprints.

Power, shielded and high voltage contacts are removable, having solder and straight and right angle (90°) printed board mount terminations. Power and shielded contacts are available with crimp terminations.

For low level shielding requirements, ferrite inductors may be attached to both signal and power contacts of connectors having contact terminations which are straight or right angle (90°) for printed board mounting applications. For additional information contact Technical Sales.

The female power contacts feature the Large Surface Area (L.S.A.) closed entry contact design which provides maximum mating surfaces between male and female contacts and reduced contact resistance during operation.

A wide assortment of printed board mounting hardware, cable support hoods, and locking systems is available from stock.

A blind mating system is available for applications requiring connector coupling in recessed areas or mobile power coupling systems.

Straight and right angle (90°) PCB mount thermocouple contacts are available, please contact Technical Sales for details.

**CBD/CBM SERIES**



## TECHNICAL CHARACTERISTICS

### MATERIALS AND FINISHES:

<b>Insulator:</b>	Glass filled polyester per ASTM D 5927 UL 94V-0, blue color, and composite.
<b>Contacts:</b>	Precision machined copper alloy.
<b>Contact Plating:</b>	
<b>SIGNAL:</b>	Gold flash over nickel plate and gold 0.000050 [1.27µ] over nickel plate. Other finishes available upon request, see page 72.
<b>POWER:</b>	Gold flash over nickel. Other finishes available upon request, see page 72.
<b>SHIELDED:</b>	For contact platings, see page 60.
<b>HIGH VOLTAGE:</b>	For contact platings, see page 60.
<b>Shells:</b>	Steel with tin plate; zinc plate; stainless steel passivated. Other materials and finishes available upon request.
<b>Mounting Spacers and Brackets:</b>	Nylon; polyester; copper alloy or steel with zinc plate or tin plate; phosphor bronze with tin plate; stainless steel, passivated.
<b>Push-On Fasteners:</b>	Phosphor bronze and beryllium copper with tin plate.
<b>Jackscrew Systems:</b>	Brass or steel with zinc plate or clear zinc plate or tin plate; stainless steel, passivated.
<b>Hoods:</b>	Composite and plastic, UL 94V-0; brass or steel with zinc plate. Aluminum; aluminum with electroless nickel plate. For aluminum hoods, zinc content is 1% maximum. Die cast zinc.

Non-magnetic versions are available, contact Technical Sales.

### MECHANICAL CHARACTERISTICS:

<b>Signal Contacts, Fixed:</b>	Size 20 contacts, male - 0.040 inch [1.02mm] diameter. CBD series has open entry female contacts. PosiBand closed entry female options are also available. CBM series has PosiBand closed entry female contacts, see page 60 for details.
<b>Contact Retention in Insulator:</b>	Signal: 9 lbs. [40N]. Power, shielded and high voltage: 22 lbs [98N].
<b>Resistance to Solder Iron Heat:</b>	500°F [260°C] for 10 seconds duration per IEC 60512-6.
<b>Signal Contact Terminations:</b>	Solder contacts - 0.042 inch [1.06mm] minimum hole diameter for 20 AWG [0.5 mm <sup>2</sup> ] wire maximum. Straight Printed Board Mount - 0.028 inch [0.71mm] termination diameter. Right Angle (90°) Printed Board Mount - 0.028 inch [0.71 mm] termination diameter.
<b>Power Contacts, Removable, Crimp or Solder Termination:</b>	Size 8 contact, male - 0.142 inch [3.61mm] mating diameter. Terminations for 6, 8, 10, 12, and 16 AWG. Female contact features Large Surface Area (L.S.A.) closed entry contact design utilizing BeCu mechanical retention member. Closed crimp barrel.
<b>Power Contacts, Printed Board Mount:</b>	Size 8 contact, male - 0.142 inch [3.61mm] mating diameter. Printed board terminations with 0.078 inch [1.98mm], 0.094 inch [2.39mm] and 0.125 inch [3.18mm] termination diameters.
<b>Shielded Contacts, Removable:</b>	See table of cable sizes for contact termination dimensions, page 70.

<b>High Voltage Contacts:</b>	Straight and right angle (90°) terminations - 0.041 inch [1.04mm] minimum hole diameter.
<b>Shells:</b>	Male shells may be dimpled for EMI/ESD ground paths.
<b>Polarization:</b>	Trapezoidally shaped shells and polarized jackscrews.
<b>Mounting to Angle Brackets:</b>	Jackscrews and riveted fasteners with 0.120 inch [3.05mm] diameter hole, and threaded riveted fasteners with 4-40 threads and nylon inserts.
<b>Mounting to Printed Board:</b>	Rapid installation push-on fasteners and threaded posts.
<b>Locking Systems:</b>	Jackscrews and vibration locking systems.
<b>Mechanical Operations:</b>	CBD series, open entry contacts, 500 operations. CBD series, PosiBand closed entry and CBM series, 1,000 operations. Per IEC 60512-5.

### ELECTRICAL CHARACTERISTICS:

#### SIZE 20 CONTACTS

<b>Contact Current Rating:</b>	7.5 amperes nominal.
<b>Initial Contact Resistance:</b>	0.008 ohms maximum.
<b>Proof Voltage:</b>	1000 V r.m.s.

#### SIZE 8 CONTACTS

##### POWER CONTACTS

**Contact Current Rating - Tested per UL 1977:**

<b>Standard Contact Material:</b>	
<b>0.078 inches diameter / 12 AWG terminations:</b>	39 amperes.
<b>0.094 inches diameter / 10 AWG terminations:</b>	50 amperes.
<b>0.125 inches diameter / 8 AWG terminations:</b>	70 amperes.

See *Temperature Rise Curves on page 1 for details.*

**High Conductivity Contact Material:**

<b>8 AWG terminations:</b>	80 amperes.
----------------------------	-------------

See *Temperature Rise Curves on page 2 for details.*

**Initial Contact Resistance:**

<b>Standard Contact Material:</b>	0.0005 ohms max. per IEC 60512-2, Test 2b.
-----------------------------------	--

<b>High Conductivity Contact Material:</b>	0.00035 ohms max. per IEC 60512-2, Test 2b.
--	---

<b>Proof Voltage:</b>	1000 V r.m.s.
-----------------------	---------------

#### SHIELDED CONTACTS

For electrical characteristics, see page 61.

#### HIGH VOLTAGE CONTACTS

For electrical characteristics, see page 61.

#### CONNECTOR

<b>Insulation Resistance:</b>	5 G ohms.
<b>Clearance and Creepage Distance:</b>	0.039 [1.0mm] minimum.
<b>Working Voltage:</b>	300 V r.m.s.

#### CLIMATIC CHARACTERISTICS:

<b>Temperature Range:</b>	-55°C to +125°C.
<b>Damp Heat, Steady State:</b>	10 days.

#### THERMOCOUPLE CONTACTS:

Straight and right angle PCB mount contacts are available, please contact Technical Sales for details.

Size 20 crimp contacts are available in CBC series, see page 66 for details.



Positronic  
connectpositronic.com

**PROFESSIONAL, INDUSTRIAL AND MILITARY QUALITY**  
**THREE PERFORMANCE LEVELS FOR BEST COST/PERFORMANCE RATIO**  
**STANDARD DENSITY PCB MOUNT**

**Combo-D**  
**D-Sub**

**CONTACT VARIANTS**

FACE VIEW OF MALE OR REAR VIEW OF FEMALE

— SHELL SIZE 1 —



**\*1 2WK2**



**5W1**

**Note:** Connectors can be kitted with all applicable removable contacts, contact Technical Sales for connector part number.

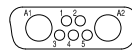
— SHELL SIZE 2 —



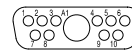
**3W3**



**\*2 3WK3**



**7W2**

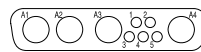


**11W1**

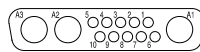
— SHELL SIZE 3 —



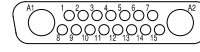
**5W5**



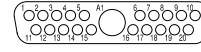
**9W4**



**13W3**

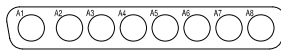


**17W2**

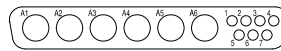


**21W1**

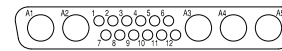
— SHELL SIZE 4 —



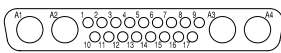
**8W8**



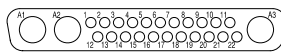
**13W6**



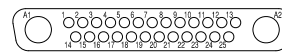
**17W5**



**21WA4**

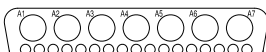


**25W3**

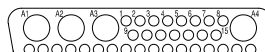


**27W2**

— SHELL SIZE 5 —



**24W7**



**36W4**

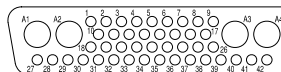


**43W2**



**47W1**

— SHELL SIZE 6 —



**46W4**

**Notes:**

\*1 2WK2 connectors have 1 male and 1 female contacts. Female connector should be loaded with female contact in A2 position.

\*2 3WK3 male variant contains 2 male contacts and 1 female contact. Female variant contains 2 female contacts and 1 male contact



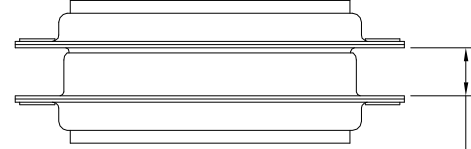
STANDARD SHELL ASSEMBLY



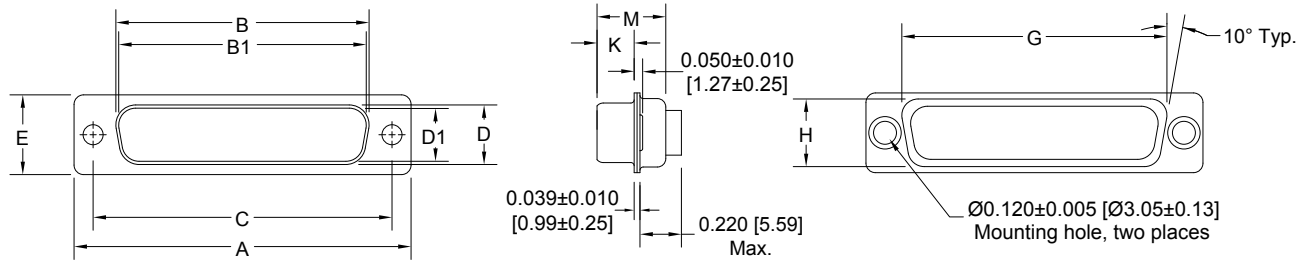
CBD3W3M00000

CBD5W5M00000

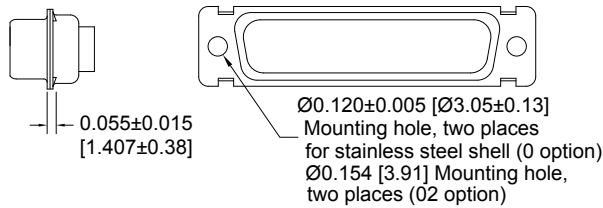
RECOMMENDED MATING DIMENSIONS



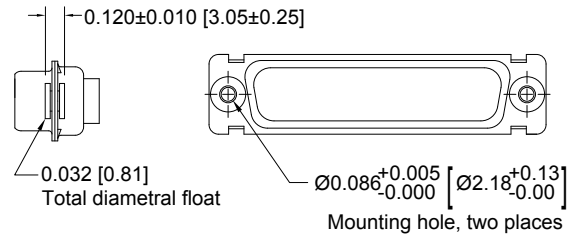
Shell Sizes 1 & 2 =  
0.265±0.015 [6.73±0.38]  
Shell Sizes 3, 4, 5 & 6 =  
0.256±0.015 [6.50±0.38]



OPTIONAL SHELL ASSEMBLY (0, 02)



OPTIONAL SHELL ASSEMBLY WITH UNIVERSAL FLOAT MOUNTS (F)



SHELL SIZES	A ±0.015 [0.38]	B ±0.005 [0.13]	B1 ±0.005 [0.13]	C ±0.005 [0.13]	D ±0.005 [0.13]	D1 ±0.005 [0.13]	E ±0.015 [0.38]	G ±0.010 [0.25]	H ±0.010 [0.25]	K ±0.005 [0.13]	M ±0.010 [0.25]
SHELL SIZE 1 MALE	1.213 [30.81]		0.666 [16.92]	0.984 [24.99]		0.329 [8.36]	0.494 [12.55]	0.759 [19.28]	0.422 [10.72]	0.233 [5.92]	0.422 [10.72]
SHELL SIZE 1 FEMALE	1.213 [30.81]	0.643 [16.33]		0.984 [24.99]	0.311 [7.90]		0.494 [12.55]	0.759 [19.28]	0.422 [10.72]	0.243 [6.17]	0.429 [10.90]
SHELL SIZE 2 MALE	1.541 [39.14]		0.994 [25.25]	1.312 [33.32]		0.329 [8.36]	0.494 [12.55]	1.083 [27.51]	0.422 [10.72]	0.233 [5.92]	0.422 [10.72]
SHELL SIZE 2 FEMALE	1.541 [39.14]	0.971 [24.66]		1.312 [33.32]	0.311 [7.90]		0.494 [12.55]	1.083 [27.51]	0.422 [10.72]	0.243 [6.17]	0.429 [10.90]
SHELL SIZE 3 MALE	2.088 [53.04]		1.534 [38.96]	1.852 [47.04]		0.329 [8.36]	0.494 [12.55]	1.625 [41.28]	0.422 [10.72]	0.230 [5.84]	0.426 [10.82]
SHELL SIZE 3 FEMALE	2.088 [53.04]	1.511 [38.38]		1.852 [47.04]	0.311 [7.90]		0.494 [12.55]	1.625 [41.28]	0.422 [10.72]	0.243 [6.17]	0.429 [10.90]
SHELL SIZE 4 MALE	2.729 [69.32]		2.182 [55.42]	2.500 [63.50]		0.329 [8.36]	0.494 [12.55]	2.272 [57.71]	0.422 [10.72]	0.230 [5.84]	0.426 [10.82]
SHELL SIZE 4 FEMALE	2.729 [69.32]	2.159 [54.84]		2.500 [63.50]	0.311 [7.90]		0.494 [12.55]	2.272 [57.71]	0.422 [10.72]	0.243 [6.17]	0.429 [10.90]
SHELL SIZE 5 MALE	2.635 [66.93]		2.079 [52.81]	2.406 [61.11]		0.441 [11.20]	0.605 [15.37]	2.178 [55.32]	0.534 [13.56]	0.230 [5.84]	0.426 [10.82]
SHELL SIZE 5 FEMALE	2.635 [66.93]	2.064 [52.43]		2.406 [61.11]	0.423 [10.74]		0.605 [15.37]	2.178 [55.32]	0.534 [13.56]	0.243 [6.17]	0.429 [10.90]
SHELL SIZE 6 MALE	2.729 [69.32]		2.212 [56.18]	2.500 [63.50]		0.503 [12.78]	0.668 [16.97]	2.302 [58.47]	0.596 [15.14]	0.230 [5.84]	0.426 [10.82]
SHELL SIZE 6 FEMALE	2.729 [69.32]	2.189 [55.60]		2.500 [63.50]	0.485 [12.32]		0.668 [16.97]	2.302 [58.47]	0.596 [15.14]	0.243 [6.17]	0.429 [10.90]

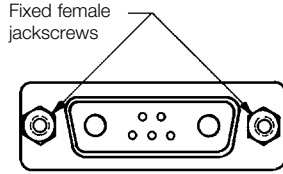
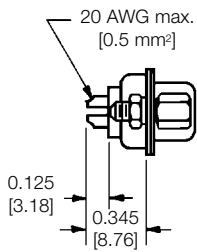


Positronic  
connectpositronic.com

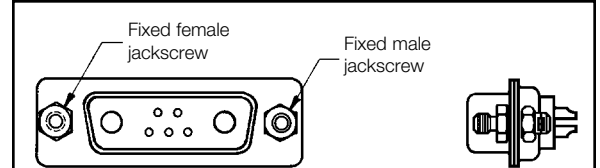
**PROFESSIONAL, INDUSTRIAL AND MILITARY QUALITY**  
**THREE PERFORMANCE LEVELS FOR BEST COST/PERFORMANCE RATIO**  
**STANDARD DENSITY PCB MOUNT**

**Combo-D**  
**D-Sub**

**SOLDER CUP CONNECTOR**  
**CODE 2**



For solder cup contacts, specify code 2 in step 4 of ordering information.



Fixed male and female polarized jackscrews available. Specify code T6 in step 7 of ordering information.

**Typical part number: CBD7W2M200T60**

**Typical part number: CBD7W2M200T0**

CBD/CBM SERIES



**CBD17W2F200E0 with FS4008D contacts.**

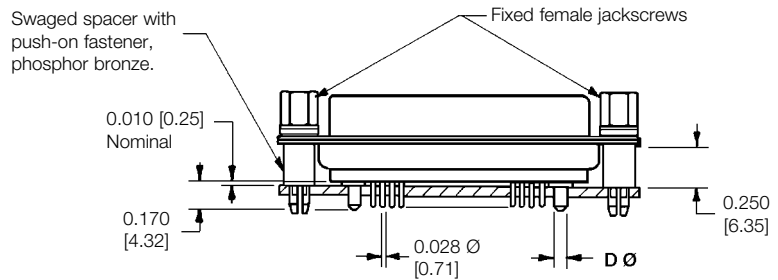
**CBD17W2M55B30T20**

**STRAIGHT PRINTED BOARD MOUNT CONNECTOR**  
**CODE 3, 35, 36 AND 37**

For Code 93 Press-Fit Board Mount Connectors, see page 20.

CONTACT CODE	D Ø
3	-----
35	0.078 [1.98]
36	0.094 [2.39]
37	0.125 [3.18]

For straight printed board mount contacts, specify code no. in step 4 of ordering information.

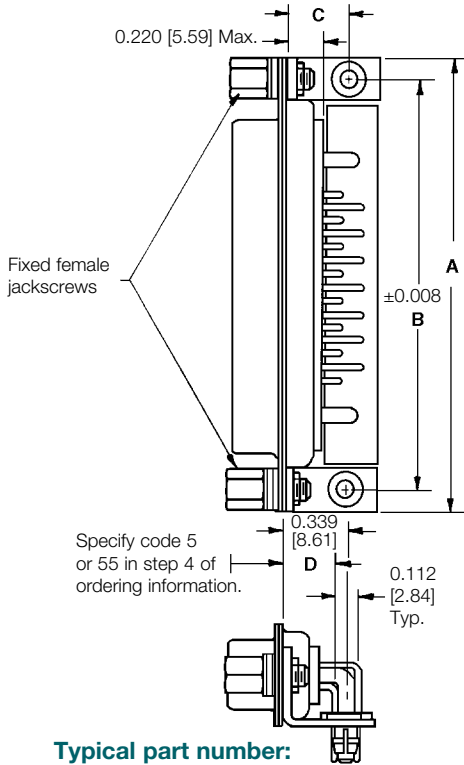


**Typical part number: CBD17W2F35S60T2X**



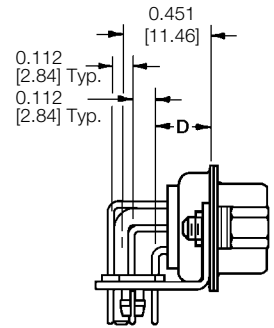
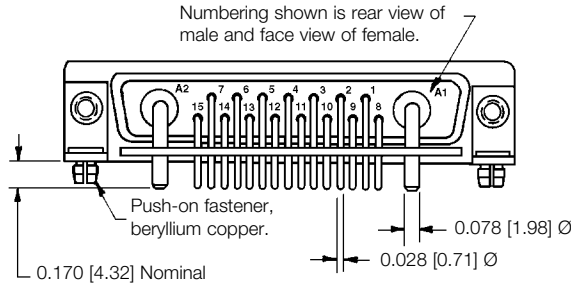
**RIGHT ANGLE (90°) PRINTED BOARD MOUNT CONNECTOR  
WITH 0.078 [1.98] Ø POWER CONTACTS  
CODE 5 AND 55, 0.283 [7.19] CONTACT EXTENSION**

See temperature rise curves on pages 1 and 2



Typical part number:  
**CBD17W2M55R7NT20**

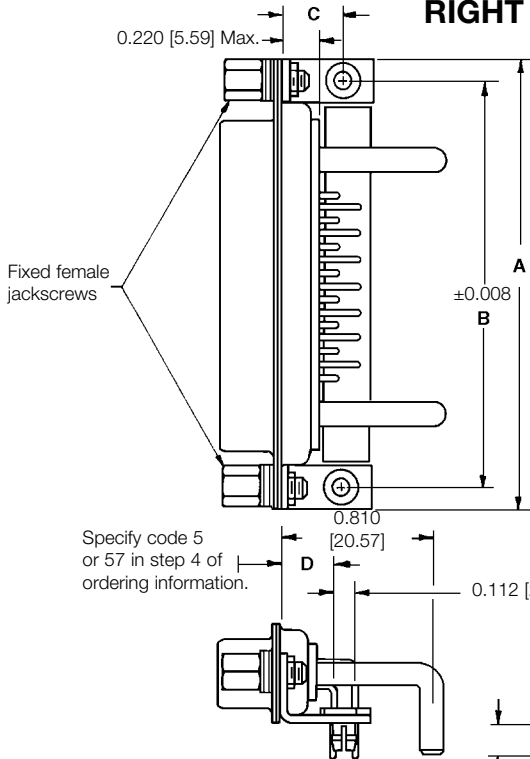
CBD***R7*** 0.283 [7.19] CONTACT EXTENSION				
SHELL SIZE	A	B	C	D
SHELL SIZE 1	1.204 [30.58]	0.984 [24.99]	0.339 [8.61]	0.283 [7.19]
SHELL SIZE 2	1.532 [38.91]	1.312 [33.32]	0.339 [8.61]	0.283 [7.19]
SHELL SIZE 3	2.072 [52.63]	1.852 [47.04]	0.339 [8.61]	0.283 [7.19]
SHELL SIZE 4	2.720 [69.09]	2.500 [63.50]	0.339 [8.61]	0.283 [7.19]
SHELL SIZE 5	2.626 [66.70]	2.406 [61.11]	0.395 [10.03]	0.283 [7.19]



Typical part number:  
**CBD36W4F55R7NT2X**

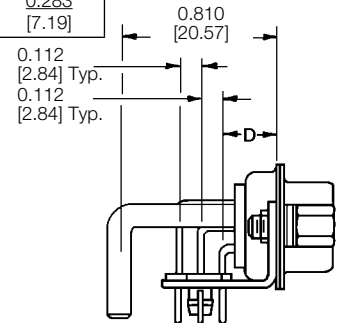
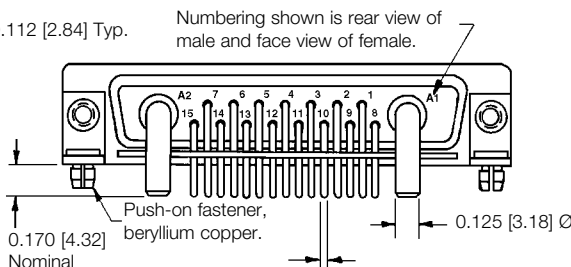
**RIGHT ANGLE (90°) PRINTED BOARD MOUNT CONNECTOR  
WITH 0.125 [3.18] Ø POWER CONTACTS  
CODE 5 AND 57, 0.283 [7.19] CONTACT EXTENSION**

See temperature rise curves on pages 1 and 2.



Typical part number:  
**CBD17W2M57R7NT20**

CBD***R7*** 0.283 [7.19] CONTACT EXTENSION				
SHELL SIZE	A	B	C	D
SHELL SIZE 1	1.204 [30.58]	0.984 [24.99]	0.339 [8.61]	0.283 [7.19]
SHELL SIZE 2	1.532 [38.91]	1.312 [33.32]	0.339 [8.61]	0.283 [7.19]
SHELL SIZE 3	2.072 [52.63]	1.852 [47.04]	0.339 [8.61]	0.283 [7.19]
SHELL SIZE 4	2.720 [69.09]	2.500 [63.50]	0.339 [8.61]	0.283 [7.19]
SHELL SIZE 5	2.626 [66.70]	2.406 [61.11]	0.395 [10.03]	0.283 [7.19]



Typical part number:  
**CBD36W4F57R7NT2X**



Positronic  
connectpositronic.com

**PROFESSIONAL, INDUSTRIAL AND MILITARY QUALITY**  
**THREE PERFORMANCE LEVELS FOR BEST COST/PERFORMANCE RATIO**  
**STANDARD DENSITY PCB MOUNT**

**Combo-D**  
**D-Sub**

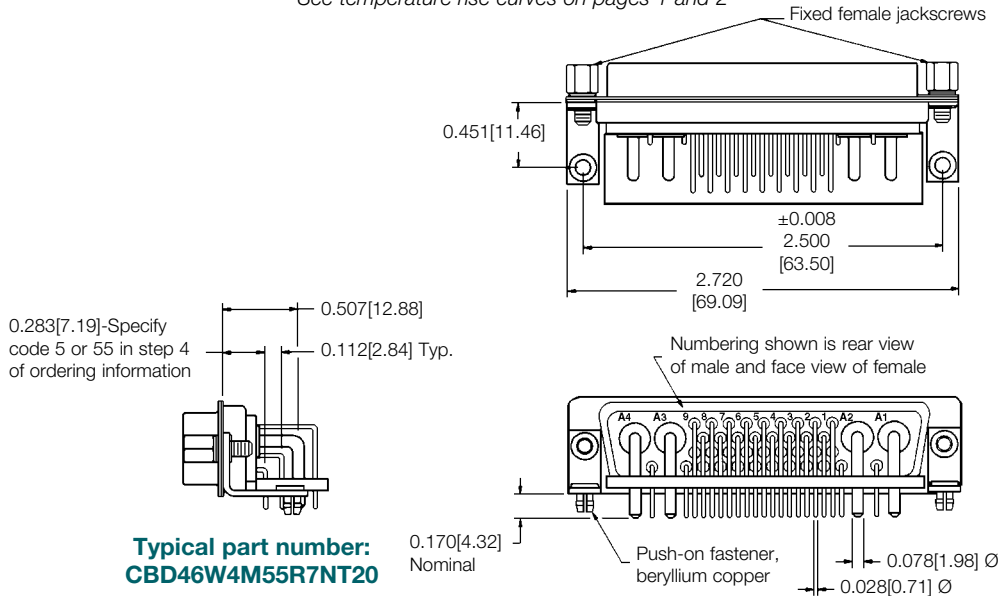
CBD/CBM SERIES

**SHELL SIZE 6**  
**RIGHT ANGLE (90°) PRINTED BOARD MOUNT CONNECTOR**  
**WITH 0.078 [1.98] Ø POWER CONTACTS**

**CODE 5 AND 55, 0.283 [7.19] CONTACT EXTENSION**

**CONNECTOR VARIANT 46W4**

See temperature rise curves on pages 1 and 2

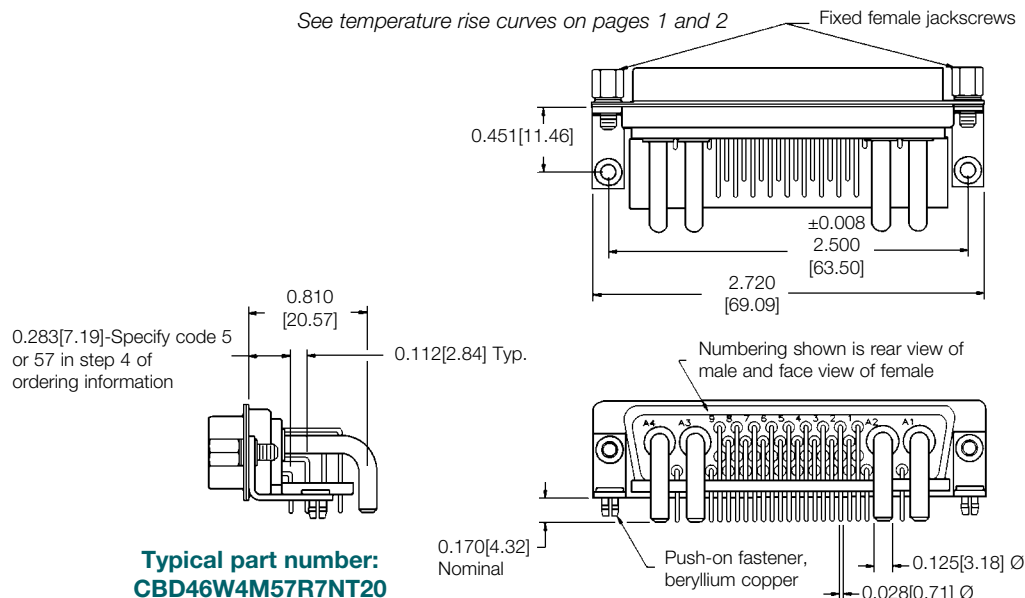


**SHELL SIZE 6**  
**RIGHT ANGLE (90°) PRINTED BOARD MOUNT CONNECTOR**  
**WITH 0.125 [3.18] Ø POWER CONTACTS**

**CODE 5 OR 57, 0.283 [7.19] CONTACT EXTENSION**

**CONNECTOR VARIANT 46W4**

See temperature rise curves on pages 1 and 2



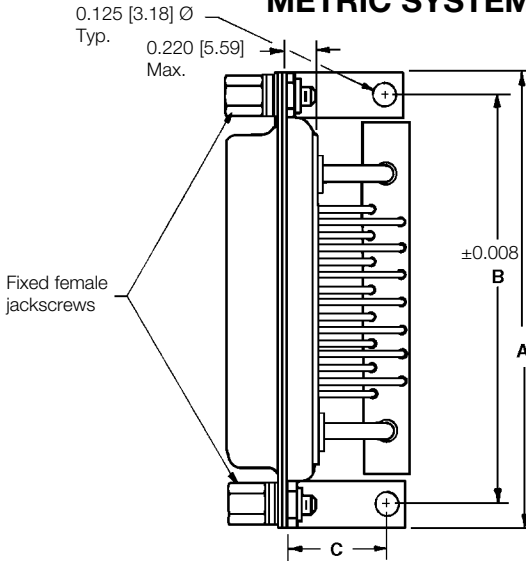
**METRIC SYSTEM RIGHT ANGLE (90°) PRINTED BOARD MOUNT CONNECTOR  
WITH 0.078 [1.98] Ø POWER CONTACTS**

**CODE 7 AND 75, 0.370 [9.40] CONTACT EXTENSION**

See temperature rise curves on pages 1 and 2

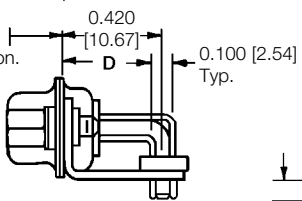
**CBD\*\*\*R7\*\*\* 0.370 [9.40] CONTACT EXTENSION**

SHELL SIZE	A	B	C	D
<b>SHELL SIZE 1</b>	1.204 [30.58]	0.984 [24.99]	0.420 [10.67]	0.370 [9.40]
<b>SHELL SIZE 2</b>	1.532 [38.91]	1.312 [33.32]	0.420 [10.67]	0.370 [9.40]
<b>SHELL SIZE 3</b>	2.072 [52.63]	1.852 [47.04]	0.420 [10.67]	0.370 [9.40]
<b>SHELL SIZE 4</b>	2.720 [69.09]	2.500 [63.50]	0.420 [10.67]	0.370 [9.40]
<b>SHELL SIZE 5</b>	2.626 [66.70]	2.406 [61.11]	0.470 [11.94]	0.370 [9.40]

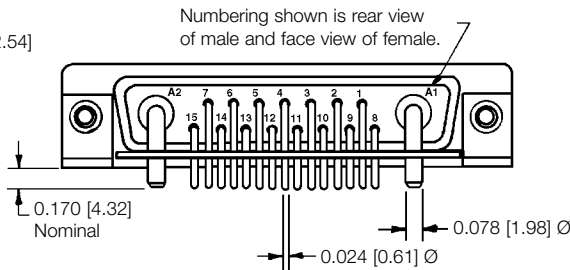


Fixed female  
jackscrews

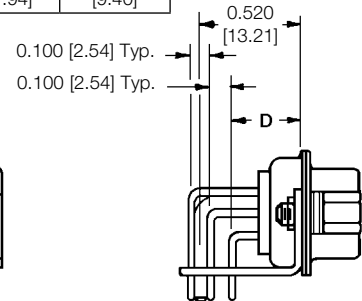
Specify code 7  
or 75 in step 4 of  
ordering information.



**Typical part number:  
CBD17W2M75R70T20**



Numbering shown is rear view  
of male and face view of female.



**Typical part number:  
CBD36W4M75R70T20**

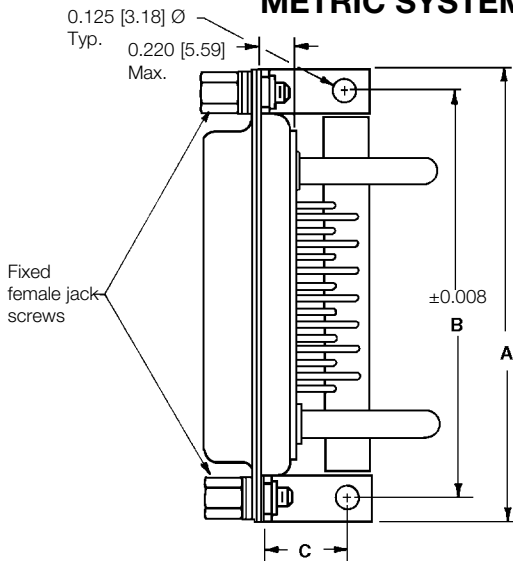
**METRIC SYSTEM RIGHT ANGLE (90°) PRINTED BOARD MOUNT CONNECTOR  
WITH 0.125 [3.18] Ø POWER CONTACTS**

**CODE 7 AND 77, 0.370 [9.40] CONTACT EXTENSION**

See temperature rise curves on pages 1 and 2

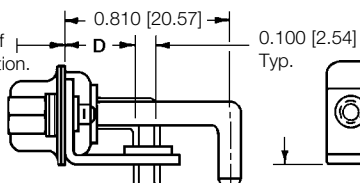
**CBD\*\*\*R7\*\*\* 0.370 [9.40] CONTACT EXTENSION**

SHELL SIZE	A	B	C	D
<b>SHELL SIZE 1</b>	1.204 [30.58]	0.984 [24.99]	0.420 [10.67]	0.370 [9.40]
<b>SHELL SIZE 2</b>	1.532 [38.91]	1.312 [33.32]	0.420 [10.67]	0.370 [9.40]
<b>SHELL SIZE 3</b>	2.072 [52.63]	1.852 [47.04]	0.420 [10.67]	0.370 [9.40]
<b>SHELL SIZE 4</b>	2.720 [69.09]	2.500 [63.50]	0.420 [10.67]	0.370 [9.40]
<b>SHELL SIZE 5</b>	2.626 [66.70]	2.406 [61.11]	0.470 [11.94]	0.370 [9.40]

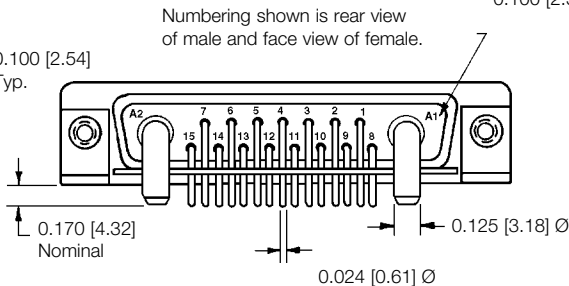


Fixed  
female jack  
screws

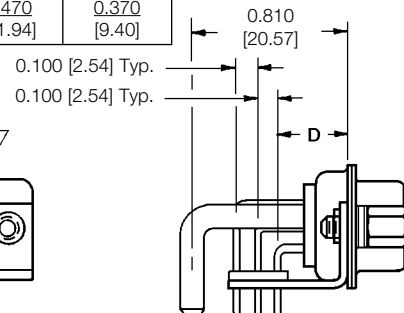
Specify code 7  
or 77 in step 4 of  
ordering information.



**Typical part number:  
CBD17W2M77R70T20**



Numbering shown is rear view  
of male and face view of female.



**Typical part number:  
CBD36W4M77R70T20**



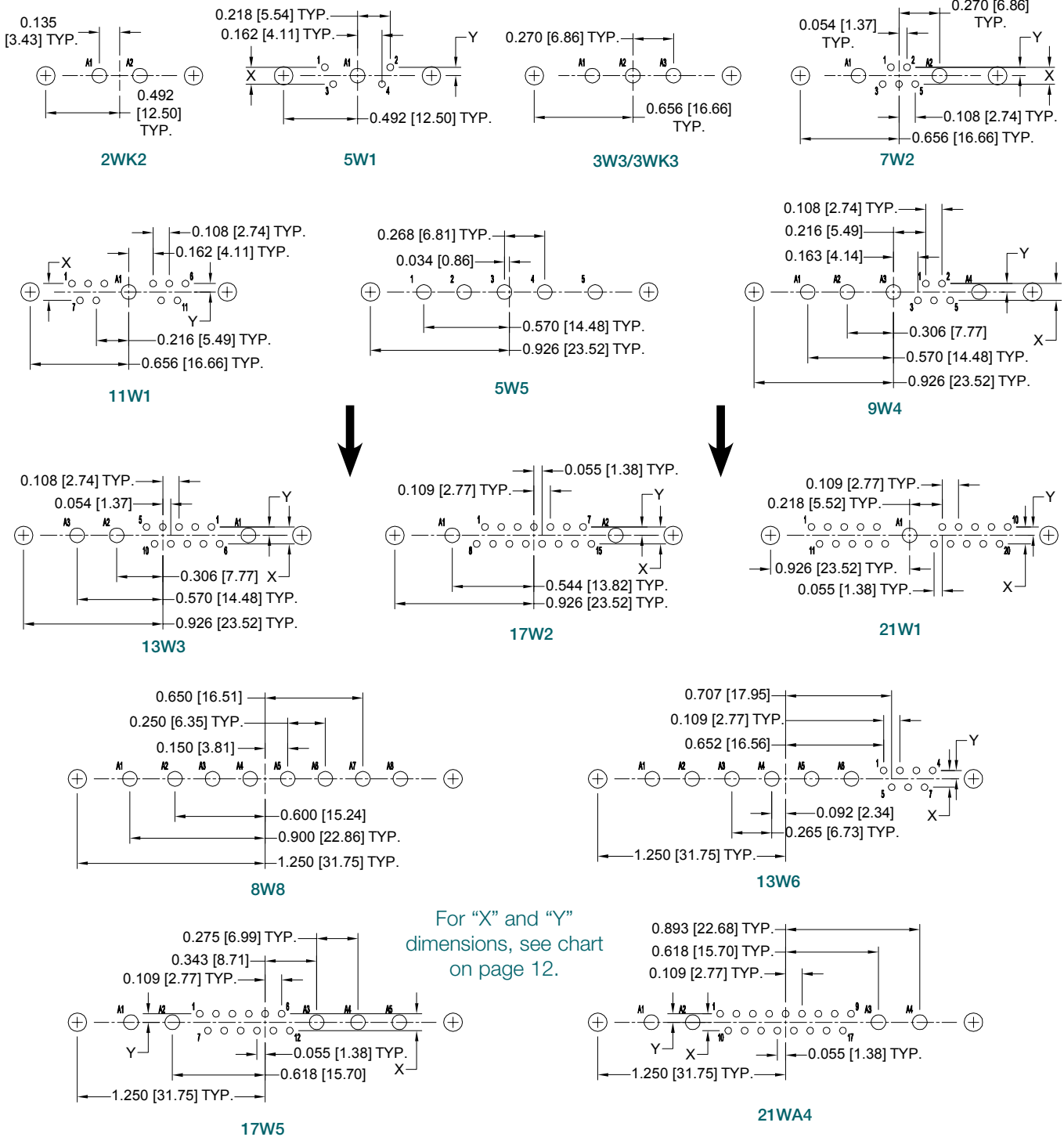
Positronic  
connectpositronic.com

**PROFESSIONAL, INDUSTRIAL AND MILITARY QUALITY**  
**THREE PERFORMANCE LEVELS FOR BEST COST/PERFORMANCE RATIO**  
**STANDARD DENSITY PCB MOUNT**

**Combo-D**  
**D-Sub**

**RIGHT ANGLE (90°) PRINTED BOARD CONTACT HOLE PATTERN WITH 0.078 [1.98] Ø POWER CONTACTS AND STRAIGHT PRINTED BOARD CONTACT HOLE PATTERN WITH 0.078 [1.98] Ø, 0.094 [2.39] Ø AND 0.125 [3.18] Ø POWER CONTACTS**

HOLE IDENTIFICATION SHOWN FOR MALE CONNECTOR; USE MIRROR IMAGE FOR FEMALE CONNECTOR.  
MOUNT CONNECTOR WITH MATING FACE POSITIONED TO FOLLOW DIRECTION OF ARROWS.



**NOTE:** For suggested printed board recommended drill hole sizes, plating and finished hole sizes for compliant contact termination positions, see page 76.

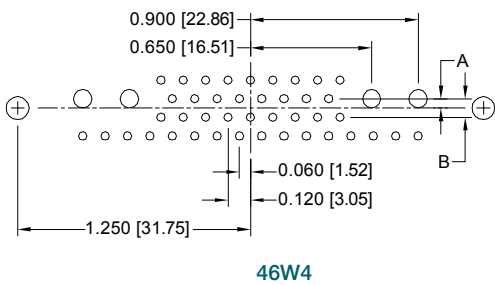
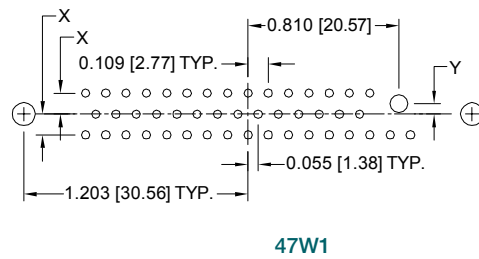
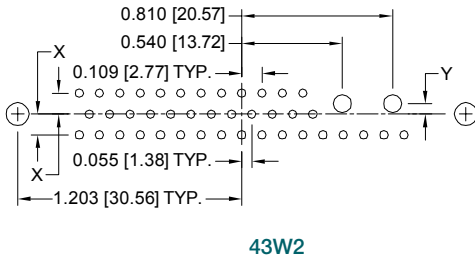
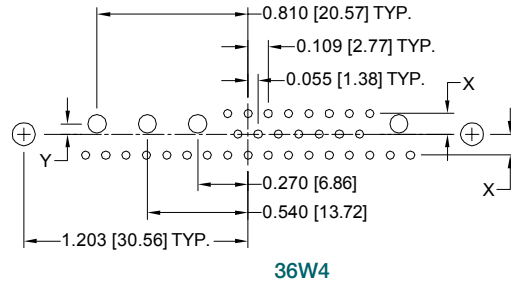
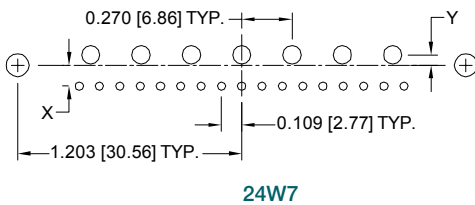
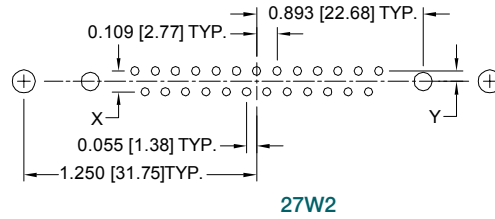
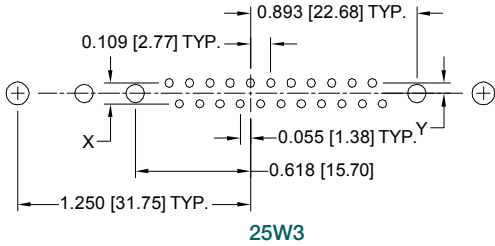
For press-fit connector installation tools, see page 76.

**SUGGESTED PRINTED BOARD HOLE SIZES:**

- Suggest 0.045 [1.14] Ø hole for signal contact termination positions.
- Suggest 0.098 [2.49] Ø hole for 0.078 [1.98] Ø power contact termination positions.
- Suggest 0.114 [2.90] Ø hole for 0.094 [2.39] Ø power contact termination positions.
- Suggest 0.145 [3.68] Ø hole for 0.125 [3.18] Ø power contact termination positions.
- Suggest 0.123 ±0.003 [3.12] Ø hole for mounting connector with push-on fasteners.

**RIGHT ANGLE (90°) PRINTED BOARD CONTACT HOLE PATTERN WITH 0.078 [1.98] Ø POWER CONTACTS AND STRAIGHT PRINTED BOARD CONTACT HOLE PATTERN WITH 0.078 [1.98] Ø, 0.094 [2.39] Ø AND 0.125 [3.18] Ø POWER CONTACTS**

HOLE IDENTIFICATION SHOWN FOR MALE CONNECTOR; USE MIRROR IMAGE FOR FEMALE CONNECTOR.  
MOUNT CONNECTOR WITH MATING FACE POSITIONED TO FOLLOW DIRECTION OF ARROWS.



**SUGGESTED PRINTED BOARD HOLE SIZES:**

- Suggest 0.045 [1.14] Ø hole for signal contact termination positions.
- Suggest 0.098 [2.49] Ø hole for 0.078 [1.98] Ø power contact termination positions.
- Suggest 0.114 [2.90] Ø hole for 0.094 [2.39] Ø power contact termination positions.
- Suggest 0.145 [3.68] Ø hole for 0.125 [3.18] Ø power contact termination positions.
- Suggest 0.123 ±0.003 [3.12] Ø hole for mounting connector with push-on fasteners.

CODE NO.	X	Y	A	B
3				
35	0.112 [2.84]	0.056 [1.42]	0.050 [1.27]	0.100 [2.54]
36				
37				
5	0.112 [2.84]	0.056 [1.42]	0.056 [1.42]	0.112 [2.84]
55				
7	0.100 [2.54]	0.050 [1.27]	0.050 [1.27]	0.100 [2.54]
75				

**NOTE:** For suggested printed board recommended drill hole sizes, plating and finished hole sizes for compliant contact termination positions, see page 75.

For press-fit connector installation tools, see page 76.



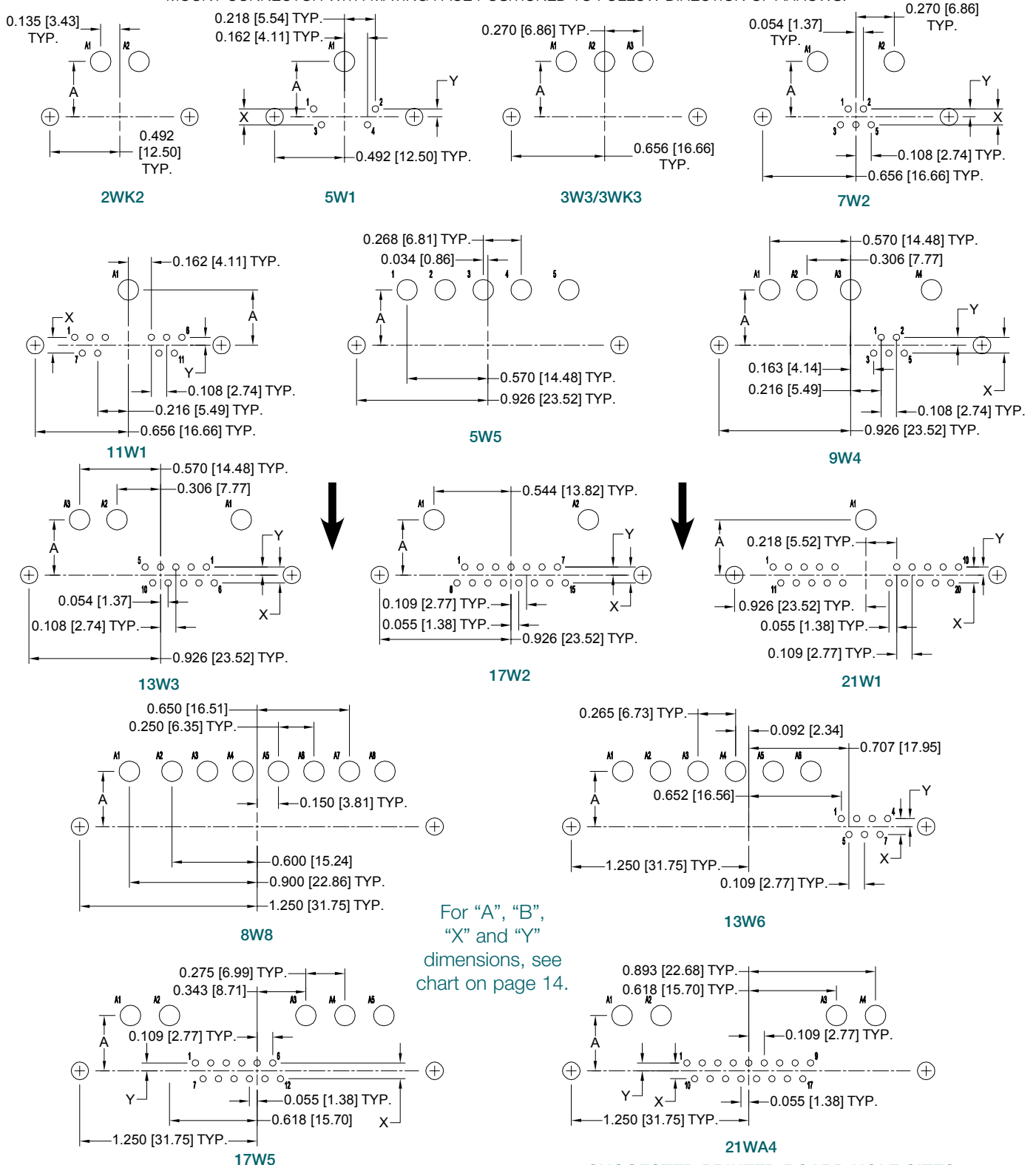
Positronic  
connectpositronic.com

**PROFESSIONAL, INDUSTRIAL AND MILITARY QUALITY**  
**THREE PERFORMANCE LEVELS FOR BEST COST/PERFORMANCE RATIO**  
**STANDARD DENSITY PCB MOUNT**

**Combo-D**  
**D-Sub**

**RIGHT ANGLE (90°) PRINTED BOARD CONTACT HOLE PATTERN**  
**WITH 0.125 [3.18] Ø POWER CONTACTS**

HOLE IDENTIFICATION SHOWN FOR MALE CONNECTOR; USE MIRROR IMAGE FOR FEMALE CONNECTOR.  
MOUNT CONNECTOR WITH MATING FACE POSITIONED TO FOLLOW DIRECTION OF ARROWS.



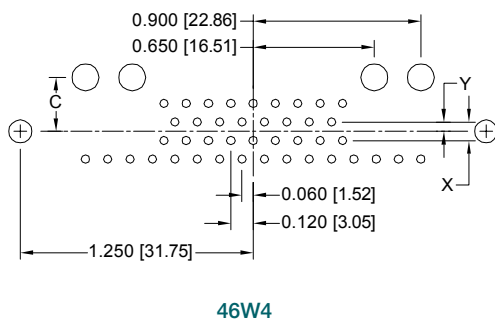
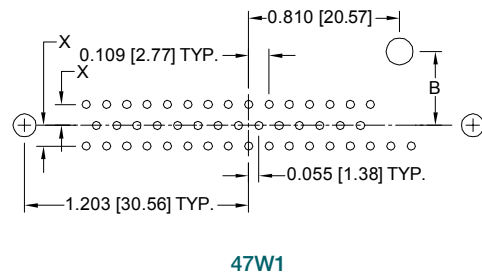
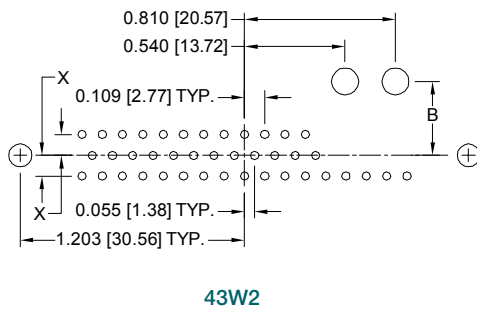
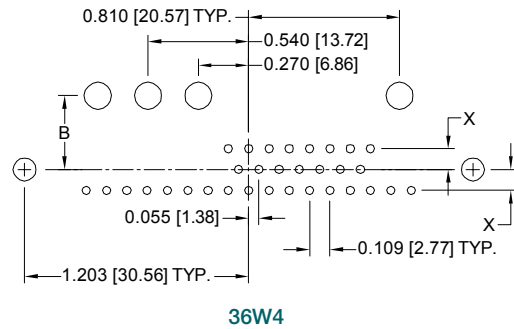
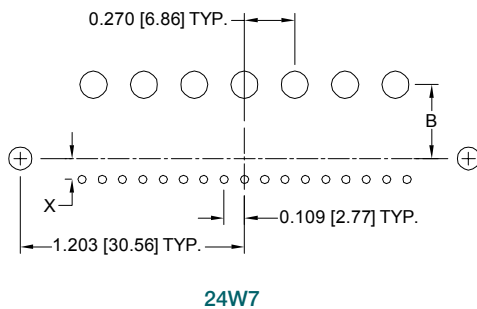
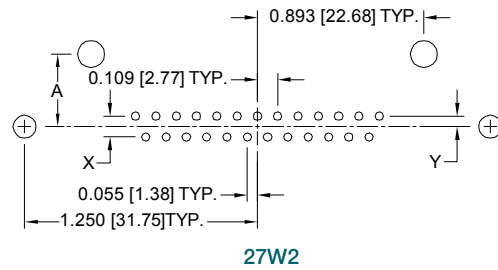
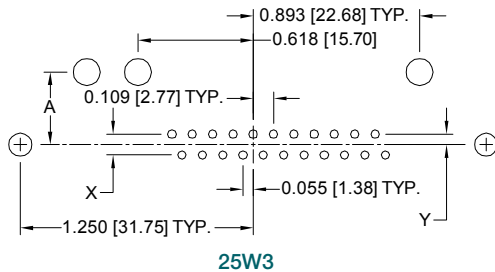
**SUGGESTED PRINTED BOARD HOLE SIZES:**

Suggest 0.045 [1.14] Ø hole for signal contact termination positions.  
Suggest 0.145 [3.68] Ø hole for power contact termination positions.  
Suggest 0.123±0.003 [3.12] Ø hole for mounting connector with push-on fasteners.

**13** DIMENSIONS ARE IN INCHES [MILLIMETERS].  
ALL DIMENSIONS ARE SUBJECT TO CHANGE.

**RIGHT ANGLE (90°) PRINTED BOARD CONTACT HOLE PATTERN  
WITH 0.125 [3.18] Ø POWER CONTACTS**

HOLE IDENTIFICATION SHOWN FOR MALE CONNECTOR; USE MIRROR IMAGE FOR FEMALE CONNECTOR.  
MOUNT CONNECTOR WITH MATING FACE POSITIONED TO FOLLOW DIRECTION OF ARROWS.



**SUGGESTED PRINTED BOARD HOLE SIZES:**

Suggest 0.045 [1.14] Ø hole for signal contact termination positions.  
Suggest 0.145 [3.68] Ø hole for power contact termination positions.  
Suggest 0.123±0.003 [3.12] Ø hole for mounting connector with push-on fasteners.

CODE NO.	5 & 57	7 & 77
<b>A</b>	0.471 [11.96]	0.390 [9.91]
<b>B</b>	0.415 [10.54]	0.340 [8.64]
<b>C</b>	0.359 [9.12]	0.290 [7.37]
<b>X</b>	0.112 [2.84]	0.100 [2.54]
<b>Y</b>	0.056 [1.42]	0.050 [1.27]

**DIMENSIONS ARE IN INCHES [MILLIMETERS].  
ALL DIMENSIONS ARE SUBJECT TO CHANGE. 14**



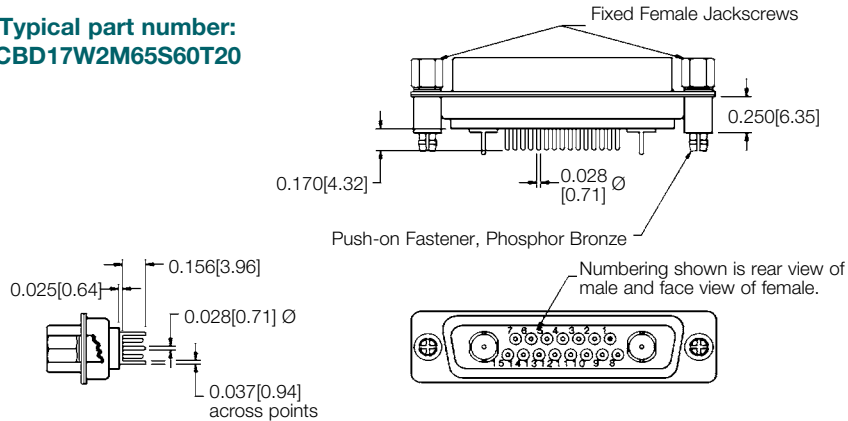
Positronic  
connectpositronic.com

**PROFESSIONAL, INDUSTRIAL AND MILITARY QUALITY**  
**THREE PERFORMANCE LEVELS FOR BEST COST/PERFORMANCE RATIO**  
**STANDARD DENSITY PCB MOUNT**

**Combo-D**  
**D-Sub**

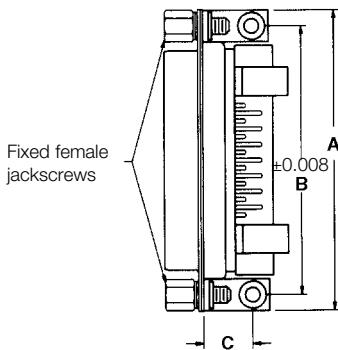
**STRAIGHT PRINTED BOARD MOUNT CONNECTOR**  
**WITH FDS4201D OR MDS4201D SHIELDED CONTACTS**  
**CODE 65**

Typical part number:  
**CBD17W2M65S60T20**

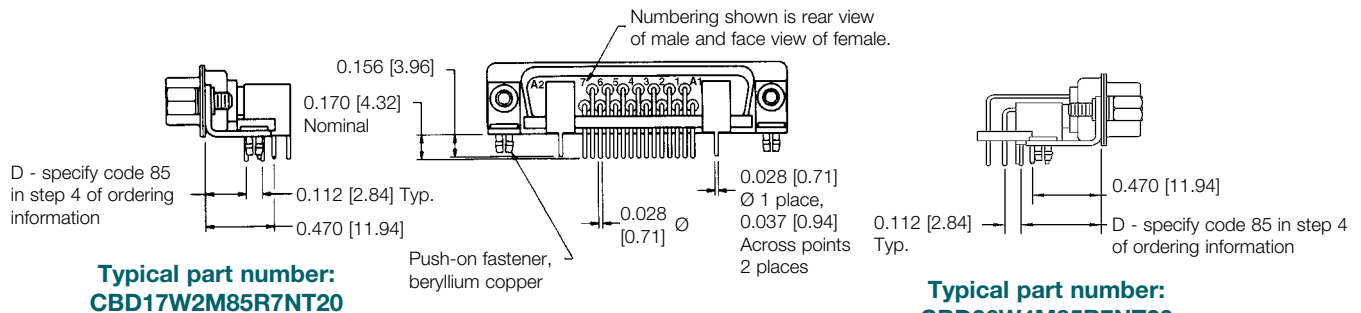


**RIGHT ANGLE (90°) PRINTED BOARD MOUNT CONNECTOR**  
**WITH FRT4201D OR MRT4201D SHIELDED CONTACTS**  
**CODE 85**

CBD**85**** 0.283 [7.19] CONTACT EXTENSION				
SHELL SIZE	A	B	C	D
SHELL SIZE 1	1.204 [30.58]	0.984 [24.99]	0.339 [8.61]	0.283 [7.19]
SHELL SIZE 2	1.532 [38.91]	1.312 [33.32]	0.339 [8.61]	0.283 [7.19]
SHELL SIZE 3	2.072 [52.63]	1.852 [47.04]	0.339 [8.61]	0.283 [7.19]
SHELL SIZE 4	2.720 [69.09]	2.500 [63.50]	0.339 [8.61]	0.283 [7.19]
**SHELL SIZE 5	2.626 [66.70]	2.406 [61.11]	0.395 [10.03]	0.545 [13.84]



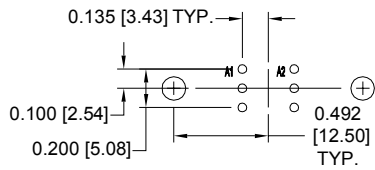
**\*NOTE:**  
Shell size 5 connectors are supplied inverted when ordered with right angle (90°) printed board mount shielded contacts.



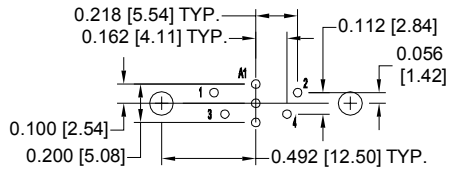


**STRAIGHT PRINTED BOARD MOUNT CONTACT HOLE PATTERN  
WITH FDS4201D AND MDS4201D SHIELDED CONTACTS**

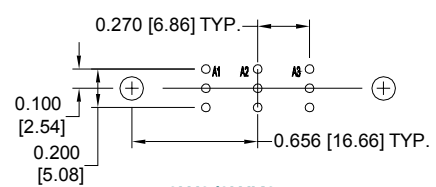
HOLE IDENTIFICATION SHOWN FOR MALE CONNECTOR; USE MIRROR IMAGE FOR FEMALE CONNECTOR.



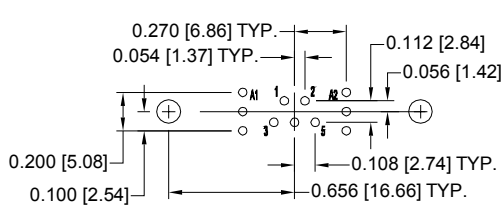
2WK2



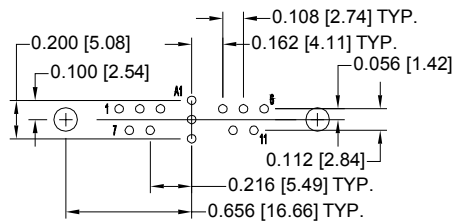
5W1



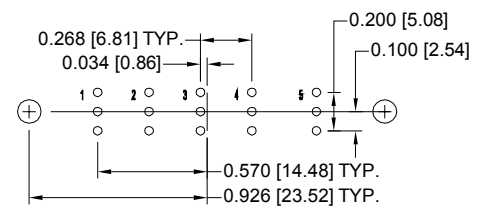
3W3/3WK3



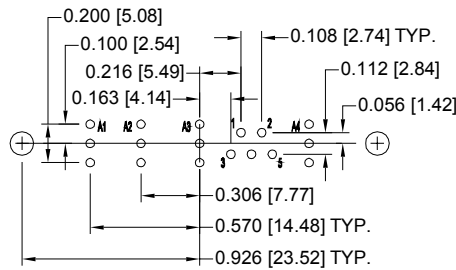
7W2



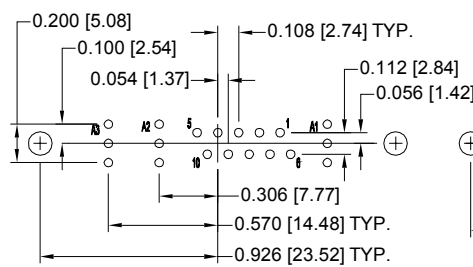
11W1



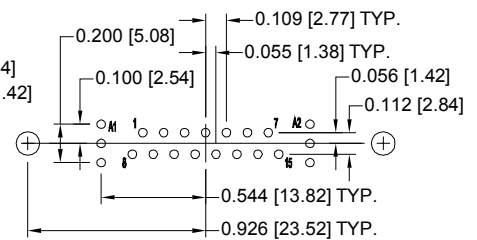
5W5



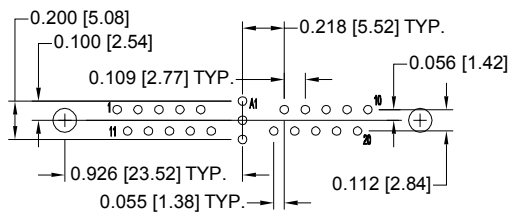
9W4



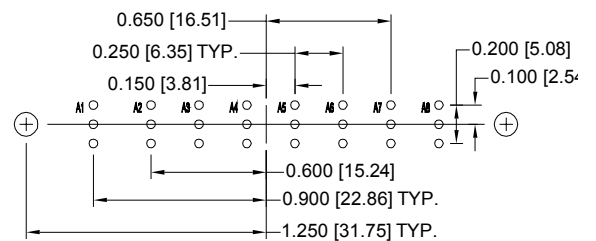
13W3



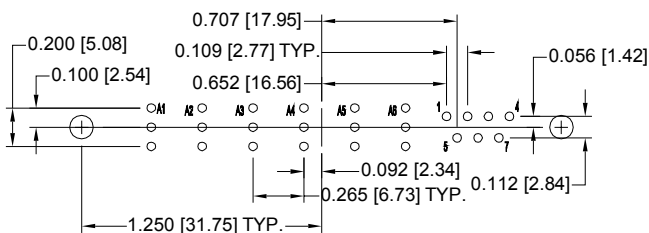
17W2



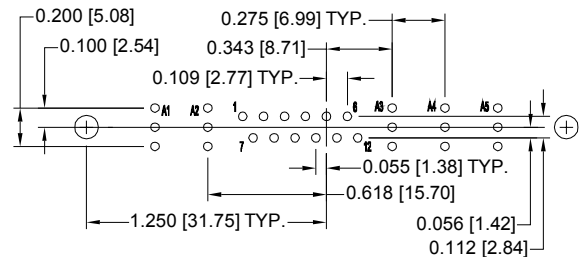
21W1



8W8



13W6



17W5

**SUGGESTED PRINTED BOARD HOLE SIZES:**

Suggest 0.045 [1.14] Ø hole for signal contact termination position.  
Suggest 0.123±0.003 [3.12] Ø hole for mounting connector with push-on fasteners.



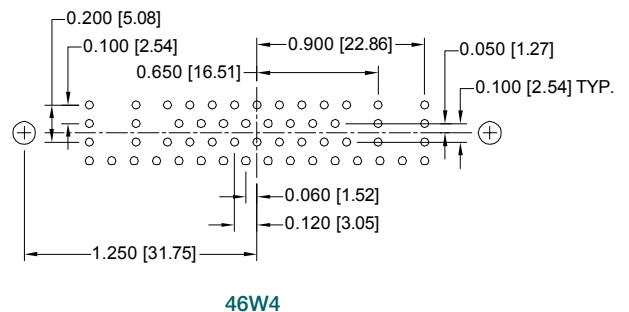
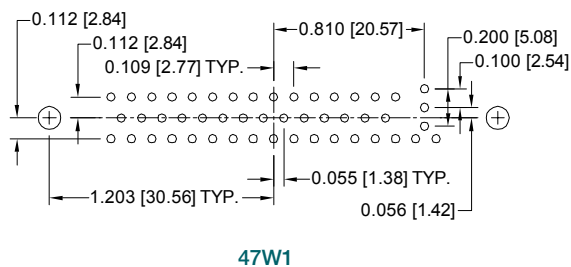
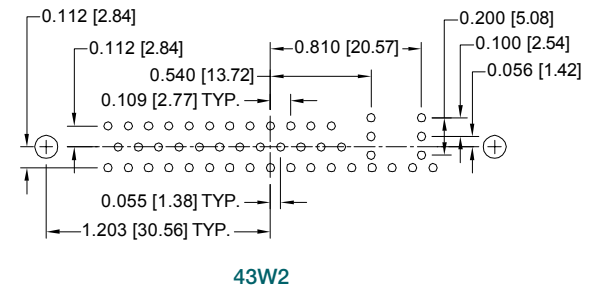
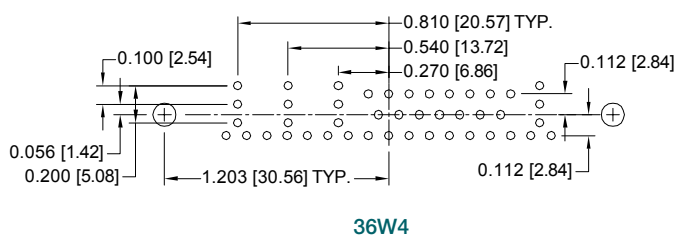
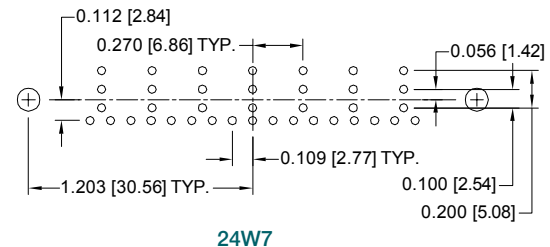
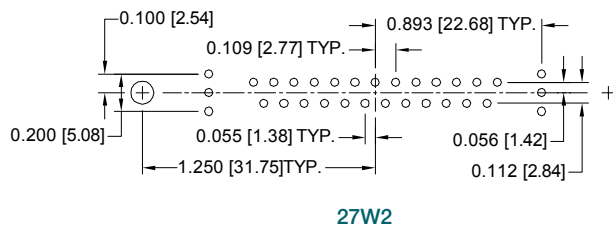
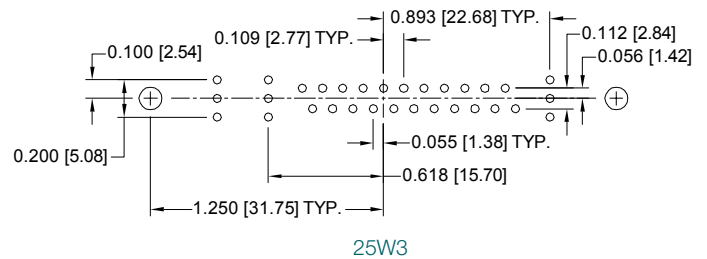
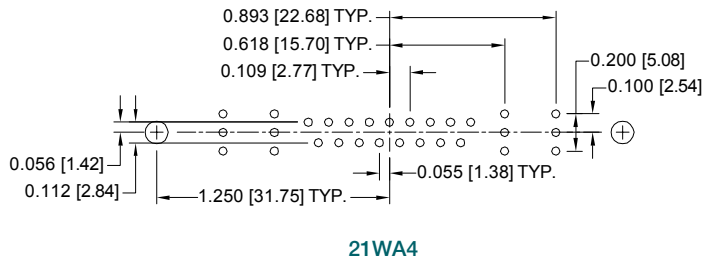
Positronic  
connectpositronic.com

**PROFESSIONAL, INDUSTRIAL AND MILITARY QUALITY**  
**THREE PERFORMANCE LEVELS FOR BEST COST/PERFORMANCE RATIO**  
**STANDARD DENSITY PCB MOUNT**

**Combo-D**  
**D-Sub**

**STRAIGHT PRINTED BOARD MOUNT CONTACT HOLE PATTERN**  
**WITH FDS4201D AND MDS4201D SHIELDED CONTACTS**

HOLE IDENTIFICATION SHOWN FOR MALE CONNECTOR; USE MIRROR IMAGE FOR FEMALE CONNECTOR.



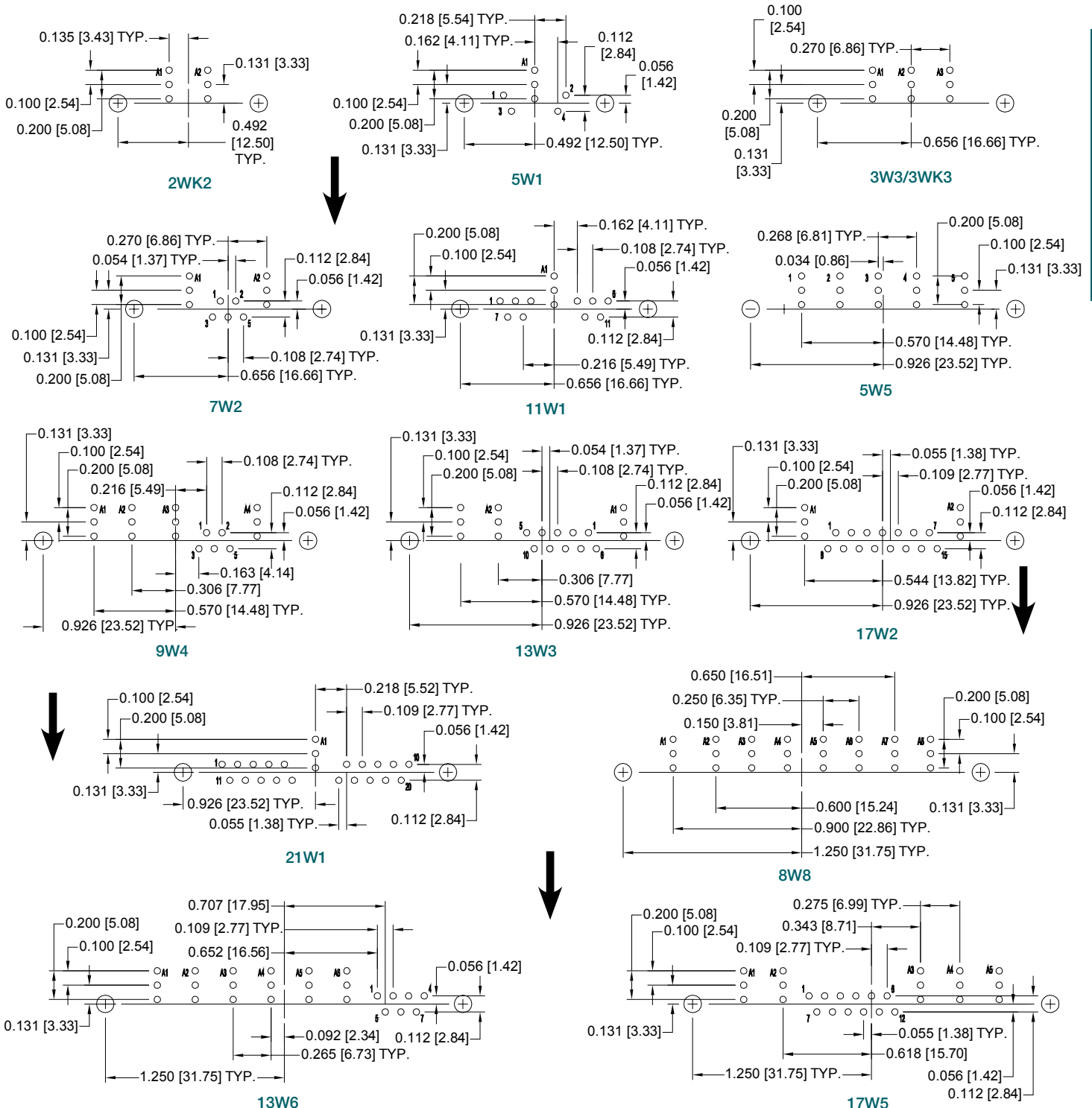
**SUGGESTED PRINTED BOARD HOLE SIZES:**

Suggest 0.045 [1.14] Ø hole for signal contact termination position.  
Suggest 0.123±0.003 [3.12] Ø hole for mounting connector with push-on fasteners.



**RIGHT ANGLE (90°) PRINTED BOARD MOUNT CONTACT HOLE PATTERN  
WITH FRT4201D AND MRT4201D SHIELDED CONTACTS**

HOLE IDENTIFICATION SHOWN FOR MALE CONNECTOR; USE MIRROR IMAGE FOR FEMALE CONNECTOR.  
MOUNT CONNECTOR WITH MATING FACE POSITIONED TO FOLLOW DIRECTION OF ARROWS.



**SUGGESTED PRINTED BOARD HOLE SIZES:**

Suggest 0.045 [1.14] Ø hole for signal contact termination position.  
Suggest 0.123±0.003 [3.12] Ø hole for mounting connector with push-on fasteners.



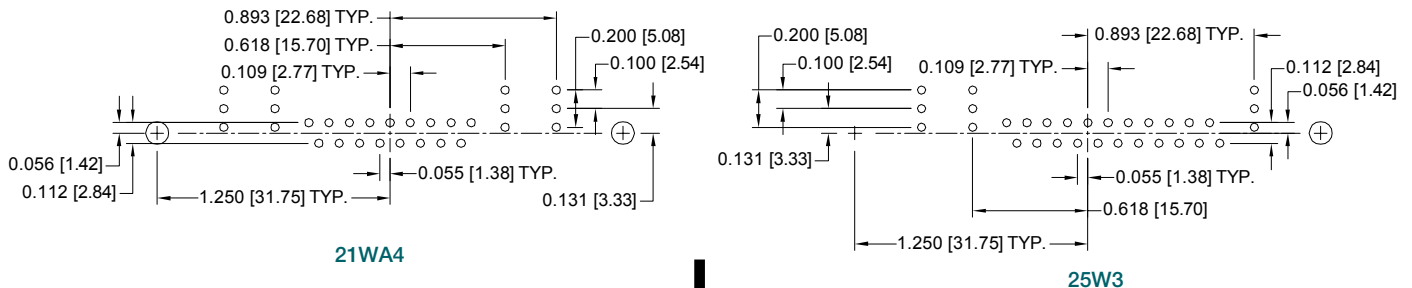
Positronic  
connectpositronic.com

**PROFESSIONAL, INDUSTRIAL AND MILITARY QUALITY**  
**THREE PERFORMANCE LEVELS FOR BEST COST/PERFORMANCE RATIO**  
**STANDARD DENSITY PCB MOUNT**

**Combo-D**  
**D-Sub**

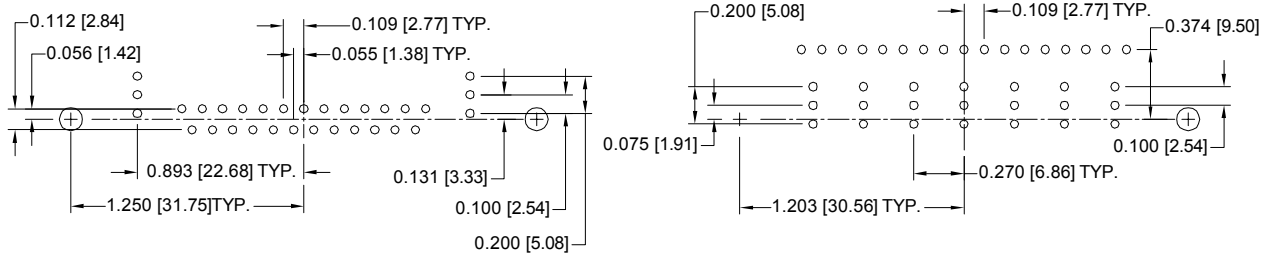
**RIGHT ANGLE (90°) PRINTED BOARD MOUNT CONTACT HOLE PATTERN**  
**WITH FRT4201D AND MRT4201D SHIELDED CONTACTS**

HOLE IDENTIFICATION SHOWN FOR MALE CONNECTOR; USE MIRROR IMAGE FOR FEMALE CONNECTOR.  
MOUNT CONNECTOR WITH MATING FACE POSITIONED TO FOLLOW DIRECTION OF ARROWS.



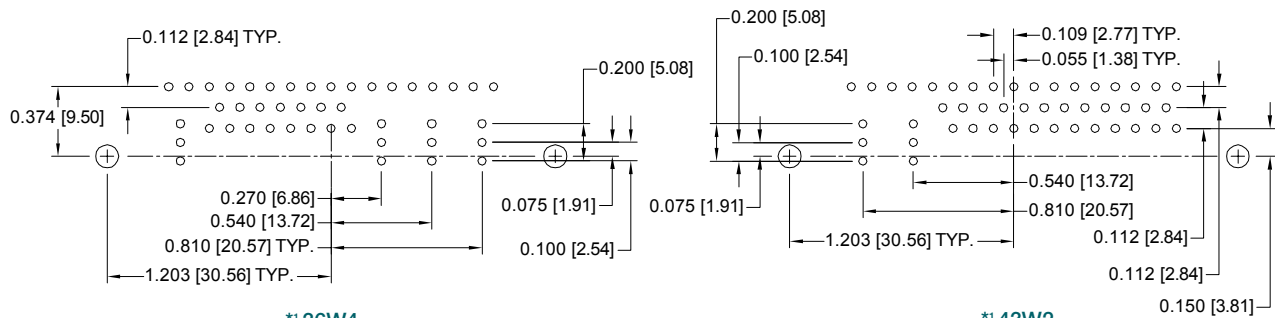
21WA4

25W3



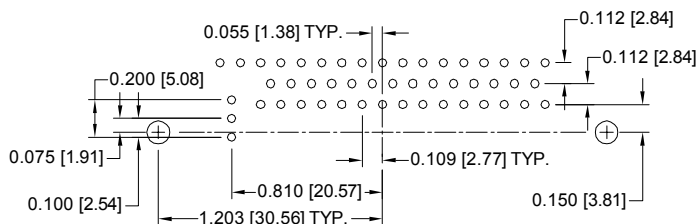
27W2

\*1 24W7



\*1 36W4

\*1 43W2



\*1 47W1

**\*1 NOTE:**

Shell size 5 connectors are supplied inverted when ordered with right angle (90°) printed board mount shielded contacts.

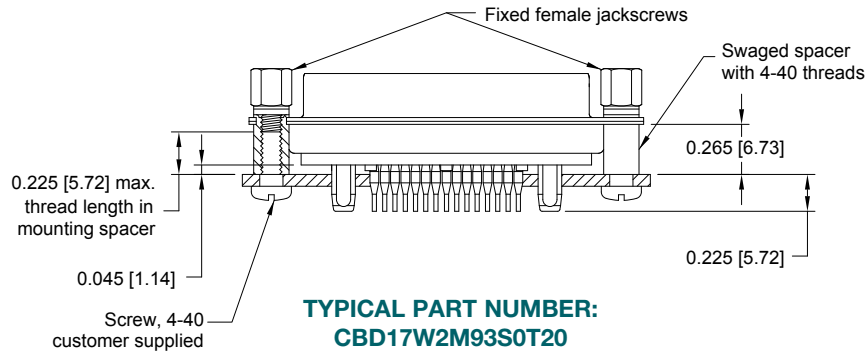
**SUGGESTED PRINTED BOARD HOLE SIZES:**

Suggest 0.045 [1.14] Ø hole for signal contact termination position.  
Suggest 0.123±0.003 [3.12] Ø hole for mounting connector with push-on fasteners.



**COMPLIANT PRESS-FIT CONNECTOR  
CODE 93**

Positronic recommends the practice of using mounting hardware to secure connector to printed circuit board.



**SUGGESTED PRINTED BOARD HOLE SIZES:**

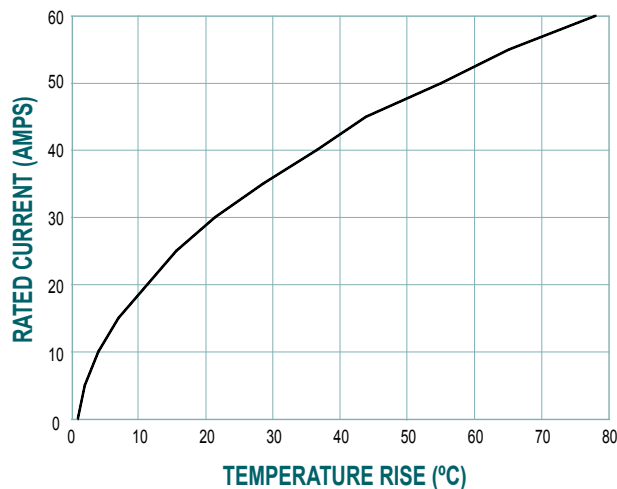
Suggest 0.123 [3.12] Ø hole for connector mounting holes.

**NOTE:** For suggested printed board recommended drill hole sizes, plating and finished hole sizes for compliant contact termination positions, see page 75.

For press-fit connector installation tools, see page 76.

FOR STRAIGHT PRINTED BOARD  
CONTACT HOLE PATTERNS,  
SEE PAGES 11 AND 12.

**TEMPERATURE RISE CURVE**



Test conducted in accordance with UL1977.

All power contacts under load.

Curve developed using CBD8W8M00000 and CBD8W8F93S000 connectors with MC4008D contacts terminated to 8 AWG wire.



Positronic  
connectpositronic.com

**PROFESSIONAL, INDUSTRIAL AND MILITARY QUALITY**  
**THREE PERFORMANCE LEVELS FOR BEST COST/PERFORMANCE RATIO**  
**STANDARD DENSITY PCB MOUNT**

**Combo-D**  
**D-Sub**

**ORDERING INFORMATION - CODE NUMBERING SYSTEM**

Specify Complete Connector By Selecting An Option From Step 1 Through 8

CBD/CBM SERIES

STEP	1	2	3	4	5	6	7	8	9	10
<b>EXAMPLE</b>	<b>CBD</b>	<b>17W2</b>	<b>F</b>	<b>55</b>	<b>R7</b>	<b>N</b>	<b>T2</b>	<b>X</b>	<b>/AA</b>	<b>-14</b>
<b>STEP 1 - BASIC SERIES</b>	<p><b>CBD</b> – Professional/Industrial Quality, see Step 3.</p> <p><b>CBM</b> – Military conformance with "closed entry" female signal contacts plated 0.000050 [1.27µ] gold over nickel plate. Choose "S" or "M" in Step 3.</p>									<p><b>*2 STEP 10 - SPECIAL OPTIONS</b></p> <p><b>FOR SPECIAL OPTIONS, SEE SPECIAL OPTIONS APPENDIX ON PAGE 72.</b></p> <p><b>CONTACT TECHNICAL SALES FOR ORDERING DETAILS OF THE FOLLOWING:</b></p> <p>Other Special Requirements. Straight / Right Angle Thermocouple PCB mount contacts.</p>
<b>STEP 2 - CONNECTOR VARIANTS</b>	<p><b>Shell Size 1</b> - 2WK2, 5W1</p> <p><b>Shell Size 2</b> - 3W3, 3WK3, 7W2, 11W1</p> <p><b>Shell Size 3</b> - 5W5, 9W4, 13W3, 17W2, 21W1</p> <p><b>Shell Size 4</b> - 8W8, 13W6, 17W5, 21WA4, 25W3, 27W2</p> <p><b>Shell Size 5</b> - 24W7, 36W4, 43W2, 47W1</p> <p><b>Shell Size 6</b> - 46W4</p>									
<b>STEP 3 - CONNECTOR GENDER</b>	<p>F - Female - Professional Level - Open Entry Signal Contacts</p> <p>M - Male</p> <p>S - Female - Industrial / Military Level - PosiBand Closed Entry Signal Contacts</p>									
<b>STEP 4 - CONTACT TERMINATION TYPE</b>	<p>0 - Connector ordered without size 8 power, shielded, air or high voltage removable contacts. See pages 60-88 for contact part numbers. Available on 2WK2, 3W3, 3WK3, 5W5 and 8W8.</p> <p>2 - Fixed Solder Cup, Signal Contacts only.</p> <p>3 - Solder, Straight Printed Board Mount with Signal Contacts, 0.170 [4.32] Tail Length.</p> <p>35 - Solder, Straight Printed Board Mount with Signal and 0.078 [1.98] Ø Power Contacts, 0.170 [4.32] Tail Length.</p> <p>36 - Solder, Straight Printed Board Mount with Signal and 0.094 [2.39] Ø Power Contacts, 0.170 [4.32] Tail Length.</p> <p>37 - Solder, Straight Printed Board Mount with Signal and 0.125 [3.18] Ø Power Contacts, 0.170 [4.32] Tail Length.</p> <p>5 - Solder, Right Angle (90°) Printed Board Mount with Signal Contacts only, 0.283 [7.19] Signal Contact Extension.</p> <p>55 - Solder, Right Angle (90°) Printed Board Mount with Signal and 0.078 [1.98] Ø Power Contacts, 0.283 [7.19] Signal Contact Extension.</p> <p>57 - Solder, Right Angle (90°) Printed Board Mount with Signal and 0.125 [3.18] Ø Power Contacts, 0.283 [7.19] Signal Contact Extension.</p> <p>65 - Solder, Straight Printed Board Mount with Signal and Shielded Contacts MDS/FDS 4201D footprint, 0.170 [4.32] Signal Contact Tail Length.</p> <p>7 - Solder, Metric System Right Angle (90°) Printed Board Mount with Signal Contacts only, 0.370 [9.40] Signal Contact Extension.</p> <p>75 - Solder, Metric System Right Angle (90°) Printed Board Mount with Signal and 0.078 [1.98] Ø Power Contacts, 0.370 [9.40] Signal Contact Extension.</p> <p>77 - Solder, Metric System Right Angle (90°) Printed Board Mount with Signal and 0.125 [3.18] Ø Power Contacts, 0.370 [9.40] Signal Contact Extension.</p> <p>*1 85 - Solder, Right Angle (90°) Printed Board Mount with Signal and Shielded Contacts MRT/FRT 4201D footprint, 0.283 [7.19] Signal Contact Extension.</p> <p>93 - Size 20 Omega type compliant and Size 8 Bi-Spring type compliant, termination length 0.225 [5.72].</p>									
<b>STEP 5 - MOUNTING STYLE</b>	<p>0 - Mounting Hole, 0.120 [3.05] Ø</p> <p>*6 02 - Mounting Hole, 0.154 [3.91] Ø</p> <p>*5 B3 - Bracket, Mounting, Right Angle (90°) Metal with Cross Bar</p> <p>*5 B8 - Bracket, Mounting, Right Angle (90°) Plastic with Cross Bar</p> <p>F - Float Mounts, Universal</p> <p>P - Threaded Post, Brass, 0.250 [6.35] Length</p> <p>P2 - Threaded Post, Nylon, 0.250 [6.35] Length</p> <p>*5 R2 - Bracket, Mounting, Right Angle (90°) Metal, Swaged to Connector with 4-40 Thread Fixed Female Jackscrews with Cross Bar</p> <p>*5 R6 - Bracket, Mounting, Right Angle (90°) Metal, Swaged to Connector with 0.120 [3.05] Ø Mounting Hole with Cross Bar</p> <p>*5 R7 - Bracket, Mounting, Right Angle (90°) Metal, Swaged to Connector with 4-40 Threads with Cross Bar</p> <p>*5 R8 - Bracket, Mounting, Right Angle (90°) Metal, Swaged to Connector with 4-40 Locknut with Cross Bar</p> <p>S - Swaged Spacer, 4-40 Threads, 0.250 [6.35] Length, Spacer length changes to 0.265 [6.73] when used in conjunction with Code 93 contacts</p> <p>S2 - Swaged Spacer, 4-40 Threads, 0.125 [3.18] Length</p> <p>S5 - Swaged Locknut, 4-40 Threads</p> <p>S6 - Swaged Spacer with Push-on Fastener, 4-40 Threads, 0.250 [6.35] Length</p>									<p><b>STEP 9 - ENVIRONMENTAL COMPLIANCE OPTIONS</b></p> <p>/AA - RoHS Compliant</p> <p><b>NOTE:</b> If compliance to environmental legislation is not required, this step will not be used. Example: CBD17W2F55R7NT2X</p>
<b>STEP 6 - HOODS AND PUSH-ON FASTENERS</b>	<p>0 - None</p> <p>AN - Lightweight Aluminum Hood, nickel finish.</p> <p>AC - Lightweight Aluminum Hood, no finish.</p> <p>Z - Hood, Top or Side Opening, robust extended height, plastic and composite, with rotating male jackscrews, shell sizes 1 through 5</p> <p>H - Hood, Top Opening, Metal, shell sizes 2 through 5</p> <p>*3 G - Hood, EMI/RFI, Die Cast Zinc, shell sizes 1 through 6</p> <p>N - Push-on Fastener, for Right Angle (90°) Mounting Brackets</p>									
<b>STEP 7 - LOCKING AND POLARIZING SYSTEMS</b>	<p>0 - None.</p> <p>V3 - Lock Tab, connector front panel mounted.</p> <p>V5 - Lock Tab, connector rear panel mounted.</p> <p>VL - Lock Lever, used with Hoods only.</p> <p>T - Fixed Female Jackscrews.</p> <p>T2 - Fixed Female Jackscrews.</p> <p>T6 - Fixed Male and Female Polarized Jackscrews.</p> <p>E - Rotating Male Jackscrews.</p> <p>E2 - Rotating Male Screw Locks.</p> <p>E3 - Rotating Male with Internal Hex for 3/32 Hex Drives</p> <p>E6 - Rotating Male and Female Polarized Jackscrews.</p>									
<b>STEP 8 - SHELL OPTIONS</b>	<p>0 - Zinc Plated.</p> <p>**S - Stainless Steel, passivated.</p> <p>X - Tin Plated.</p> <p>Z - Tin Plated and Dimpled (male connectors only).</p>									
<b>NOTES</b>	<p>*1 Not available on shell size 6, CBD 46W4.</p> <p>*2 For additional information on accessories listed in steps 5, 6, 7 and 10, see Accessory Catalog.</p> <p>*3 When using G hood with CBD variants, use the extended height hood. See Accessories Catalog for extended G hood options.</p> <p>*4 For stainless steel dimpled male versions, contact Technical Sales.</p> <p>*5 Not available on 2WK2, 3W3, 3WK3, 5W5, 8W8 variants when choosing code 57, 77 or 85 in Step 4. Contact Technical Sales for alternative mounting styles</p> <p>*6 Code 02 mounting hole is only compatible with code 0 in steps 6 and 7.</p>									



Size 20 Removable Signal and  
Thermocouple Crimp Contacts

Size 8 Removable Power, Shielded,  
Air and High Voltage Contacts

DSCC 85039 IEC 60807-3

UL Recognized File #E49351 CSA Recognized File #LR54219

Telecommunication UL File #E140980



CBC series connectors offer professional, industrial and military performance levels. Connectors are designed for use in sheltered, mildly corrosive environments having a wide range of temperature, pressure and humidity changes. CBC series connectors offer mixed crimp-removable contact combinations of power, shielded, air, high voltage, signal, and thermocouple contacts within the same connector body. Refer to size 8 removable contacts power, shielded, air and high voltage section, pages 60-71 for technical characteristics. Sixteen connector variants are offered in six standard shell sizes.

A wide assortment of cable support hoods and locking systems is available from stock.

CBC series connectors also offer a Blind Mating connector system for applications requiring connector couplings in recessed areas or for mobile power coupling systems.

CBC series connectors utilize precision machined contacts and they meet the applicable performance and dimensional requirements of IEC 60807-3, Performance Levels One and Two, DSCC 85039 and MIL-DTL-24308.

## Connectors Designed To Customer Specifications

*Positronic Combo-D connectors can be modified to customers specifications.*

**Examples:** select loading of contacts for cost savings or to gain creepage and clearance distances; longer PCB terminations; customer specified hardware; sealing for water resistance.

**Contact Technical Sales with your particular requirements.**



Positronic  
connectpositronic.com

**PROFESSIONAL, INDUSTRIAL AND MILITARY QUALITY  
THREE PERFORMANCE LEVELS FOR BEST COST/PERFORMANCE RATIO  
STANDARD DENSITY CRIMP REMOVABLE CONTACTS**

**Combo-D  
D-Sub**

**TECHNICAL CHARACTERISTICS**

**MATERIALS AND FINISHES:**

**Insulator:** Glass filled polyester per ASTM D 5927, UL 94V-0, blue color.

**Contacts:** Precision machined copper alloy.

**SIGNAL:** Gold flash over nickel plate and gold 0.000050 [1.27µ] over nickel plate. Other finishes available upon request, see page 72.

**POWER:** Gold flash over nickel. Other finishes available upon request, see page 72.

**SHIELDED:** For contact platings, see page 60.

**HIGH VOLTAGE:** For contact platings, see page 60.

**Shells:** Steel with tin plate; zinc plate; stainless steel passivated. Other materials and finishes available upon request.

**Mounting Spacers:** Nylon; copper alloy or steel with zinc plate or tin plate; phosphor bronze with tin plate; stainless steel, passivated.

**Jackscrew Systems:** Brass or steel with zinc plate or clear zinc plate or tin plate; stainless steel, passivated.

**Hoods:** Composite and plastic UL94V-0; brass or steel with zinc plate. Aluminum; aluminum with electroless nickel plate. For aluminum hoods, zinc content is 1% maximum. Die cast zinc.

Non-magnetic versions are available, contact Technical Sales.

**MECHANICAL CHARACTERISTICS:**

**Signal Contacts, Crimp Removable:** Size 20 contacts, male – 0.040 inch [1.02mm] mating diameter; Female rugged open entry or PosiBand closed entry contact design, see page 61 for details.

**Contact Retention In Insulator:** Signal: 9 lbs. [40N]. Power, shielded and high voltage: 22 lbs. [98N]

**Crimp Contact Terminations:** Closed barrel crimp, wire sizes 18 AWG [1.0mm<sup>2</sup>] through 30 AWG [0.05 mm<sup>2</sup>]

**Power Contacts, Removable, Crimp or Solder Termination:** Size 8 contacts, male – 0.142 inch [3.61mm] mating diameter. Terminations for 6, 8, 10, 12, and 16 AWG. Female contact features Large Surface Area (L.S.A.) closed entry contact design utilizing BeCu mechanical retention member. Closed crimp barrel.

**Shielded Contacts, Removable:** See table of cable sizes for contact termination dimensions, page 70.

**High Voltage Contacts:** Straight and right angle (90°) terminations – 0.041 inch [1.04mm] min. hole diameter.

**Shells:** Male shells may be dimpled for EMI/ESD ground paths.

**Polarization:** Trapezoidally shaped shells and polarized jackscrews.

**Locking Systems:** Jackscrews and vibration locking systems.

**Mechanical Operations:** 500 operations for open entry contact, 1000 operations for PosiBand closed entry contact with 0.000050 [1.27µ] gold plating. Per IEC 60512-5.

**ELECTRICAL CHARACTERISTICS:**

**SIZE 20 CONTACTS**

**Contact Current Rating:** 7.5 amperes nominal.  
**Initial Contact Resistance:** 0.008 ohms maximum.  
**Proof Voltage:** 1000 V r.m.s.

**SIZE 8 CONTACTS**

**POWER CONTACTS**

*For electrical characteristics, see page 4.*

**SHIELDED CONTACTS**

*For electrical characteristics, see page 61.*

**HIGH VOLTAGE CONTACTS**

*For electrical characteristics, see page 61.*

**CONNECTOR**

**Insulation Resistance:** 5 G ohms.  
**Clearance and Creepage Distance:** 0.039 [1.0mm] minimum.  
**Working Voltage:** 300 V r.m.s.

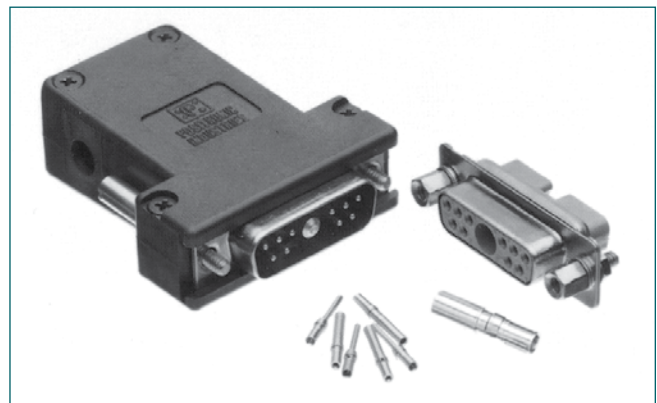
**CLIMATIC CHARACTERISTICS:**

**Temperature Range:** -55°C to +125°C.  
**Damp Heat, Steady State:** 10 days.

**THERMOCOUPLE CONTACTS:**

Size 20 crimp contacts are available. See page 66 for details.

PCB mount contacts are available in CBD/CBM series, see page 4 for details.



**CBC11W1M10Z00  
WITH MS4012D CONTACT**

**CBC11W1S100T20  
WITH FC4008D CONTACT**



**\*1 CONTACT VARIANTS**

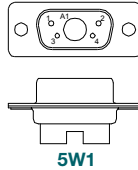
FACE VIEW OF MALE OR REAR VIEW OF FEMALE

**NOTES:**

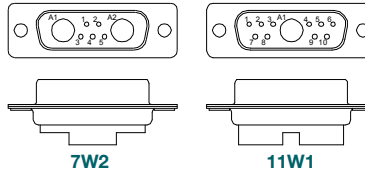
- \*1 Additional contact variants may be tooled at customer request.
- \*2 13W6 and 27W2 variant currently available in female only. Contact Technical Sales for availability of male connector.

**Note:** Connectors can be kitted with all applicable removable contacts, contact Technical Sales for connector part number.

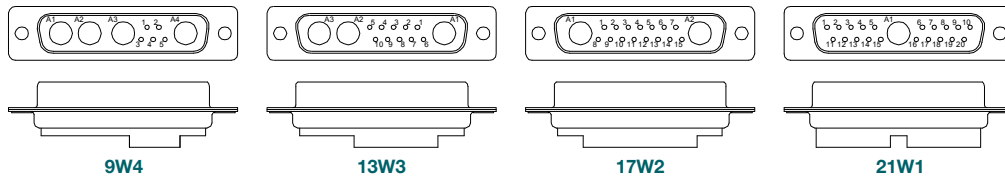
— SHELL SIZE 1 —



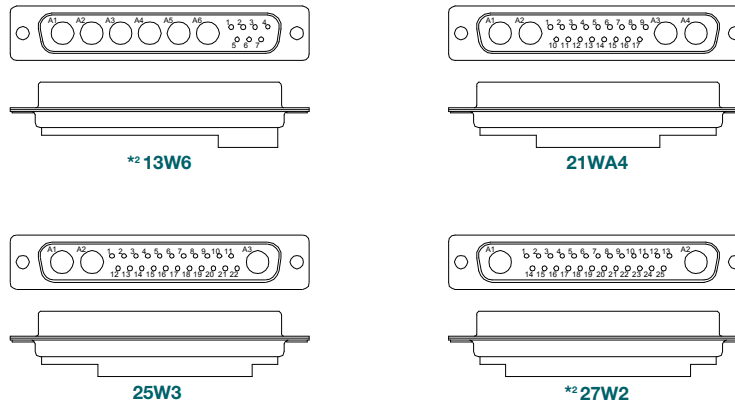
— SHELL SIZE 2 —



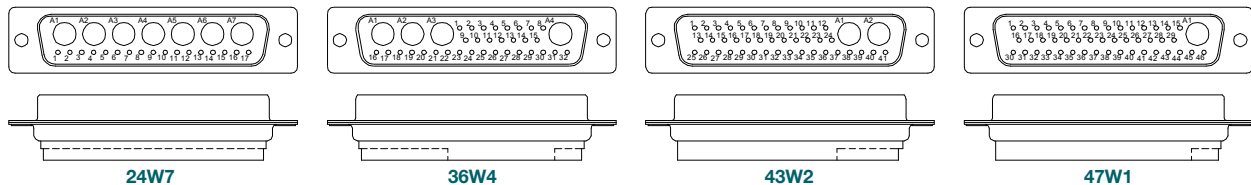
— SHELL SIZE 3 —



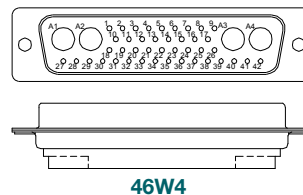
— SHELL SIZE 4 —



— SHELL SIZE 5 —



— SHELL SIZE 6 —





Positronic  
connectpositronic.com

**PROFESSIONAL, INDUSTRIAL AND MILITARY QUALITY**  
**THREE PERFORMANCE LEVELS FOR BEST COST/PERFORMANCE RATIO**  
**STANDARD DENSITY CRIMP REMOVABLE CONTACTS**

**Combo-D**  
**D-Sub**

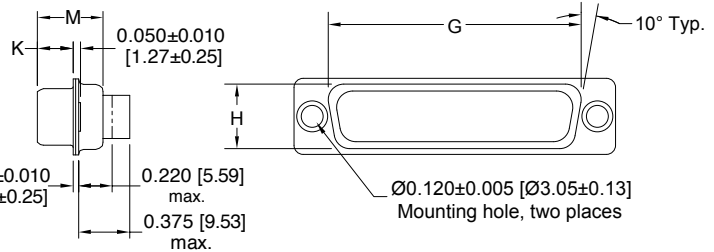
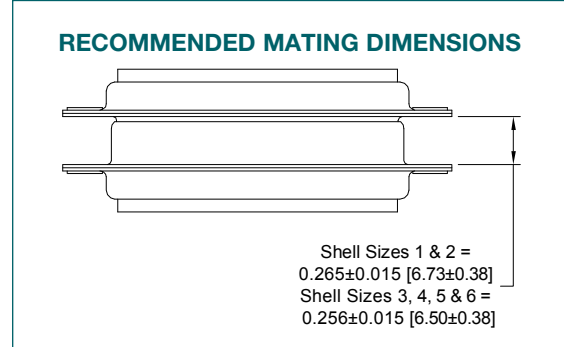
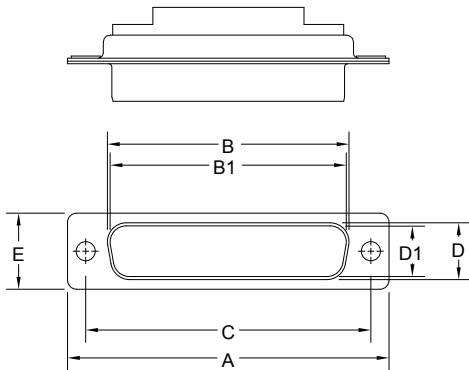
**STANDARD SHELL ASSEMBLY**



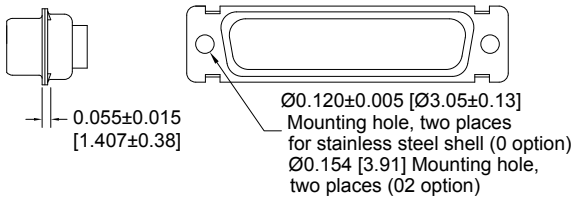
CBC7W2S00000

CBC17W2M00000

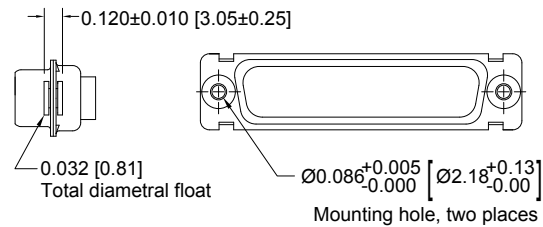
**TYPICAL CONNECTOR TOP VIEW**



**OPTIONAL SHELL ASSEMBLY (0, 02)**



**OPTIONAL SHELL ASSEMBLY WITH UNIVERSAL FLOAT MOUNTS (F)**



SHELL SIZES	A ±0.015 [0.38]	B ±0.005 [0.13]	B1 ±0.005 [0.13]	C ±0.005 [0.13]	D ±0.005 [0.13]	D1 ±0.005 [0.13]	E ±0.015 [0.38]	G ±0.010 [0.25]	H ±0.010 [0.25]	K ±0.005 [0.13]	M ±0.010 [0.25]
SHELL SIZE 1 MALE	1.213 [30.81]		0.666 [16.92]	0.984 [24.99]		0.329 [8.36]	0.494 [12.55]	0.759 [19.28]	0.422 [10.72]	0.233 [5.92]	0.422 [10.72]
SHELL SIZE 1 FEMALE	1.213 [30.81]	0.643 [16.33]		0.984 [24.99]	0.311 [7.90]		0.494 [12.55]	0.759 [19.28]	0.422 [10.72]	0.243 [6.17]	0.429 [10.90]
SHELL SIZE 2 MALE	1.541 [39.14]		0.994 [25.25]	1.312 [33.32]		0.329 [8.36]	0.494 [12.55]	1.083 [27.51]	0.422 [10.72]	0.233 [5.92]	0.422 [10.72]
SHELL SIZE 2 FEMALE	1.541 [39.14]	0.971 [24.66]		1.312 [33.32]	0.311 [7.90]		0.494 [12.55]	1.083 [27.51]	0.422 [10.72]	0.243 [6.17]	0.429 [10.90]
SHELL SIZE 3 MALE	2.088 [53.04]		1.534 [38.96]	1.852 [47.04]		0.329 [8.36]	0.494 [12.55]	1.625 [41.28]	0.422 [10.72]	0.230 [5.84]	0.426 [10.82]
SHELL SIZE 3 FEMALE	2.088 [53.04]	1.511 [38.38]		1.852 [47.04]	0.311 [7.90]		0.494 [12.55]	1.625 [41.28]	0.422 [10.72]	0.243 [6.17]	0.429 [10.90]
SHELL SIZE 4 MALE	2.729 [69.32]		2.182 [55.42]	2.500 [63.50]		0.329 [8.36]	0.494 [12.55]	2.272 [57.71]	0.422 [10.72]	0.230 [5.84]	0.426 [10.82]
SHELL SIZE 4 FEMALE	2.729 [69.32]	2.159 [54.84]		2.500 [63.50]	0.311 [7.90]		0.494 [12.55]	2.272 [57.71]	0.422 [10.72]	0.243 [6.17]	0.429 [10.90]
SHELL SIZE 5 MALE	2.635 [66.93]		2.079 [52.81]	2.406 [61.11]		0.441 [11.20]	0.605 [15.37]	2.178 [55.32]	0.534 [13.56]	0.230 [5.84]	0.426 [10.82]
SHELL SIZE 5 FEMALE	2.635 [66.93]	2.064 [52.43]		2.406 [61.11]	0.423 [10.74]		0.605 [15.37]	2.178 [55.32]	0.534 [13.56]	0.243 [6.17]	0.429 [10.90]
SHELL SIZE 6 MALE	2.729 [69.32]		2.212 [56.18]	2.500 [63.50]		0.503 [12.78]	0.668 [16.97]	2.302 [58.47]	0.596 [15.14]	0.230 [5.84]	0.426 [10.82]
SHELL SIZE 6 FEMALE	2.729 [69.32]	2.189 [55.60]		2.500 [63.50]	0.485 [12.32]		0.668 [16.97]	2.302 [58.47]	0.596 [15.14]	0.243 [6.17]	0.429 [10.90]

DIMENSIONS ARE IN INCHES [MILLIMETERS].  
25 ALL DIMENSIONS ARE SUBJECT TO CHANGE.



**ORDERING INFORMATION - CODE NUMBERING SYSTEM**

Specify Complete Connector By Selecting An Option From Step 1 Through 8

STEP	1	2	3	4	5	6	7	8	9	10
<b>EXAMPLE</b>	<b>CBC</b>	<b>7W2</b>	<b>M</b>	<b>1</b>	<b>0</b>	<b>Z</b>	<b>0</b>	<b>0</b>	<b>/AA</b>	<b>-14</b>
<b>STEP 1 - BASIC SERIES</b> CBC Series										<b>*2 STEP 10 - SPECIAL OPTIONS</b> <b>FOR SPECIAL OPTIONS, SEE SPECIAL OPTIONS APPENDIX ON PAGE 72.</b>
<b>STEP 2 - CONNECTOR VARIANTS</b> Shell Size 1 5W1 Shell Size 2 7W2, 11W1 Shell Size 3 9W4, 13W3, 17W2, 21W1 Shell Size 4 *113W6, 21WA4, 25W3, *127W2 Shell Size 5 24W7, 36W4, 43W2, 47W1 Shell Size 6 46W4										<b>STEP 9 - ENVIRONMENTAL COMPLIANCE OPTIONS</b> /AA - RoHS Compliant <b>NOTE:</b> If compliance to environmental legislation is not required, this step will not be used. Example: CBC7W2M10Z00
<b>STEP 3 - CONNECTOR GENDER</b> M - Male S - Female - Industrial or Military Level PosiBand Closed Entry Signal Contacts  <i>Professional Level female open entry contacts are available and can be ordered separately, see page 65.</i>										<b>STEP 8 - SHELL OPTIONS</b> 0 - Zinc Plated. *4S - Stainless Steel, passivated. X - Tin Plated. Z - Tin Plated and Dimpled (male connectors only)
<b>STEP 4 - CONTACT TERMINATION TYPE</b> 0 - Connector ordered without contacts. Order signal, power, shielded, high voltage, air and thermocouple contacts separately. See pages 60-71 for contact part numbers. 1 - Signal contacts, 20 AWG-24 AWG [0.5mm <sup>2</sup> -0.25mm <sup>2</sup> ]. 11 - Signal contacts, 20 AWG-24 AWG [0.5mm <sup>2</sup> -0.25mm <sup>2</sup> ] with MC/FC 4012D Power Contact. 12 - Signal contacts, 20 AWG-24 AWG [0.5mm <sup>2</sup> -0.25mm <sup>2</sup> ] with MC/FC 4016D power contact. 13 - Signal contacts, 20 AWG-24 AWG [0.5mm <sup>2</sup> -0.25mm <sup>2</sup> ] with MCC/FCC 4101D shielded contacts. 14 - Signal contacts, 20 AWG-24 AWG [0.5mm <sup>2</sup> -0.25mm <sup>2</sup> ] with MCC/FCC 4102D shielded contacts.										<b>*2 STEP 7 - LOCKING AND POLARIZING SYSTEMS</b> 0 - None. V3 - Lock Tab, connector front panel mounted. V5 - Lock Tab, connector rear panel mounted. VL - Lock Lever, used with Hoods only. T - Fixed Female Jackscrews. T2 - Fixed Female Jackscrews. T6 - Fixed Male and Female Polarized Jackscrews. E - Rotating Male Jackscrews. E2 - Rotating Male Screw Locks. E3 - Rotating Male with Internal Hex for 3/32 Hex Drives E6 - Rotating Male and Female Polarized Jackscrews.
<b>*2 STEP 5 - MOUNTING STYLE</b> 0 - Mounting Hole, 0.120 [3.05] Ø *5 02 - Mounting Hole, 0.154 [3.91] Ø F - Float Mounts, Universal S2 - Swaged Spacer, 4-40 Threads, 0.125 [3.18] Length S5 - Swaged Locknut, 4-40 Threads										<b>*2 STEP 6 - HOODS</b> 0 - None H - Hood, Top Opening, Metal, shell sizes 2 through 5 AN - Lightweight Aluminum Hood, nickel finish. AC - Lightweight Aluminum Hood, no finish. *3 G - Hood, EMI/RFI, Die Cast Zinc, shell sizes 1 through 6 Z - Hood, Top or Side Opening, robust extended height, plastic and composite, with rotating jackscrews, shell sizes 1 through 5

**NOTES**

- \*1 Connector variant 13W6 and 27W2 are currently available in female only, contact Technical Sales for availability of male connector.
- \*2 For additional information on accessories listed in steps 5, 6, 7 and 10, see Accessory Catalog.
- \*3 When using G hood with CBC variants, use the extended height hood. See Accessories Catalog for extended G hood options.
- \*4 For stainless steel dimpled male versions, contact Technical Sales.
- \*5 Code 02 mounting hole is only compatible with code 0 in steps 6 and 7.

**For crimping information and crimp tools, see Application Tools section, page 73.**



Positronic  
connectpositronic.com

**PROFESSIONAL, INDUSTRIAL AND MILITARY QUALITY**  
**THREE PERFORMANCE LEVELS FOR BEST COST/PERFORMANCE RATIO**  
**HIGH DENSITY PCB MOUNT**

**Combo-D**  
**D-Sub**

**Size 22 Fixed Signal and Thermocouple Contacts**

**Size 16 Fixed Power Contacts**

**Size 8 Removable Power, Shielded, Air and High Voltage Contacts**

**UL and CSA Recognition, for status contact Technical Sales**



Positronic's Combo-D connectors are a popular choice for a wide variety of applications. Many options make the Combo-D a versatile connector choice.

CBDD high density series connectors are quality connectors recommended for use in sheltered, non-corrosive indoor and outdoor environments having normal ventilation, but without temperature or humidity controls.

CBDD series connectors offer mixed contact combinations of power, signal, and thermocouple contacts within the same connector body.

CBDD series connectors utilize precision machined contacts offering high reliability. Connector variants are available with straight and right angle (90°) printed board mount terminations, including compliant press-fit. For cable connectors see CBCD section, page 39.

Female power contacts feature the Large Surface Area (L.S.A.)

closed entry contact design, which provides maximum mating surfaces between male and female contacts and reduced contact resistance during operation.

Fixed signal contacts are available with open entry female contacts, professional level or PosiBand closed entry female contacts, industrial level. Military contact plating is optional.

A wide assortment of printed board mounting hardware, cable support hoods, and locking systems is available from stock.

A blind mating system is available for applications requiring connector coupling in recessed areas or mobile power coupling systems.

Straight and right angle PCB mount thermocouple contacts are available, please contact Technical Sales for details.

CBDD series connectors utilize precision machined contacts and meet applicable performance and dimensional requirements of IEC 60807-7, MIL-DTL-24308 and AS39029.

**TECHNICAL CHARACTERISTICS**

**MATERIALS AND FINISHES:**

- Insulator:** Glass filled polyester per ASTM D 5927  
UL 94V-0, blue color.
- Contacts:** Precision machined copper alloy.
- Contact Plating:**
  - SIGNAL:** Gold flash over nickel plate. Other finishes available upon request, see page 72.
  - POWER:** Gold flash over nickel. Other finishes available upon request, see page 72.
  - SHIELDED:** For contact platings, see page 60.
  - HIGH VOLTAGE:** For contact platings, see page 60.
- Shells:** Steel with tin plate; zinc plate; stainless steel passivated. Other materials and finishes available upon request.
- Mounting Spacers and Brackets:** Nylon; polyester; copper alloy or steel with zinc plate or tin plate; phosphor bronze with tin plate; stainless steel, passivated.
- Push-On Fasteners:** Phosphor bronze and beryllium copper with tin plate.
- Jackscrew Systems:** Brass or steel with zinc plate or clear zinc plate or tin plate; stainless steel, passivated.
- Hoods:** Composite and plastic, UL 94V-0; brass or steel with zinc plate. Aluminum; aluminum with electroless nickel plate. For aluminum hoods, zinc content is 1% maximum. Die cast zinc.
- Non-magnetic versions are available, contact Technical Sales.**

**MECHANICAL CHARACTERISTICS:**

- Signal Contacts, Fixed:**
  - Size 22 contacts, male – 0.030 inch [0.76mm] mating diameter. Female – open entry or PosiBand closed entry design, see page 61 for details.
- Power Contacts, Fixed:**
  - Size 16 contacts, male – 0.0625 inch [1.588mm] mating diameter. Female contacts - closed entry design.
  - Size 8 contacts, male - 0.142 inch [3.61mm] mating diameter. Female contact features Large Surface Area (L.S.A.) closed entry contact design utilizing BeCu mechanical retention member. Closed crimp barrel.
- Contact Retention in Insulator:**
  - SIGNAL SIZE 22** 5 lbs. [21N] minimum
  - POWER SIZE 16** 6 lbs [26N] minimum
  - SIZE 8** 22 lbs [98N] for power, shielded and high voltage.
- Resistance to Solder Iron Heat:** 500°F [260°C] for 10 seconds duration per IEC 60512-6.
- Signal Contact Terminations:**
  - Solder contacts - 0.035 inch [0.89mm] minimum hole diameter for 22 AWG [0.3 mm<sup>2</sup>] wire maximum.
  - Straight Printed Board Mount – 0.020 inch [0.51mm] diameter.

**CBDD/CBHD SERIES**



## TECHNICAL CHARACTERISTICS, continued

continued from previous page. . . .

<b>Power Contacts, Terminations:</b>	Right Angle (90°) Printed Board Mount – 0.030 inch [0.76 mm] diameter.  Size 16 contacts- printed board terminations with 0.063 inch [1.60mm] diameters.  Size 8 contacts - printed board terminations with 0.078 inch [1.98mm], 0.094 inch [2.39mm] and 0.125 inch [3.18mm] termination diameters.
<b>Shielded Contacts, Removable:</b>	See table of cable sizes for contact termination dimensions, page 70.
<b>High Voltage Contacts:</b>	Straight and right angle (90°) terminations – 0.041 inch [1.04mm] minimum hole diameter.
<b>Shells:</b>	Male shells may be dimpled for EMI/ESD ground paths.
<b>Polarization:</b>	Trapezoidally shaped shells and polarized jackscrews.
<b>Mounting to Angle Brackets:</b>	Jackscrews and riveted fasteners with 0.120 inch [3.05mm] diameter hole, and threaded riveted fasteners with 4-40 threads and nylon inserts.
<b>Mounting to Printed Board:</b>	Rapid installation push-on fasteners and threaded posts.
<b>Locking Systems:</b>	Jackscrews and vibration locking systems.
<b>Mechanical Operations:</b>	Open entry, 500 operations. PosiBand closed entry, 1000 operations minimum. Per IEC 60512-5.

### SIZE 16 CONTACTS

#### POWER CONTACTS

Contact Current Rating - Tested per UL 1977:

Standard Contact Material: 28 amperes.  
High Conductivity Contact Material: 40 amperes.

See Temperature Rise Curves on page 2 for details.

Initial Contact Resistance:

Standard Contact Material: 0.0016 ohms max. Per IEC 60512-2, Test 2b.

High Conductivity

Contact Material: 0.001 ohms max. Per IEC 60512-2, Test 2b.

Proof Voltage:

1000 V r.m.s.

### SIZE 8 CONTACTS

#### POWER CONTACTS

For electrical characteristics, see page 4.

#### SHIELDED CONTACTS

For electrical characteristics, see page 61.

#### HIGH VOLTAGE CONTACTS

For electrical characteristics, see page 61.

### CONNECTOR

Insulation Resistance: 5 G ohms.

Clearance and

Creepage Distance: 0.042 inch [1.06mm] minimum.

Working Voltage:

300 V r.m.s.

### CLIMATIC CHARACTERISTICS:

Temperature Range:

-55°C to +125°C.

Damp Heat, Steady State:

10 days.

### THERMOCOUPLE CONTACTS:

Straight and right angle PCB mount contacts are available, please contact Technical Sales for details.

Size 22 crimp contacts are available in CBCD series, see page 63 for details.

### ELECTRICAL CHARACTERISTICS:

#### SIZE 22 CONTACT

Contact Current Rating: 5 amperes nominal.

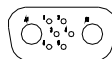
Initial Contact Resistance: 0.010 ohms maximum for open entry  
0.005 ohms maximum for closed entry

Proof Voltage: 1000 V r.m.s.

## \*1 CONTACT VARIANT

FACE VIEW OF MALE OR REAR VIEW OF FEMALE

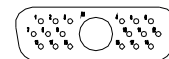
### — SHELL SIZE 1 —



**8W2**

Six Size 22 Signal Contacts and  
Two Size 16 Power Contacts

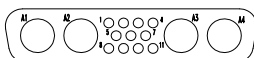
### — SHELL SIZE 2 —



**19W1**

Eighteen Size 22 Signal Contacts  
and One Size 8 Power Contact

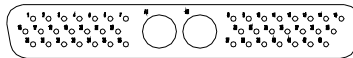
### — SHELL SIZE 3 —



**\*2 15W4**

Eleven Size 22 Signal Contacts  
and Four Size 8 Power Contacts

### — SHELL SIZE 4 —



**\*3 45W2**

Forty-three Size 22 Signal Contacts  
and Two Size 8 Power Contacts

### NOTES:

\*1 Additional contact variants may be tooled at customer request.

\*2 For technical, dimensional and PCB layout information on 15W4 variants, contact Technical Sales.

\*3 45W2 variant currently available in male only. Contact Technical Sales for availability of female connector.

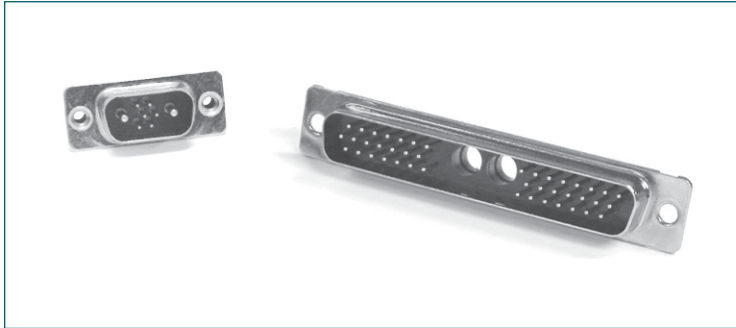


Positronic  
connectpositronic.com

PROFESSIONAL, INDUSTRIAL AND MILITARY QUALITY  
THREE PERFORMANCE LEVELS FOR BEST COST/PERFORMANCE RATIO  
HIGH DENSITY PCB MOUNT

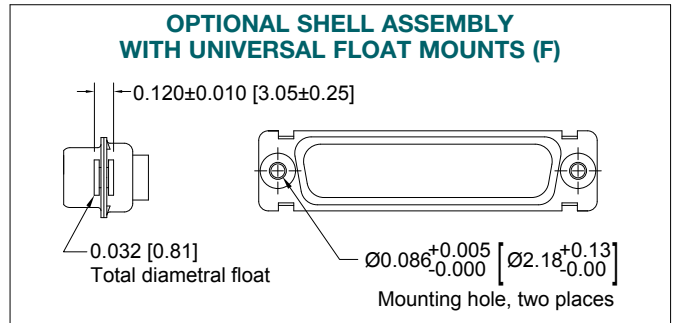
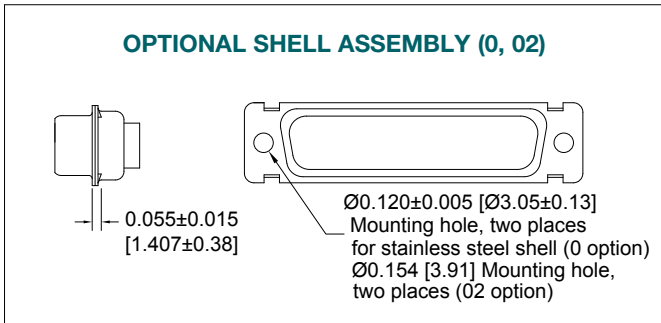
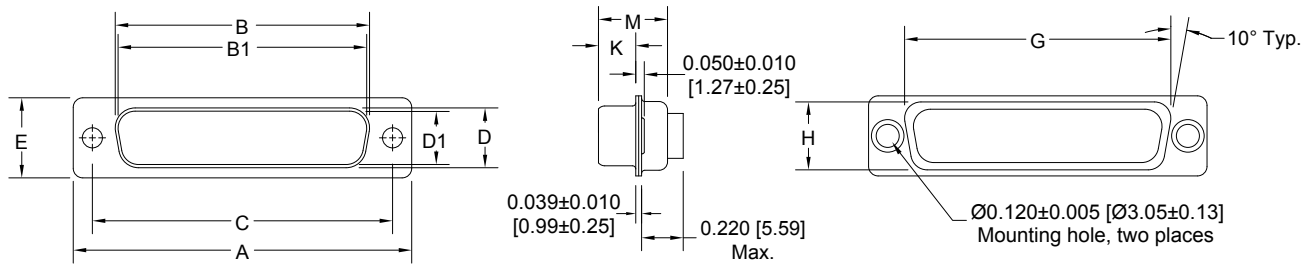
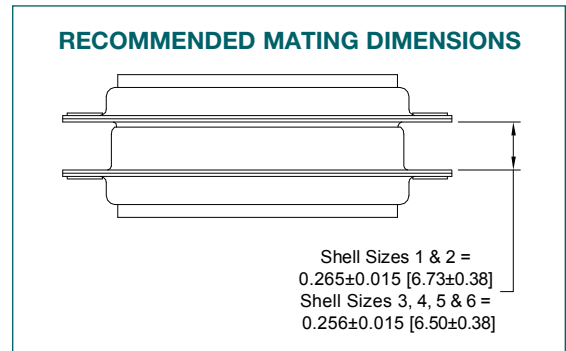
Combo-D  
D-Sub

### STANDARD SHELL ASSEMBLY



CBDD8W2M3S000

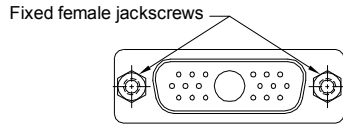
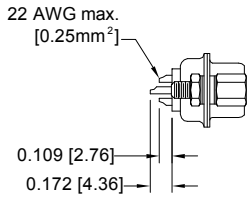
CBDD45W2M30000



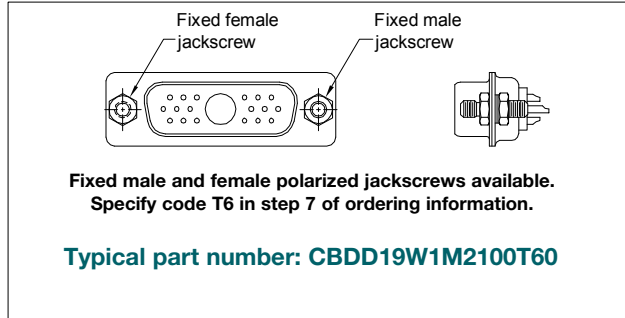
CBDD/CBHD SERIES

SHELL SIZES	VARIANT	A ±0.015 [0.38]	B ±0.005 [0.13]	B1 ±0.005 [0.13]	C ±0.005 [0.13]	D ±0.005 [0.13]	D1 ±0.005 [0.13]	E ±0.015 [0.38]	G ±0.010 [0.25]	H ±0.010 [0.25]	K ±0.005 [0.13]	M ±0.010 [0.25]
1	8W2M	1.213 [30.81]		0.666 [16.92]	0.984 [24.99]		0.329 [8.36]	0.494 [12.55]	0.759 [19.28]	0.422 [10.72]	0.233 [5.92]	0.422 [10.72]
	8W2F	1.213 [30.81]	0.643 [16.33]		0.984 [24.99]	0.311 [7.90]		0.494 [12.55]	0.759 [19.28]	0.422 [10.72]	0.243 [6.17]	0.429 [10.90]
	8W2S	1.213 [30.81]			0.984 [24.99]			0.494 [12.55]	0.759 [19.28]	0.422 [10.72]	0.243 [6.17]	0.429 [10.90]
2	19W1M	1.541 [39.14]		0.994 [25.25]	1.312 [33.32]		0.329 [8.36]	0.494 [12.55]	1.083 [27.51]	0.422 [10.72]	0.233 [5.92]	0.422 [10.72]
	19W1F	1.541 [39.14]	0.971 [24.66]		1.312 [33.32]	0.311 [7.90]		0.494 [12.55]	1.083 [27.51]	0.422 [10.72]	0.243 [6.17]	0.429 [10.90]
	19W1S	1.541 [39.14]			1.312 [33.32]			0.494 [12.55]	1.083 [27.51]	0.422 [10.72]	0.243 [6.17]	0.429 [10.90]
4	45W2M	2.729 [69.32]		2.182 [55.42]	2.500 [63.50]		0.329 [8.36]	0.494 [12.55]	2.272 [57.71]	0.422 [10.72]	0.230 [5.84]	0.426 [10.82]

**SOLDER CUP CONNECTOR  
CODE 21**



For solder cup contacts, specify code 21 in step 4 of ordering information.



Fixed male and female polarized jackscrews available. Specify code T6 in step 7 of ordering information.

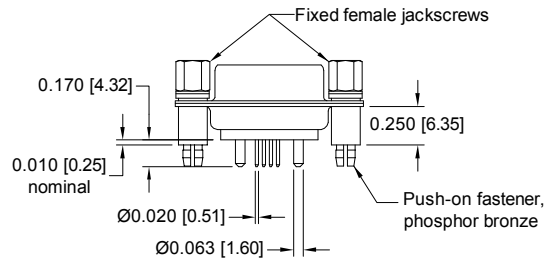
Typical part number: **CBDD19W1M2100T60**

Typical part number: **CBDD19W1M2100T0**

**STRAIGHT PRINTED BOARD MOUNT CONNECTOR  
CODE 3, 35, 36, AND 37**

CONTACT CODE	D Ø
3	-----

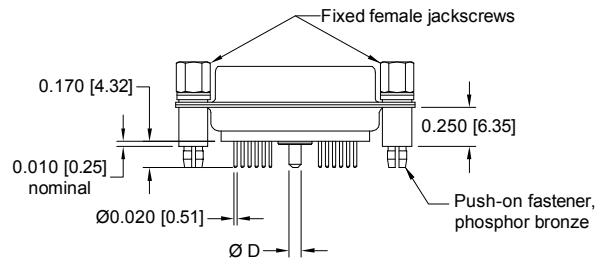
For straight printed board mount contacts, specify code 3 in step 4 of ordering information.



Typical part number: **CBDD8W2F3S60T2X**

CONTACT CODE	D Ø
3	-----
35	0.078 [1.98]
36	0.094 [2.39]
37	0.125 [3.18]

For straight printed board mount contacts, specify code no. in step 4 of ordering information.

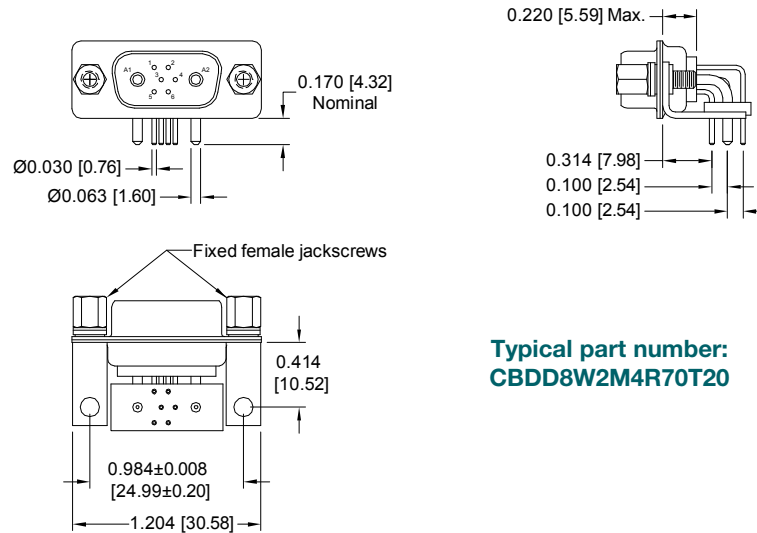


Typical part number: **CBDD19W1F35S60T2X**



**RIGHT ANGLE (90°) PRINTED BOARD MOUNT CONNECTOR**  
**SIZE 16 POWER CONTACTS WITH 0.063 [1.60] Ø TERMINATIONS**  
**CODE 4, 0.314 [7.98] CONTACT EXTENSION**

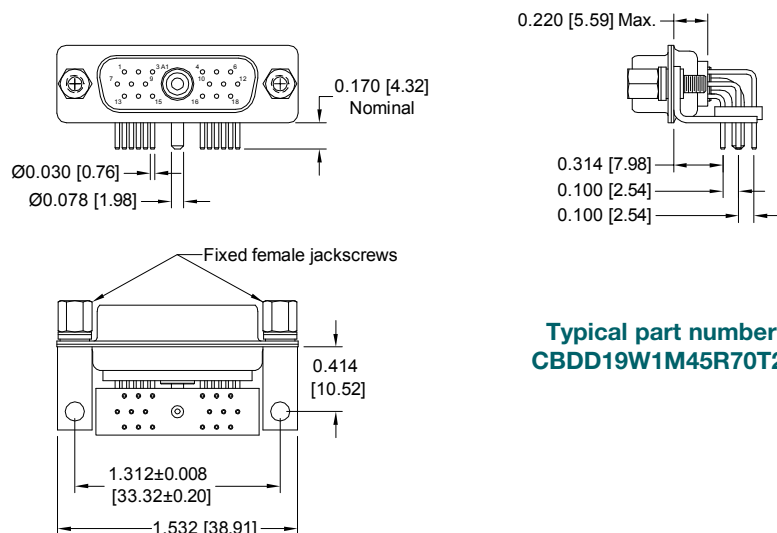
See temperature rise curves on pages 1 and 2



Typical part number:  
**CBDD8W2M4R70T20**

**RIGHT ANGLE (90°) PRINTED BOARD MOUNT CONNECTOR**  
**SIZE 8 POWER CONTACTS WITH 0.078 [1.98] Ø TERMINATIONS**  
**CODE 4 AND 45, 0.314 [7.98] CONTACT EXTENSION**

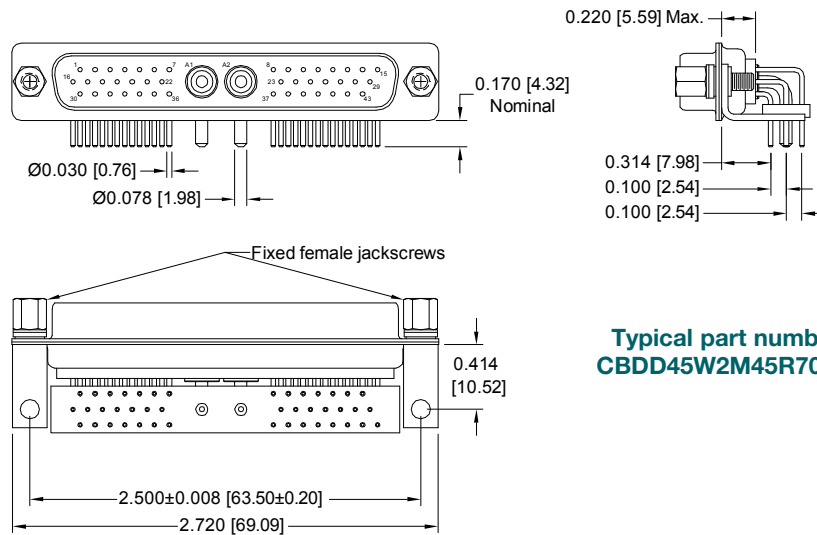
See temperature rise curves on pages 1 and 2



Typical part number:  
**CBDD19W1M45R70T20**

**RIGHT ANGLE (90°) PRINTED BOARD MOUNT CONNECTOR**  
**SIZE 8 POWER CONTACTS WITH 0.078 [1.98] Ø TERMINATIONS**  
**CODE 4 AND 45, 0.314 [7.98] CONTACT EXTENSION**

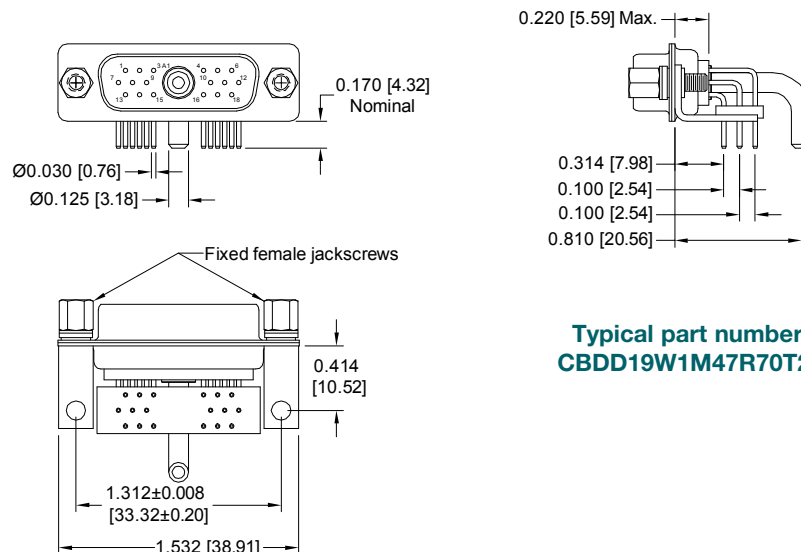
See temperature rise curves on pages 1 and 2



Typical part number:  
**CBDD45W2M45R70T20**

**RIGHT ANGLE (90°) PRINTED BOARD MOUNT CONNECTOR**  
**SIZE 8 POWER CONTACTS WITH 0.125 [3.18] Ø TERMINATIONS**  
**CODE 4 AND 47, 0.314 [7.98] CONTACT EXTENSION**

See temperature rise curves on pages 1 and 2



Typical part number:  
**CBDD19W1M47R70T20**



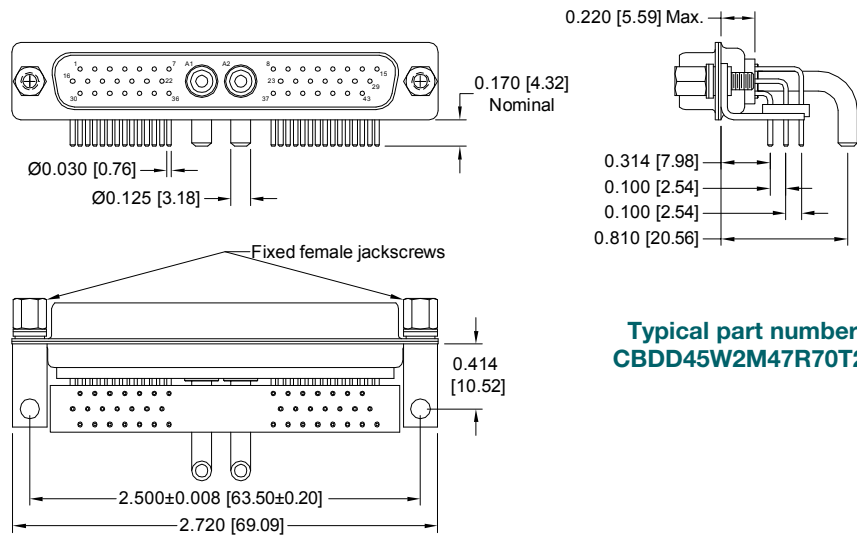
Positronic  
connectpositronic.com

PROFESSIONAL, INDUSTRIAL AND MILITARY QUALITY  
THREE PERFORMANCE LEVELS FOR BEST COST/PERFORMANCE RATIO  
HIGH DENSITY PCB MOUNT

Combo-D  
D-Sub

**RIGHT ANGLE (90°) PRINTED BOARD MOUNT CONNECTOR**  
**SIZE 8 POWER CONTACTS WITH 0.125 [3.18] Ø TERMINATIONS**  
**CODE 4 AND 47, 0.314 [7.98] CONTACT EXTENSION**

See temperature rise curves on pages 1 and 2



Typical part number:  
**CBDD45W2M47R70T20**

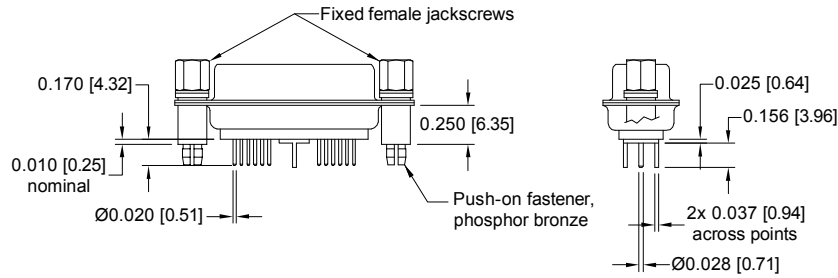
# Connectors Designed To Customer Specifications

*Positronic Combo-D connectors can be modified to customers specifications.*

**Examples:** select loading of contacts for cost savings or to gain creepage and clearance distances; longer PCB terminations; customer specified hardware; sealing for water resistance.

**Contact Technical Sales with your particular requirements.**

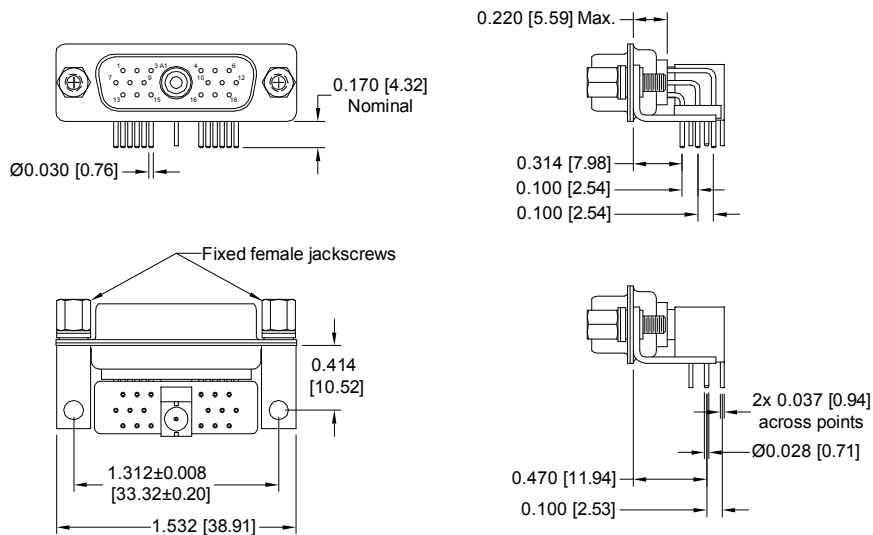
**STRAIGHT PRINTED BOARD MOUNT CONNECTOR  
WITH FDS4201D OR MDS4201D SHIELDED CONTACTS  
CODE 65**



Typical part number:  
**CBDD19W1M65S60T20**

Shielded contacts only  
visible this view for clarity

**RIGHT ANGLE (90°) PRINTED BOARD MOUNT CONNECTOR  
WITH FRT4201D OR MRT4201D SHIELDED CONTACTS  
CODE 84**



Typical part number:  
**CBDD19W1M84R70T20**

Shielded contacts only  
visible this view for clarity



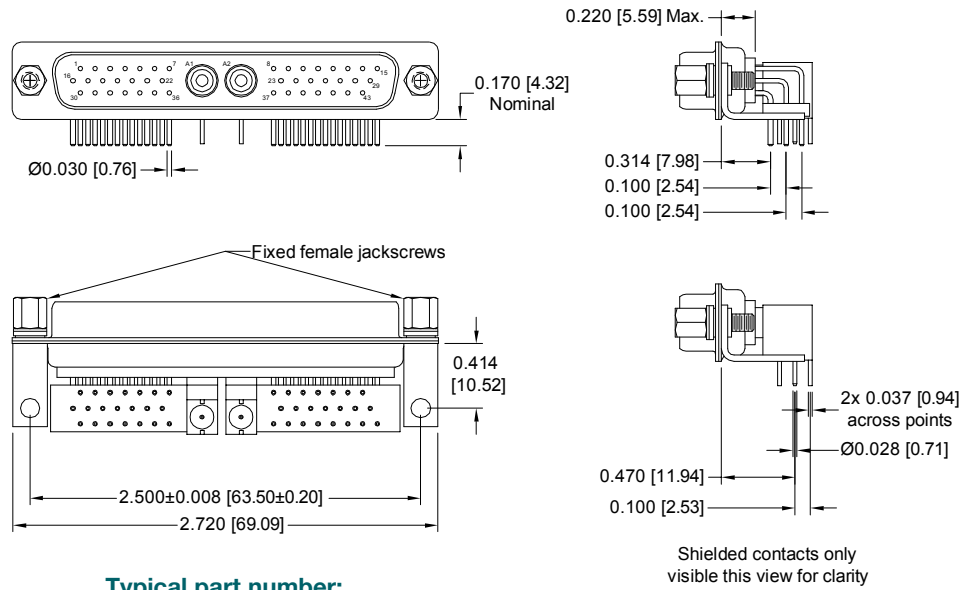
Positronic  
connectpositronic.com

**PROFESSIONAL, INDUSTRIAL AND MILITARY QUALITY**  
**THREE PERFORMANCE LEVELS FOR BEST COST/PERFORMANCE RATIO**  
**HIGH DENSITY PCB MOUNT**

**Combo-D**  
**D-Sub**

**RIGHT ANGLE (90°) PRINTED BOARD MOUNT CONNECTOR**  
**WITH FRT4201D OR MRT4201D SHIELDED CONTACTS**

**CODE 84**

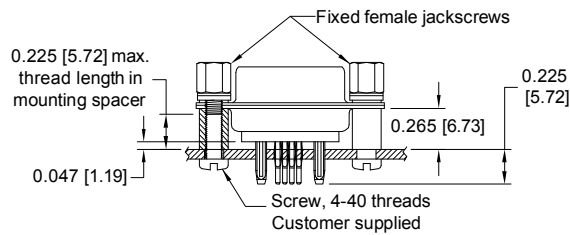


**Typical part number:**  
**CBDD45W2M84R70T20**

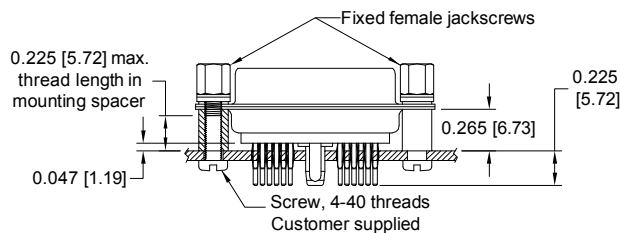
**COMPLIANT PRESS-FIT CONNECTOR**

**CODE 93**

Positronic **recommends** the practice of **using mounting hardware** to secure connector to printed circuit board.



**TYPICAL PART NUMBER: CBDD8W2M93S0T20**

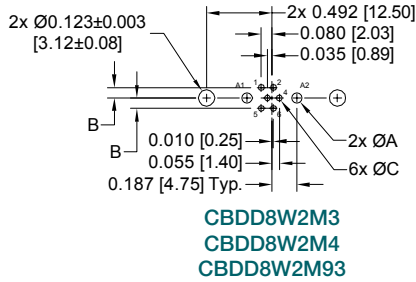


**TYPICAL PART NUMBER: CBDD19W1M93S0T20**

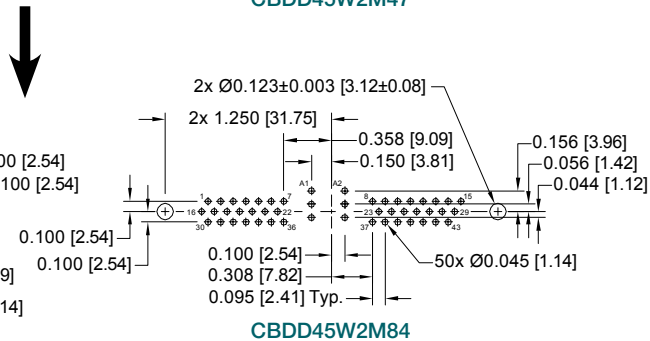
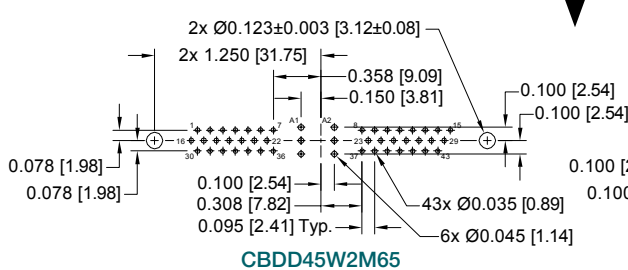
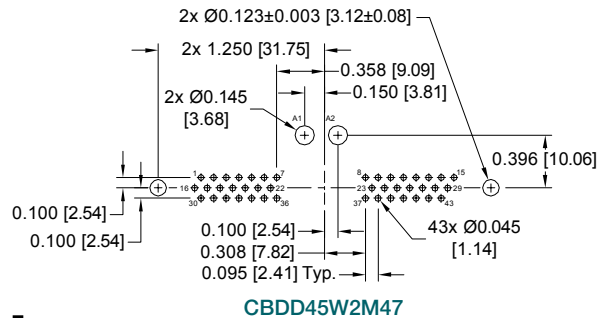
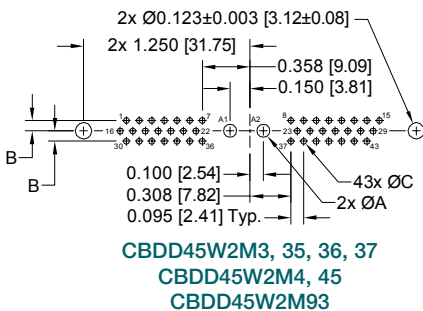
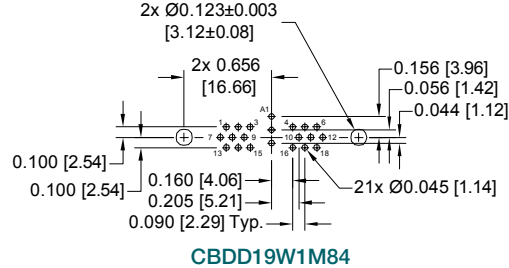
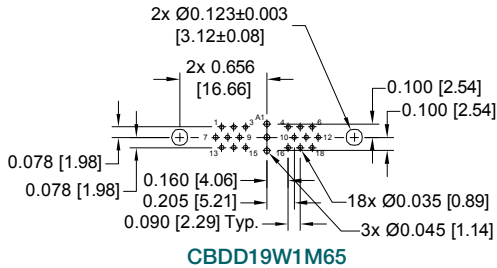
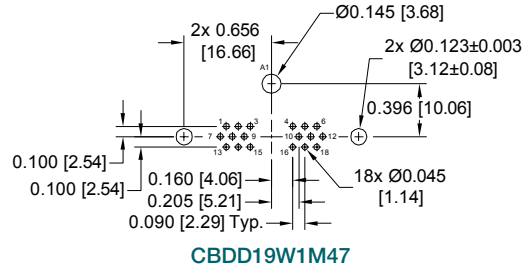
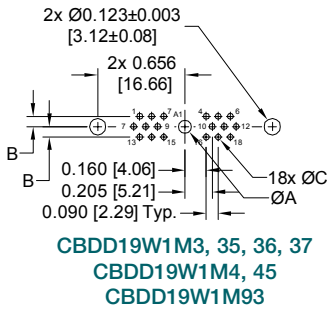


**PRINTED BOARD MOUNT CONTACT HOLE PATTERN**

HOLE IDENTIFICATION SHOWN FOR MALE CONNECTOR; USE MIRROR IMAGE FOR FEMALE CONNECTOR.  
MOUNT RIGHT ANGLE (90°) CONNECTOR WITH MATING FACE POSITIONED TO FOLLOW DIRECTION OF ARROWS.



SUGGESTED BOARD HOLE SIZES	VARIANT	CODE	ØA	B	ØC
	8W2		3	0.080 [2.03]	0.078 [1.98]
		4	0.080 [2.03]	0.100 [2.54]	0.045 [1.14]
		93	See chart for size 16 contact on page 76.	0.078 [1.98]	See chart for size 22 contact on page 76.
19W1 AND 45W2		3, 35	0.098 [2.49]	0.078 [1.98]	0.035 [0.89]
		36	0.114 [2.90]		
		37	0.145 [3.68]		
		4, 45	0.098 [2.49]	0.100 [2.54]	0.045 [1.14]
		47	N/A	N/A	N/A
		65	N/A	N/A	N/A
		84	N/A	N/A	N/A
	93	See chart for size 8 contact on page 76.	0.078 [1.98]	See chart for size 22 contact on page 76.	





Positronic  
connectpositronic.com

PROFESSIONAL, INDUSTRIAL AND MILITARY QUALITY  
THREE PERFORMANCE LEVELS FOR BEST COST/PERFORMANCE RATIO  
HIGH DENSITY PCB MOUNT

Combo-D  
D-Sub

## ORDERING INFORMATION - CODE NUMBERING SYSTEM

Specify Complete Connector By Selecting An Option From Step 1 Through 8

# FOR CONNECTORS NOT INCLUDING SIZE 8 CONTACTS

STEP	1	2	3	4	5	6	7	8	9	10
EXAMPLE	CBDD	8W2	M	93	S	0	0	0	/AA	-14

### STEP 1 - BASIC SERIES

CBDD Series -  
CBHD Series - High Conductivity  
Power Contacts

### STEP 2 - CONNECTOR VARIANTS

Shell Size 1 - 8W2

See next page for ordering information  
for other shell size options.

### STEP 3 - CONNECTOR GENDER

\*1 F - Female - Professional Level -  
Open Entry Signal Contacts

M - Male

\*1 S - Female - Industrial / Military Level -  
PosiBand Closed Entry Signal Contacts

### STEP 4 - CONTACT TERMINATION TYPE

\*5 21 - Fixed Solder Cup, 22 AWG-30 AWG [0.3mm<sup>2</sup>-0.05mm<sup>2</sup>].

\*5 3 - Solder, Straight Printed Board Mount, 0.170 [4.32] Tail  
length.

\*5 4 - Solder, Right Angle (90°) Printed Board Mount,  
0.314 [7.98] Signal Contact Extension.

93 - Signal Omega type compliant and Power Bi-Spring type  
compliant, termination length 0.225 [5.72].

### \*2 STEP 5 - MOUNTING STYLE

0 - Mounting Hole, 0.120 [3.05] Ø

\*6 02 - Mounting Hole, 0.154 [3.91] Ø

B3 - Bracket, Mounting, Right Angle (90°) Metal with Cross Bar

B8 - Bracket, Mounting, Right Angle (90°) Plastic with Cross Bar

F - Float Mounts, Universal

P - Threaded Post, Brass, 0.250 [6.35] Length

P2 - Threaded Post, Nylon, 0.250 [6.35] Length

R2 - Bracket, Mounting, Right Angle (90°) Metal, Swaged to Connector  
with 4-40 Thread Fixed Female Jackscrews with Cross Bar

R6 - Bracket, Mounting, Right Angle (90°) Metal, Swaged to Connector  
with 0.120 [3.05] Ø Mounting Hole with Cross Bar

R7 - Bracket, Mounting, Right Angle (90°) Metal, Swaged to Connector  
with 4-40 Threads with Cross Bar

R8 - Bracket, Mounting, Right Angle (90°) Metal, Swaged to Connector  
with 4-40 Locknut with Cross Bar

S - Swaged Spacer, 4-40 Threads, 0.250 [6.35] Length, Spacer length  
changes to 0.265 [6.73] when used in conjunction with Code 93  
contacts

S2 - Swaged Spacer, 4-40 Threads, 0.125 [3.18] Length

S5 - Swaged Locknut, 4-40 Threads

S6 - Swaged Spacer with Push-on Fastener, 4-40 Threads, 0.250 [6.35]  
Length

### \*2 STEP 10 - SPECIAL OPTIONS

FOR SPECIAL OPTIONS, SEE  
SPECIAL OPTIONS APPENDIX  
ON PAGE 72.

CONTACT TECHNICAL SALES  
FOR ORDERING DETAILS OF  
THE FOLLOWING:

Other Special Requirements.  
Straight and Right Angle Thermocouple  
PCB mount contacts

### STEP 9 - ENVIRONMENTAL COMPLIANCE OPTIONS

/AA - RoHS Compliant

NOTE: If compliance to environmental  
legislation is not required, this step will not be  
used. Example: CBDD8W2M93S000

### STEP 8 - SHELL OPTIONS

0 - Zinc Plated.

\*4 S - Stainless Steel, passivated.

X - Tin Plated.

Z - Tin Plated and Dimpled (male connectors only).

### \*2 STEP 7 - LOCKING AND POLARIZING SYSTEMS

0 - None.

V3 - Lock Tab, connector front panel mounted.

V5 - Lock Tab, connector rear panel mounted.

VL - Lock Lever, used with Hoods only.

T - Fixed Female Jackscrews.

T2 - Fixed Female Jackscrews.

T6 - Fixed Male and Female Polarized Jackscrews.

E - Rotating Male Jackscrews.

E2 - Rotating Male Screw Locks.

E3 - Rotating Male with Internal Hex for 3/32 Hex Drives

E6 - Rotating Male and Female Polarized Jackscrews.

### \*2 STEP 6 - HOODS AND PUSH-ON FASTENERS

0 - None

AN - Lightweight Aluminum Hood, nickel finish

AC - Lightweight Aluminum Hood, no finish

H - Hood, Top Opening, Metal

\*3 G - Hood, EMI/RFI, Die Cast Zinc

N - Push-on Fastener, for Right Angle (90°) Mounting Brackets

Z - Hood, Top or Side Opening, robust extended height, plastic  
and composite, with rotating male jackscrews

### NOTES

\*1 Power contacts are always supplied with "Closed Entry" female contacts.

\*2 For additional information on accessories listed in steps 5, 6, 7 and 10,  
see Accessory Catalog.

\*3 When using G hood with CBDD variants, use the extended height hood.  
See Accessory Catalog for extended G hood options.

\*4 For stainless steel dimpled male versions, contact Technical Sales.

\*5 Size 16 power contact are included.

\*6 Code 02 mounting hole is only compatible with code 0 in steps 6 and 7.



**ORDERING INFORMATION - CODE NUMBERING SYSTEM**

Specify Complete Connector By Selecting An Option From Step 1 Through 8

**FOR CONNECTORS INCLUDING SIZE 8 CONTACTS**

STEP	1	2	3	4	5	6	7	8	9	10
<b>EXAMPLE</b>	CBDD	19W1	M	93	S	0	0	0	/AA	-14
<b>STEP 1 - BASIC SERIES</b> CBDD Series - CBHD Series - High Conductivity Power Contacts										<b>*3 STEP 10 - SPECIAL OPTIONS</b>  <b>FOR SPECIAL OPTIONS, SEE SPECIAL OPTIONS APPENDIX ON PAGE 72.</b>  <b>CONTACT TECHNICAL SALES FOR ORDERING DETAILS OF THE FOLLOWING:</b> Other Special Requirements. Straight and Right Angle Thermocouple PCB mount contacts  <b>STEP 9 - ENVIRONMENTAL COMPLIANCE OPTIONS</b> /AA - RoHS Compliant  <b>NOTE:</b> If compliance to environmental legislation is not required, this step will not be used. Example: CBDD8W2M93S000  <b>STEP 8 - SHELL OPTIONS</b> 0 - Zinc Plated. *5S - Stainless Steel, passivated. X - Tin Plated. Z - Tin Plated and Dimpled (male connectors only).  <b>*3 STEP 7 - LOCKING AND POLARIZING SYSTEMS</b> 0 - None. V3 - Lock Tab, connector front panel mounted. V5 - Lock Tab, connector rear panel mounted. VL - Lock Lever, used with Hoods only. T - Fixed Female Jackscrews. T2 - Fixed Female Jackscrews. T6 - Fixed Male and Female Polarized Jackscrews. E - Rotating Male Jackscrews. E2 - Rotating Male Screw Locks. E3 - Rotating Male with Internal Hex for 3/32 Hex Drives E6 - Rotating Male and Female Polarized Jackscrews.  <b>*3 STEP 6 - HOODS AND PUSH-ON FASTENERS</b> 0 - None AN - Lightweight Aluminum Hood, nickel finish AC - Lightweight Aluminum Hood, no finish H - Hood, Top Opening, Metal *4G - Hood, EMI/RFI, Die Cast Zinc N - Push-on Fastener, for Right Angle (90°) Mounting Brackets Z - Hood, Top or Side Opening, robust extended height, plastic and composite, with rotating male jackscrews
<b>STEP 2 - CONNECTOR VARIANTS</b> Shell Size 2 - 19W1 *6 Shell Size 3 - 15W4 *1 Shell Size 4 - 45W2										
<b>STEP 3 - CONNECTOR GENDER</b> *2 F - Female - Professional Level - Open Entry Signal Contacts M - Male *2 S - Female - Industrial / Military Level - PosiBand Closed Entry Signal Contacts										
<b>STEP 4 - CONTACT TERMINATION TYPE</b> 21 - Fixed Solder Cup, 22 AWG-30 AWG [0.3mm <sup>2</sup> -0.05mm <sup>2</sup> ]. 3 - Solder, Straight Printed Board Mount with Signal Contacts 0.170 [4.32] Tail Length. 35 - Solder, Straight Printed Board Mount with Signal and 0.078 [1.98] Ø Power Contacts, 0.170 [4.32] Tail Length. 36 - Solder, Straight Printed Board Mount with Signal and 0.094 [2.39] Ø Power Contacts, 0.170 [4.32] Tail Length. 37 - Solder, Straight Printed Board Mount with Signal and 0.125 [3.18] Ø Power Contacts, 0.170 [4.32] Tail Length. 4 - Solder, Right Angle (90°) Printed Board Mount with Signal Contacts, 0.314 [7.98] Signal Contact Extension. 45 - Solder, Right Angle (90°) Printed Board Mount with Signal and 0.078 [1.98] Ø Power Contacts, 0.314 [7.98] Signal Contact Extension. 47 - Solder, Right Angle (90°) Printed Board Mount with Signal and 0.125 [3.18] Ø Power Contacts, 0.314 [7.98] Signal Contact Extension. 65 - Solder, Straight Printed Board Mount with Signal and Shielded Contacts MDS/FDS 4201D footprint, 0.170 [4.32] Signal Contact Tail Length. 84 - Solder, Right Angle (90°) Printed Board Mount with Signal and Shielded Contacts MRT/FRT 4201D footprint, 0.314 [7.98] Signal Contact Extension. 93 - Signal Omega type compliant and Power Bi-Spring type compliant, termination length 0.225 [5.72].										
<b>*3 STEP 5 - MOUNTING STYLE</b> 0 - Mounting Hole, 0.120 [3.05] Ø *7 02 - Mounting Hole, 0.154 [3.91] Ø B3 - Bracket, Mounting, Right Angle (90°) Metal with Cross Bar B8 - Bracket, Mounting, Right Angle (90°) Plastic with Cross Bar F - Float Mounts, Universal P - Threaded Post, Brass, 0.250 [6.35] Length P2 - Threaded Post, Nylon, 0.250 [6.35] Length R2 - Bracket, Mounting, Right Angle (90°) Metal, Swaged to Connector with 4-40 Thread Fixed Female Jackscrews with Cross Bar R6 - Bracket, Mounting, Right Angle (90°) Metal, Swaged to Connector with 0.120 [3.05] Ø Mounting Hole with Cross Bar R7 - Bracket, Mounting, Right Angle (90°) Metal, Swaged to Connector with 4-40 Threads with Cross Bar R8 - Bracket, Mounting, Right Angle (90°) Metal, Swaged to Connector with 4-40 Locknut with Cross Bar S - Swaged Spacer, 4-40 Threads, 0.250 [6.35] Length, Spacer length changes to 0.265 [6.73] when used in conjunction with Code 93 contacts S2 - Swaged Spacer, 4-40 Threads, 0.125 [3.18] Length S5 - Swaged Locknut, 4-40 Threads S6 - Swaged Spacer with Push-on Fastener, 4-40 Threads, 0.250 [6.35] Length										
<b>NOTES</b> *1 45W2 variant currently available in male only. *2 Power contacts are always supplied with "Closed Entry" female contacts. *3 For additional information on accessories listed in steps 5, 6, 7 and 10, see Accessory Catalog. *4 When using G hood with CBDD variants, use the extended height hood. See Accessories Catalog for extended G hood options. *5 For stainless steel dimpled male versions, contact Technical Sales. *6 For technical, dimensional and PCB layout information on 15W4 variants, contact Technical Sales. *7 Code 02 mounting hole is only compatible with code 0 in steps 6 and 7.										



Positronic  
connectpositronic.com

**PROFESSIONAL, INDUSTRIAL AND MILITARY QUALITY**  
**THREE PERFORMANCE LEVELS FOR BEST COST/PERFORMANCE RATIO**  
**HIGH DENSITY CRIMP / SOLDER REMOVABLE CONTACTS**

**Combo-D**  
**D-Sub**

**Size 22 Removable Signal and Thermocouple Crimp Contacts**

**Size 16 Removable Power Contacts**

**Size 8 Removable Power, Shielded, Air and High Voltage Contacts**

**UL and CSA Recognition, for status contact Technical Sales**



CBCD high density series connectors are quality connectors designed for use in sheltered, mildly corrosive environments having a wide range of temperature, pressure and humidity changes. CBCD series connectors offer mixed crimp-removable contact combinations of power, signal, and thermocouple contacts within the same connector body.

A wide assortment of cable support hoods and locking systems is available from stock.

CBCD series connectors also offer a blind mating connector system for applications requiring connector couplings in recessed areas or for mobile power coupling systems.

CBCD series connectors utilize precision machined contacts and meet applicable performance and dimensional requirements of IEC 60807-7, MIL-DTL-24308 and AS39029.

## TECHNICAL CHARACTERISTICS

### MATERIALS AND FINISHES:

<b>Insulator:</b>	Glass filled polyester per ASTM D 5927 UL 94V-0, blue color.
<b>Contacts:</b>	Precision machined copper alloy.
<b>Contact Plating:</b>	
<b>SIGNAL:</b>	Gold flash over nickel plate and gold 0.000050 [1.27µ] over nickel plate. Other finishes available upon request, see page 72.
<b>POWER:</b>	Gold flash over nickel. Other finishes available upon request, see page 72.
<b>SHIELDED:</b>	For contact platings, see page 60.
<b>HIGH VOLTAGE:</b>	For contact platings, see page 60.
<b>Shells:</b>	Steel with tin plate; zinc plate; stainless steel passivated. Other materials and finishes available upon request.
<b>Mounting Spacers:</b>	Copper alloy or steel with zinc plate or tin plate; stainless steel, passivated.
<b>Jackscrew Systems:</b>	Brass or steel with zinc plate or clear zinc plate or tin plate; stainless steel, passivated.
<b>Hoods:</b>	Composite and plastic, UL 94V-0; brass or steel with zinc plate. Aluminum; aluminum with electroless nickel plate. For aluminum hoods, zinc content is 1% maximum. Die cast zinc.

Non-magnetic versions are available, contact Technical Sales.

### MECHANICAL CHARACTERISTICS:

<b>Signal Contacts, Crimp Removable:</b>	Size 22 contacts, male – 0.030 inch [0.76mm] mating diameter. Terminations for 20, 22, 24, 26, 28 and 30 AWG. Female PosiBand closed entry design, see page 61 for details. Closed crimp barrel.
<b>Power Contacts, Crimp Removable:</b>	Size 16 contacts, male – 0.0625 inch [1.588mm] mating diameter. Terminations for 12, 14, 16, 18, 20, 22, and 24 AWG. Female closed entry design. Closed crimp barrel.
	Size 8 contacts, male – 0.142 inch [3.61mm] mating diameter. Terminations for 6, 8, 10, 12, and 16 AWG. Female contact features Large Surface Area (L.S.A.) closed entry contact design utilizing BeCu mechanical retention member. Closed crimp barrel.
<b>Contact Retention In Insulator:</b>	
<b>SIGNAL SIZE 22</b>	9 lbs. [40N].
<b>POWER SIZE 16</b>	15 lbs. [67N]
<b>POWER SIZE 8</b>	22 lbs. [98N] - power, shielded and high voltage.



**TECHNICAL CHARACTERISTICS, continued**

continued from previous page. . . .

**MECHANICAL CHARACTERISTICS, continued:**

- Shells:** Male shells may be dimpled for EMI/ESD ground paths.
- Polarization:** Trapezoidally shaped shells and polarized jackscrews.
- Locking Systems:** Jackscrews and vibration locking systems.
- Mechanical Operations:** 1000 operations minimum per IEC 60512-5.

**ELECTRICAL CHARACTERISTICS:**

**SIZE 22 CONTACTS**

- Contact Current Rating: 5 amperes nominal.
- Initial Contact Resistance: 0.005 ohms maximum.
- Proof Voltage: 1000 V r.m.s.

**SIZE 16 CONTACTS**

**POWER CONTACTS**

Contact Current Rating - Tested per UL 1977:

- Standard Contact Material: 28 amperes.
- High Conductivity Contact Material: 40 amperes.

See Temperature Rise Curves on page 2 for details.

Initial Contact Resistance:

- Standard Contact Material: 0.0016 ohms max. Per IEC 60512-2, Test 2b.

High Conductivity

- Contact Material: 0.001 ohms max. Per IEC 60512-2, Test 2b.

- Proof Voltage: 1000 V r.m.s.

**SIZE 8 CONTACTS**

**POWER CONTACTS**

For electrical characteristics, see page 4.

**SHIELDED CONTACTS**

For electrical characteristics, see page 61.

**HIGH VOLTAGE CONTACTS**

For electrical characteristics, see page 61.

**CONNECTOR**

- Insulation Resistance: 5 G ohms.
- Clearance and Creepage Distance: 0.042 inch [1.06mm] minimum.
- Working Voltage: 300 V r.m.s.

**CLIMATIC CHARACTERISTICS:**

- Temperature Range: -55°C to +125°C.
- Damp Heat, Steady State: 10 days.

**THERMOCOUPLE CONTACTS:**

Size 22 crimp contacts are available. See page 63 for details.

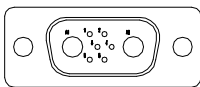
PCB mount contacts are available in CBDD series, see page 27 for details.

**\*1 CONTACT VARIANT**

FACE VIEW OF MALE OR REAR VIEW OF FEMALE

Note: Connectors can be kitted with all applicable removable contacts, contact Technical Sales for connector part number.

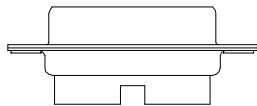
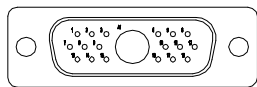
**— SHELL SIZE 1 —**



**8W2**

Six Size 22 Signal Contacts and Two Size 16 Power Contacts

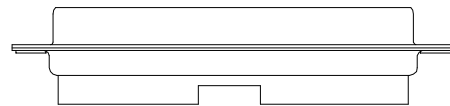
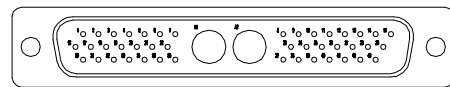
**— SHELL SIZE 2 —**



**19W1**

Eighteen Size 22 Signal Contacts and One Size 8 Power Contact

**— SHELL SIZE 4 —**



**\*2 45W2**

Forty-three Size 22 Signal Contacts and Two Size 8 Power Contacts

**NOTES:**

\*1 Additional contact variants may be tooled at customer request.

\*2 45W2 variant currently available in female only. Contact Technical Sales for availability of male connector.

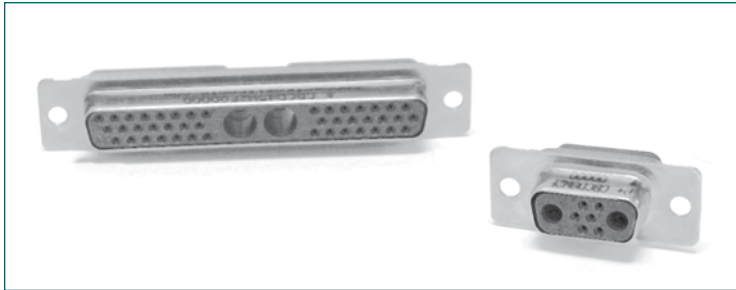


Positronic  
connectpositronic.com

**PROFESSIONAL, INDUSTRIAL AND MILITARY QUALITY**  
**THREE PERFORMANCE LEVELS FOR BEST COST/PERFORMANCE RATIO**  
**HIGH DENSITY CRIMP / SOLDER REMOVABLE CONTACTS**

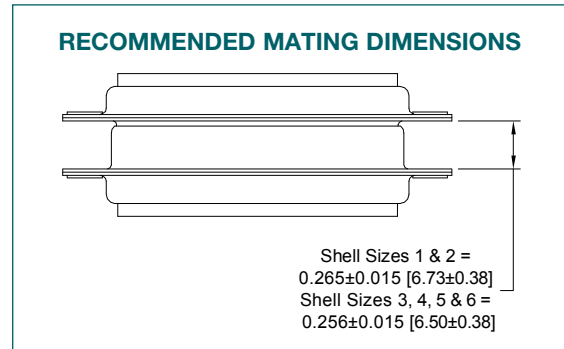
**Combo-D**  
**D-Sub**

**STANDARD SHELL ASSEMBLY**

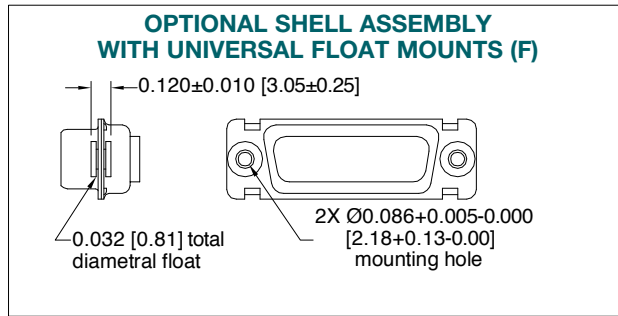
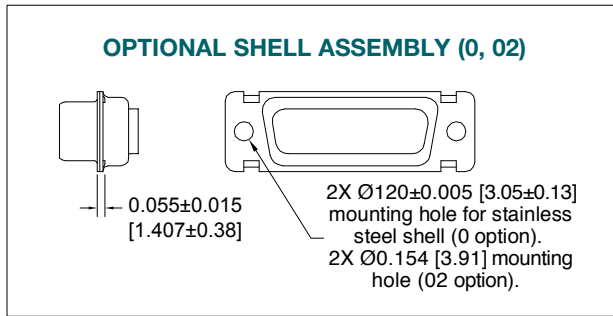
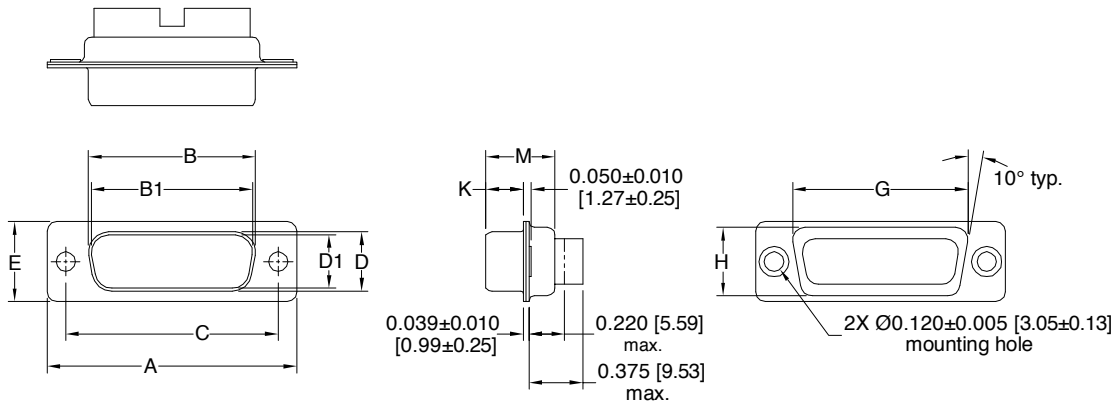


**CBCD45W2S00000**

**CBCD8W2S00000**



**TYPICAL CONNECTOR TOP VIEW**



SHELL SIZES	VARIANT	A ±0.015 [0.38]	B ±0.005 [0.13]	B1 ±0.005 [0.13]	C ±0.005 [0.13]	D ±0.005 [0.13]	D1 ±0.005 [0.13]	E ±0.015 [0.38]	G ±0.010 [0.25]	H ±0.010 [0.25]	K ±0.005 [0.13]	M ±0.010 [0.25]
1	8W2M	1.213 [30.81]		0.666 [16.92]	0.984 [24.99]		0.329 [8.36]	0.494 [12.55]	0.759 [19.28]	0.422 [10.72]	0.233 [5.92]	0.422 [10.72]
	8W2S	1.213 [30.81]	0.643 [16.33]		0.984 [24.99]	0.311 [7.90]		0.494 [12.55]	0.759 [19.28]	0.422 [10.72]	0.243 [6.17]	0.429 [10.90]
2	19W1M	1.541 [39.14]		0.994 [25.25]	1.312 [33.32]		0.329 [8.36]	0.494 [12.55]	1.083 [27.51]	0.422 [10.72]	0.233 [5.92]	0.422 [10.72]
	19W1S	1.541 [39.14]	0.971 [24.66]		1.312 [33.32]	0.311 [7.90]		0.494 [12.55]	1.083 [27.51]	0.422 [10.72]	0.243 [6.17]	0.429 [10.90]
4	45W2S	2.729 [69.32]	2.159 [54.84]		2.500 [63.50]	0.311 [7.90]		0.494 [12.55]	2.272 [57.71]	0.422 [10.72]	0.243 [6.17]	0.429 [10.90]



**ORDERING INFORMATION - CODE NUMBERING SYSTEM**

Specify Complete Connector By Selecting An Option From Step 1 Through 8

STEP	1	2	3	4	5	6	7	8	9	10
<b>EXAMPLE</b>	CBCD	8W2	S	0	0	0	0	S	/AA	-14
<b>STEP 1 - BASIC SERIES</b> CBCD Series										<b>*3 STEP 10 - SPECIAL OPTIONS</b> <b>FOR SPECIAL OPTIONS, SEE</b> <b>SPECIAL OPTIONS APPENDIX</b> <b>ON PAGE 72.</b>
<b>STEP 2 - CONNECTOR VARIANTS</b> Shell Size 1 - 8W2 Shell Size 2 - 19W1 *1 Shell Size 4 - 45W2										<b>STEP 9 - ENVIRONMENTAL COMPLIANCE OPTIONS</b> /AA - RoHS Compliant <b>NOTE:</b> If compliance to environmental legislation is not required, this step will not be used. Example: CBCD8W2S0000S
<b>STEP 3 - CONNECTOR GENDER</b> M - Male S - Female - PosiBand Closed Entry Signal Contacts										<b>STEP 8 - SHELL OPTIONS</b> 0 - Zinc Plated. *5 S - Stainless Steel, passivated. X - Tin Plated. Z - Tin Plated and Dimpled (male connectors only).
<b>STEP 4 - CONTACT TERMINATION TYPE</b> 0 - Connector ordered without contacts. Order signal, power, thermocouple, shielded, high voltage or air contacts separately. See pages 60-71 for contact part numbers. 1 - Signal contacts, 22 AWG-30 AWG [0.03mm <sup>2</sup> -0.05mm <sup>2</sup> ]. *2 11 - Signal contacts, 22 AWG-30 AWG [0.03mm <sup>2</sup> -0.05mm <sup>2</sup> ] with MC/FC 4012D power contact. *2 12 - Signal contacts, 22 AWG-30 AWG [0.03mm <sup>2</sup> -0.05mm <sup>2</sup> ] with MC/FC 4016D power contact. *2 13 - Signal contacts, 22 AWG-30 AWG [0.03mm <sup>2</sup> -0.05mm <sup>2</sup> ] with MCC/FCC 4101D shielded contacts. *2 14 - Signal contacts, 22 AWG-30 AWG [0.03mm <sup>2</sup> -0.05mm <sup>2</sup> ] with MCC/FCC 4102D shielded contacts.										<b>*3 STEP 7 - LOCKING AND POLARIZING SYSTEMS</b> 0 - None. V3 - Lock Tab, connector front panel mounted. V5 - Lock Tab, connector rear panel mounted. VL - Lock Lever, used with Hoods only. T - Fixed Female Jackscrews. T2 - Fixed Female Jackscrews. T6 - Fixed Male and Female Polarized Jackscrews. E - Rotating Male Jackscrews. E2 - Rotating Male Screw Locks. E3 - Rotating Male with Internal Hex for 3/32 Hex Drives E6 - Rotating Male and Female Polarized Jackscrews.
<b>*3 STEP 5 - MOUNTING STYLE</b> 0 - Mounting Hole, 0.120 [3.05] Ø *6 02 - Mounting Hole, 0.154 [3.91] Ø F - Float Mounts, Universal S2 - Swaged Spacer, 4-40 Threads, 0.125 [3.18] Length S5 - Swaged Locknut, 4-40 Threads										<b>*3 STEP 6 - HOODS AND PUSH-ON FASTENERS</b> 0 - None AN - Lightweight Aluminum Hood, nickel finish. AC - Lightweight Aluminum Hood, no finish. H - Hood, Top Opening, Metal *4 G - Hood, EMI/RFI, Die Cast Zinc Z - Hood, Top or Side Opening, robust extended height, plastic and composite, with rotating male jackscrews

**NOTES**

- \*1 45W2 variant currently available in female only.
- \*2 Available on 19W1 and 45W2 connectors only.
- \*3 For additional information on accessories listed in steps 5, 6, 7 and 10, see Accessory Catalog.
- \*4 When using G hood with CBCD variants, use the extended height hood. See Accessories Catalog for extended G hood options.
- \*5 For stainless steel dimpled male versions, contact Technical Sales.
- \*6 Code 02 mounting hole is only compatible with code 0 in steps 6 and 7.

**For crimping information and crimp tools,  
see Application Tools section, page 73.**



Positronic  
connectpositronic.com

**PROFESSIONAL, INDUSTRIAL AND MILITARY QUALITY  
THREE PERFORMANCE LEVELS FOR BEST COST/PERFORMANCE RATIO  
VERTICALLY STACKED STANDARD DENSITY PCB MOUNT**

**Combo-D  
D-Sub**

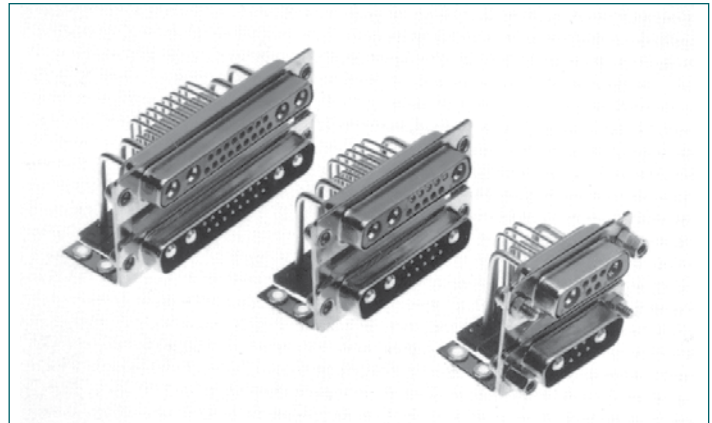
**Size 20 Signal Contacts**

**Size 8 Power Contacts**

**UL Recognized  
File #E49351**

**CSA Recognized  
File #LR54219**

**Telecommunication  
UL File #14095**



The Combo-Dual Port connector series offers several combinations of power and signal contacts within the same connector assembly. Seventeen different combinations of power and signal contact stacked assemblies are available within four standard shell sizes. The connector assembly can be partially populated with either signal or power contacts installed in the connector bodies to customer selected contact positions. The stacked connectors may be spaced apart to two dimensional spacings.

On special order, the right angle (90°) printed board mount contacts may be replaced with size 8 power,

shielded or high voltage contacts having crimp or solder cup terminations. Signal contacts remain in dual port configuration.

Mounting angle brackets can be ordered riveted to the connector by specifying R2, R6, R7 and R8 options. Locking systems are available utilizing 4-40 threaded jackscrew systems, polarized or non-polarized, or with a quick-release vibration lock system for rear panel mounted connectors.

Combo-Dual Port series connectors comply with the dimensional requirements of IEC 60807-2 and DSCC 85039.

## TECHNICAL CHARACTERISTICS

### MATERIALS AND FINISHES:

<b>Insulator:</b>	Glass filled polyester per ASTM D 5927 UL 94, blue color, and composite.
<b>Contacts:</b>	Precision machined copper alloy.
<b>Contact Plating:</b>	
<b>SIGNAL:</b>	Gold flash over nickel plate. Other finishes available upon request.
<b>POWER:</b>	Gold flash over nickel. Other finishes available upon request.
<b>Shells:</b>	Steel with tin plate; zinc plated; stainless steel passivated. Other materials and finishes available upon request.
<b>Mounting Spacers and Brackets:</b>	Nylon; polyester; copper alloy or steel with zinc plate or tin plate; phosphor bronze with tin plate; stainless steel, passivated.
<b>Cross Bar:</b>	Nylon, UL 94V-0, black color.
<b>Push-On Fasteners:</b>	Beryllium copper, tin plated.
<b>Jackscrew Systems:</b>	Brass or steel with zinc plate or clear zinc plate or tin plate; stainless steel, passivated.
<b>Vibration Lock Systems:</b>	Lock tabs, steel with nickel plate.

Non-magnetic versions are available, contact Technical Sales.

### MECHANICAL CHARACTERISTICS:

<b>Signal Contacts:</b>	Size 20 contacts, male – 0.040 inch [1.02mm] mating diameter. Female contact – rugged open entry. PosiBand closed entry female options are also available.
<b>Contact Retention In Insulator:</b>	9 lbs. [40N]
<b>Contact Terminations:</b>	Printed board mount with right angle (90°) terminations supported by alignment bar. Termination diameter 0.028 inch [0.71mm].
<b>Power Contacts:</b>	Size 8 contact, male – 0.142 inch [3.61mm] mating diameter.
<b>Contact Retention In Insulator:</b>	22 lbs. [98N]
<b>Contact Terminations:</b>	Printed board mount with right angle (90°) terminations of 0.078 inch [1.98mm] diameter.



## TECHNICAL CHARACTERISTICS, continued

continued from previous page. . . .

### MECHANICAL CHARACTERISTICS, continued:

<b>Shells:</b>	Male connector shells may be dimpled for EMI/ESD ground paths.
<b>Polarization:</b>	Trapezoidally shaped shells and polarized jackscrews.
<b>Mounting Bracket</b>	Riveted fasteners with 0.120 inch
<b>Riveted to Connector:</b>	[3.05mm] diameter clearance hole, with 4-40 threads or 4-40 threads with nylon lock insert.
<b>Mounting To</b>	
<b>Printed Board:</b>	Rapid installation push-on fasteners.
<b>Locking Systems:</b>	Jackscrews and vibration locking system for either front or rear panel mounted connectors.
<b>Mechanical Operations:</b>	500 operations minimum per IEC 60512-5.

### SIZE 8 CONTACTS

#### POWER CONTACTS

Electrical characteristics for 0.078 inch diameter terminations, see page 4.

#### CONNECTOR

<b>Insulation Resistance:</b>	5 G ohms.
<b>Clearance and Creepage</b>	
<b>Distance (minimum):</b>	0.039 inch [1.0mm]
<b>Working Voltage:</b>	300 V r.m.s.

### CLIMATIC CHARACTERISTICS:

<b>Temperature Range:</b>	-55°C to +125°C.
<b>Damp Heat, Steady State:</b>	10 days.

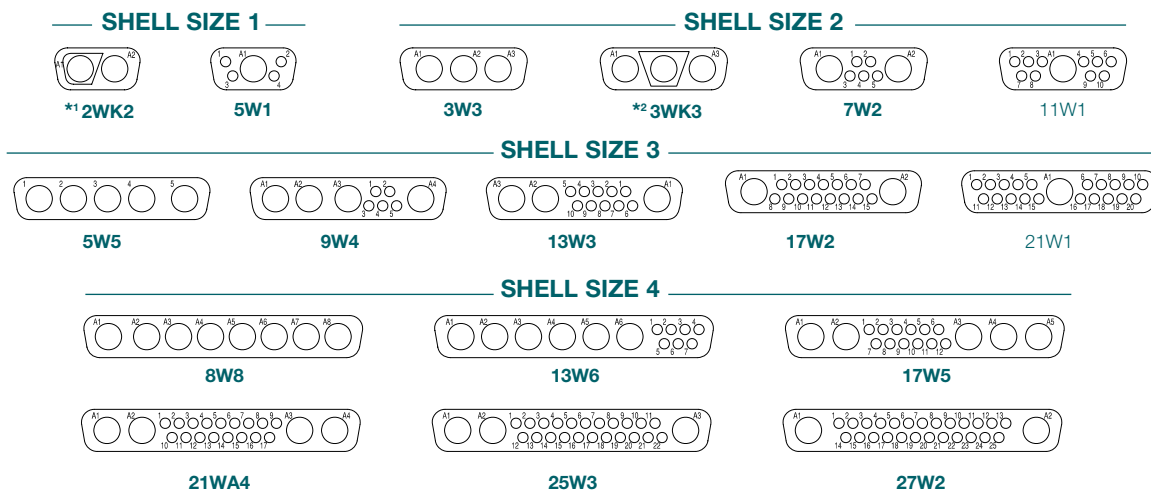
### ELECTRICAL CHARACTERISTICS:

#### SIZE 20 CONTACTS

<b>Contact Current Rating:</b>	7.5 amperes nominal.
<b>Initial Contact Resistance:</b>	0.008 ohms maximum.
<b>Proof Voltage:</b>	1000 V r.m.s.

## CONTACT VARIANTS

FACE VIEW OF MALE OR REAR VIEW OF FEMALE



#### Notes:

- \*1 2WK2 connectors have 1 male and 1 female contacts. Female connector should be loaded with female contact in A2 position.
- \*2 3WK3 male variant contains 2 male contacts and 1 female contact. Female variant contains 2 female contacts and 1 male contact



Positronic  
connectpositronic.com

**PROFESSIONAL, INDUSTRIAL AND MILITARY QUALITY**  
**THREE PERFORMANCE LEVELS FOR BEST COST/PERFORMANCE RATIO**  
**VERTICALLY STACKED STANDARD DENSITY PCB MOUNT**

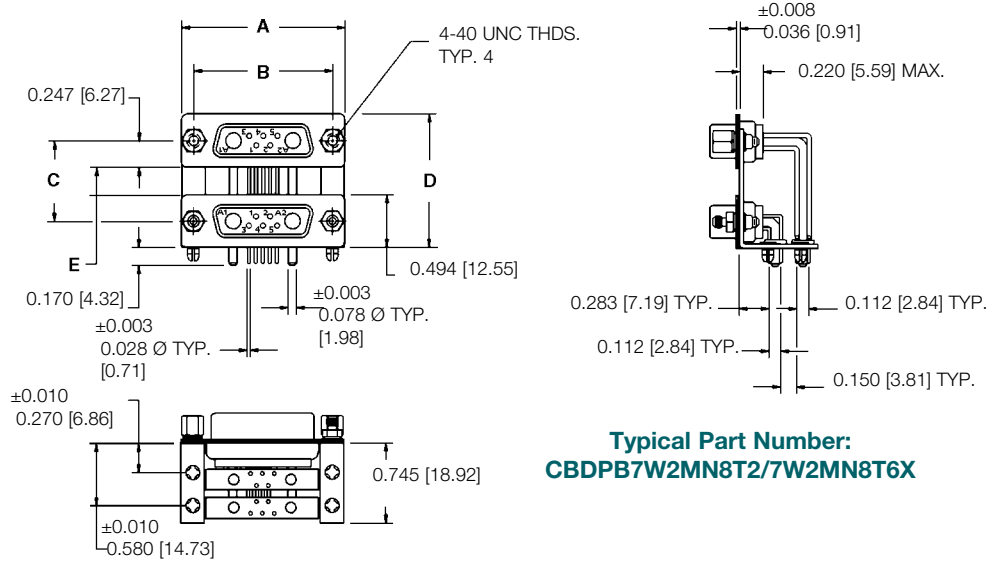
**Combo-D**  
**D-Sub**

**RIGHT ANGLE (90°) PRINTED BOARD MOUNT CONNECTOR**  
**4 ROW CONNECTOR UNIT, 0.283 [7.19] CONTACT EXTENSION**

See temperature rise curves on pages 1 and 2

**NOTE:**

30 ampere 0.125 [3.18] Ø power contacts may be ordered at special request for a limited number of CBDP variants. Contact technical sales for details.



**Typical Part Number:**  
**CBDPB7W2MN8T2/7W2MN8T6X**

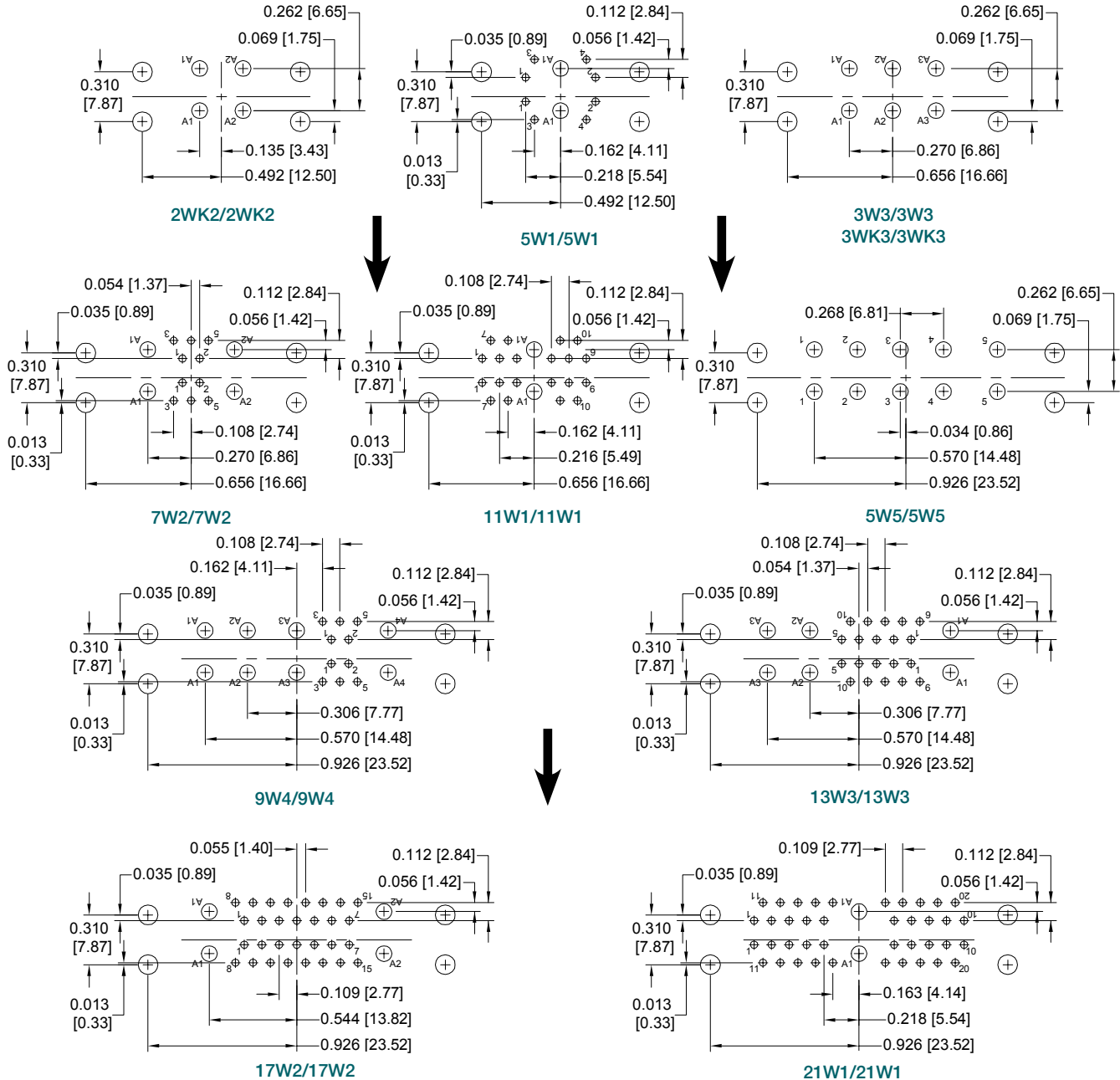
CONNECTOR DESIGNATION	C	D	E
<b>CBDPB</b>	0.750 [19.05]	1.244 [31.60]	0.256 [6.50]
<b>CBDPC</b>	0.900 [22.86]	1.394 [35.41]	0.406 [10.31]

CONNECTOR VARIANT	A	B
<b>SHELL SIZE 1</b>	1.213 [30.81]	0.984 [24.99]
<b>SHELL SIZE 2</b>	1.541 [39.14]	1.312 [33.32]
<b>SHELL SIZE 3</b>	2.088 [53.04]	1.852 [47.04]
<b>SHELL SIZE 4</b>	2.729 [69.32]	2.500 [63.50]

**Note:** Printed board power contacts (size 8) may be replaced with a size 8 removable power, shielded, air or high voltage contact having solder or crimp terminations.

**RIGHT ANGLE (90°) PRINTED BOARD CONTACT HOLE PATTERN**

HOLE IDENTIFICATION SHOWN IS FOR FEMALE CONNECTOR OVER MALE CONNECTOR.  
MOUNT CONNECTOR WITH MATING FACE POSITIONED TO FOLLOW DIRECTION OF ARROW.



**SUGGESTED PRINTED BOARD HOLE SIZES:**

Suggest 0.045 [1.14] Ø hole for signal contact termination positions.  
Suggest 0.098 [2.49] Ø hole for 0.078 [1.98] Ø power contact termination positions.  
Suggest 0.123 ±0.003 [3.12] Ø hole for mounting connector with push-on fasteners.

Mounting holes must move 0.020 [0.51] ±0.010 opposite direction of arrow for use of unriveted mounting bracket with connectors.



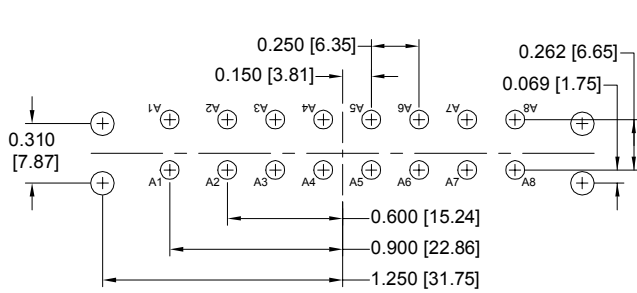
Positronic  
connectpositronic.com

**PROFESSIONAL, INDUSTRIAL AND MILITARY QUALITY**  
**THREE PERFORMANCE LEVELS FOR BEST COST/PERFORMANCE RATIO**  
**VERTICALLY STACKED STANDARD DENSITY PCB MOUNT**

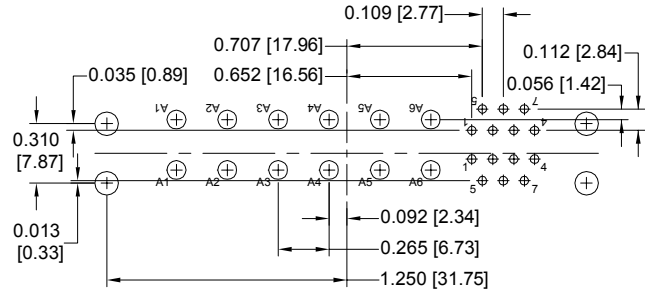
**Combo-D**  
**D-Sub**

**RIGHT ANGLE (90°) PRINTED BOARD CONTACT HOLE PATTERN**

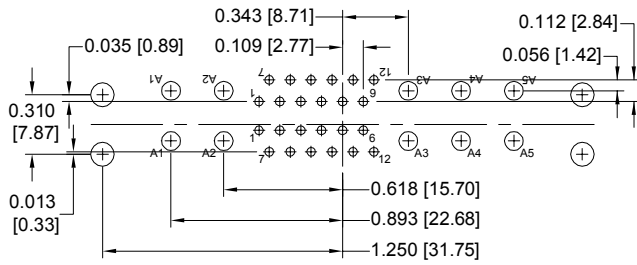
HOLE IDENTIFICATION SHOWN IS FOR FEMALE CONNECTOR OVER MALE CONNECTOR.  
 MOUNT CONNECTOR WITH MATING FACE POSITIONED TO FOLLOW DIRECTION OF ARROW.



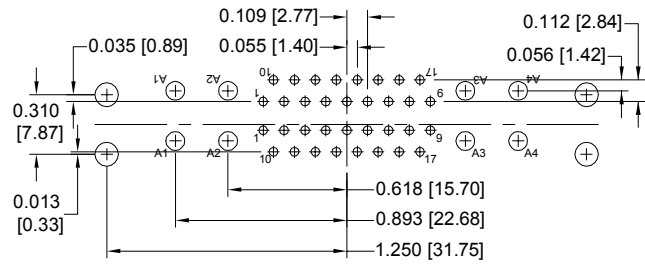
**8W8/8W8**



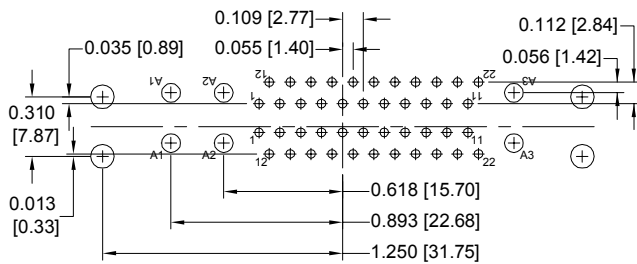
**13W6/13W6**



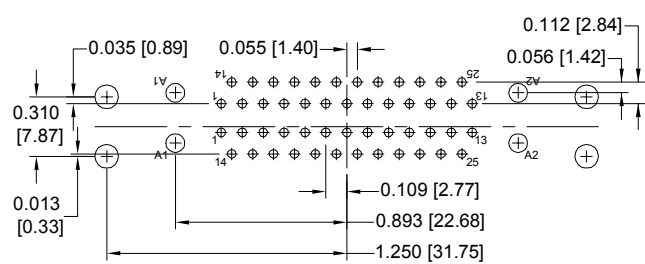
**17W5/17W5**



**21WA4/21WA4**



**25W3/25W3**



**27W2/27W2**

**SUGGESTED PRINTED BOARD HOLE SIZES:**

- Suggest 0.045 [1.14] Ø hole for signal contact termination positions.
- Suggest 0.098 [2.49] Ø hole for 0.078 [1.98] Ø power contact termination positions.
- Suggest 0.123 ±0.003 [3.12] Ø hole for mounting connector with push-on fasteners.

Mounting holes must move 0.020 [0.51] ±0.010 opposite direction of arrow for use of unriveted mounting bracket with connectors.



**ORDERING INFORMATION - CODE NUMBERING SYSTEM**

Specify Complete Connector By Selecting An Option From Step 1 Through 8

STEP	1	2	3	4	5	6	7	8	9	10
EXAMPLE	CBDPB	9W4	F	N7T	9W4	F	N7T	0	/AA	-14

**UPPER CONNECTOR**

**STEP 1 - BASIC SERIES**

- \*1 CBDPB Series
- \*1 CBDPC Series

**STEP 2 - CONNECTOR VARIANTS**

**Shell Size 1**  
2WK2, 5W1

**Shell Size 2**  
3W3, 3WK3, 7W2, 11W1

**Shell Size 3**  
5W5, 9W4, 13W3, 17W2, 21W1

**Shell Size 4**  
8W8, 13W6, 17W5, 21WA4, 25W3, 27W2

**STEP 3 - CONNECTOR GENDER**

- F - Female - Professional Level - Open Entry Signal Contacts
- M - Male
- S - Female - Industrial / Military Level - PosiBand Closed Entry Signal Contacts  
Military gold plating is optional.

**STEP 4 - LOCKING, POLARIZING, MOUNTING AND PUSH-ON FASTENER SYSTEMS**

- 0 - None
- R2 - Bracket, Mounting, Right Angle (90°) Metal, Swaged to Connector with 4-40 Thread, Fixed Female Jackscrews and Cross Bar
- R6 - Bracket, Mounting, Right Angle (90°) Metal, Swaged to Connector with 0.120 [3.05] Ø Mounting Hole with Cross Bar
- R7 - Bracket, Mounting, Right Angle (90°) Metal, Swaged to Connector with 4-40 Threads with Cross Bar
- R8 - Bracket, Mounting, Right Angle (90°) Metal, Swaged to Connector with 4-40 Locknut with Cross Bar
- N2 - Bracket, Mounting, Right Angle (90°) Metal, Swaged to Connector with 4-40 Thread, Fixed Female Jackscrews with Cross Bar and Push-On Fastener
- N6 - Bracket, Mounting, Right Angle (90°) Metal, Swaged to Connector with 0.120 [3.05] Ø Mounting Hole with Cross Bar and Push-on Fastener
- N7 - Bracket, Mounting, Right Angle (90°) Metal, Swaged to Connector with 4-40 Threads with Cross Bar and Push-on Fastener
- N8 - Bracket, Mounting, Right Angle (90°) Metal, Swaged to Connector with 4-40 Locknut with Cross Bar and Push-on Fastener
- V3 - Lock Tab.
- V5 - Lock Tab, connector rear panel mounted.
- T - Fixed Female Jackscrews
- T2 - Fixed Female Jackscrews
- T6 - Fixed Male and Female Polarized Jackscrews

**LOWER CONNECTOR**

OPTIONS ARE THE SAME AS FOR UPPER CONNECTOR STEPS 2, 3, AND 4

**STEP 10 - SPECIAL OPTIONS**

FOR SPECIAL OPTIONS, SEE SPECIAL OPTIONS APPENDIX ON PAGE 72.

**STEP 9 - ENVIRONMENTAL COMPLIANCE OPTIONS**

/AA - RoHS Compliant

**NOTE:** If compliance to environmental legislation is not required, this step will not be used. Example: CBDPB9W4FN7T/9W4FN7T0

**STEP 8 - SHELL OPTIONS**

- 0 - Zinc Plated.
- \*2 S - Stainless Steel, passivated.
- X - Tin Plated.
- Z - Tin Plated and Dimpled (male connectors only)

**NOTE**

- \*1 Contacts can be supplied with Military contact plating, see page 72.
- \*2 For stainless steel dimpled male versions, contact Technical Sales.

For crimping information and crimp tools, see Application Tools section, page 73.

**NOTE:** Size 8 removable power contacts with solder or crimp terminations with power ratings of 10, 20 and 40 amperes may be ordered in lieu of the right angle (90°) board mounted power contact. Removable size 8 shielded, air and high voltage contacts may also be ordered separately in lieu of the power contact. See pages 60-71 for contact part numbers.



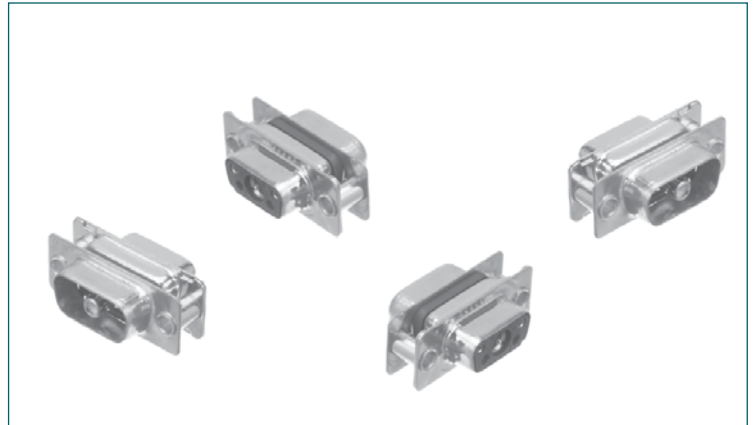
Positronic  
connectpositronic.com

## COMBO-D CONNECTOR SAVERS GENDER CHANGERS

Combo-D  
D-Sub

**Professional Quality Connectors  
ACBDP Series  
Size 20 "Open Entry" or  
PosiBand® "Closed Entry"  
Contact Design**

**Industrial /Military Quality Connectors  
- ACBMP Series  
Size 20 PosiBand®  
"Closed Entry" Contact Design  
Connector Saver**



ACBDP and ACBMP series connectors are suitable for use in any applications requiring high performance characteristic. The normal density ACBDP and ACBMP series are available in standard Combo-D connector variants.

ACBDP and ACBMP series connectors utilize precision machined contacts for strength and durability. The ACBDP female contact features a rugged "Open Entry" design or PosiBand "Closed Entry" design for even higher reliability. ACBMP connectors features PosiBand "Closed Entry" contacts and military contact plating.

ACBDP and ACBMP series connectors can be mated to a connector which would normally experience high numbers of mating cycles. The ACBDP/ACBMP connector can be easily replaced, "Saving" a connector which is not easily replaced.

These connectors can also be used as a "gender changer". Connector Savers are also available in standard and high density D-subminiature versions, please consult our Professional, Industrial and Military Performance D-subminiature Connectors catalog for more information.

For high density 8W2, 19W1 and 45W2 adapter variants contact Technical Sales.

## TECHNICAL CHARACTERISTICS

### MATERIALS AND FINISHES:

<b>Insulator:</b>	Glass filled polyester per ASTM D 5927 UL 94V-0, blue color.
<b>SIGNAL CONTACTS:</b>	
<b>ACBDP Series:</b>	Precision machined high tensile copper alloy open entry design.
<b>ACBMP Series:</b>	Precision machined copper alloy PosiBand closed entry design.
<b>POWER CONTACTS:</b>	Precision machined copper alloy closed entry design.
<b>Contact Plating:</b>	
<b>ACBDP Series:</b>	Gold flash over nickel plate.
<b>ACBMP Series:</b>	0.000050 [1.27µ] gold over nickel plate.
<b>Shells:</b>	Steel with tin plate; zinc plate; stainless steel passivated. Other materials and finishes available upon request.

**Jackscrew Systems:** Brass or steel with zinc plate clear zinc plate or tin plate; stainless steel, passivated.

**Non-magnetic versions are available, contact Technical Sales.**

### MECHANICAL CHARACTERISTICS:

#### FIXED CONTACTS:

**SIGNAL CONTACTS:** Size 20 contacts, male - 0.040 inch [1.02 mm] diameter. ACBDP series has female open entry contact or PosiBand closed entry contacts optional, see page 61 for details. ACBMP series offer female PosiBand closed entry contacts.

**POWER CONTACTS:** Size 8 contacts, male - 0.142 inch [3.61 mm] diameter. Female contact features Large Surface Area (L.S.A.) closed entry contact design utilizing BeCu mechanical retention member.



TECHNICAL CHARACTERISTICS, continued

continued from previous page. . . .

MECHANICAL CHARACTERISTICS, continued:

- Connector Saver: Male to female or male to male.
- Contact Retention:
  - Signal: 9 lbs. [40 N].
  - Power: 22 lbs. [98 N].
- Shells: Male shells may be dimpled for EMI/ESD ground paths.
- Polarization: Trapezoidally shaped shells.
- Mechanical Operations:
  - ACBDP Series: 500 operations, minimum, per IEC 60512-5.
  - ACBMP Series: 1,000 operations, minimum, per IEC 60512-5.

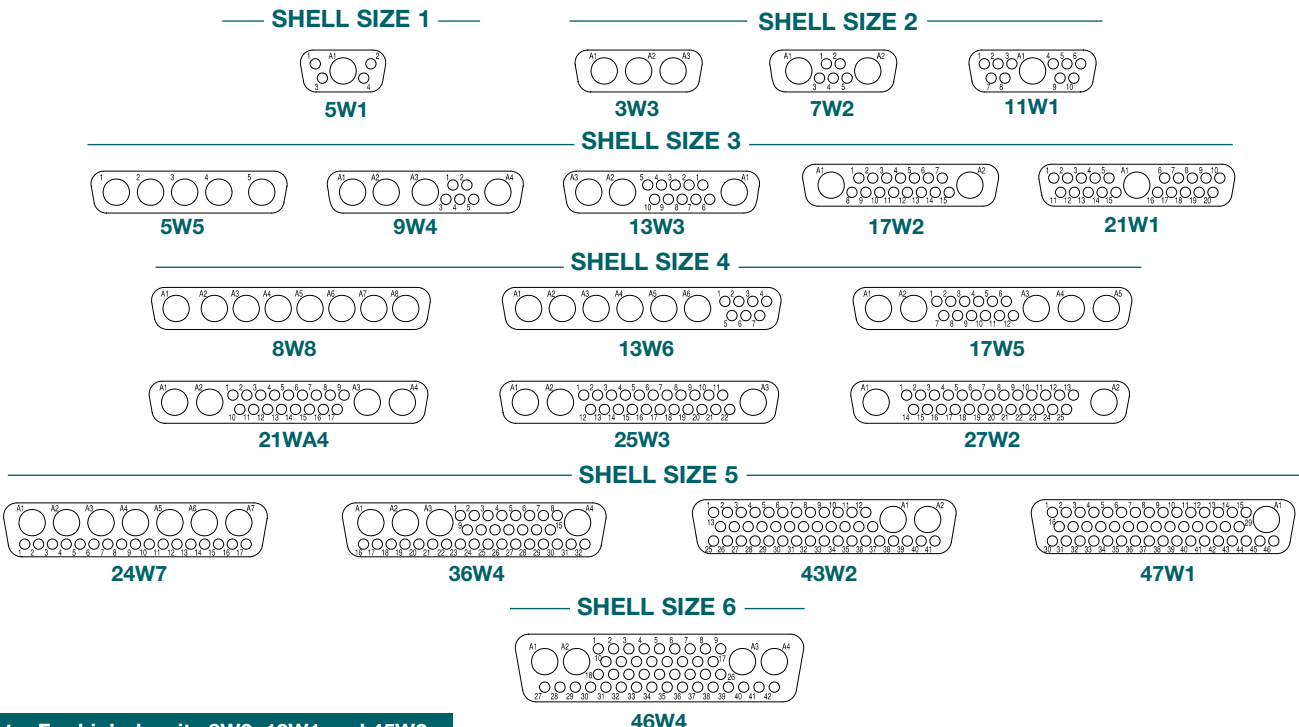
ELECTRICAL CHARACTERISTICS:

- SIZE 20 CONTACTS**
  - Contact Current Rating: 7.5 amperes, nominal.
  - Initial Contact Resistance: 0.008 ohms, maximum.
  - Proof Voltage: 1,000 V r.m.s.
- SIZE 8 CONTACTS**
  - POWER CONTACTS**
    - Contact Current Rating: 70 amperes, per UL 1977. See *Temperature Rise Curves* on pages 1-2.
    - Initial Contact Resistance: 0.0005 ohms, maximum
    - Proof Voltage: 1,000 V r.m.s.
- CONNECTOR**
  - Insulation Resistance: 5 G ohms.
  - Clearance and Creepage Distance: 0.039 inch [1.0 mm], minimum.
  - Working Voltage: 300 V r.m.s.
- CLIMATIC CHARACTERISTICS:**
  - Temperature Range: -55°C to +125°C.

ACBDP/ACBMP SERIES SIZE 20 AND SIZE 8 CONTACT CONNECTOR SAVER

CONTACT VARIANTS

FACE VIEW OF MALE OR REAR VIEW OF FEMALE



Note: For high density 8W2, 19W1 and 45W2 variants contact Technical Sales for availability.



Positronic  
connectpositronic.com

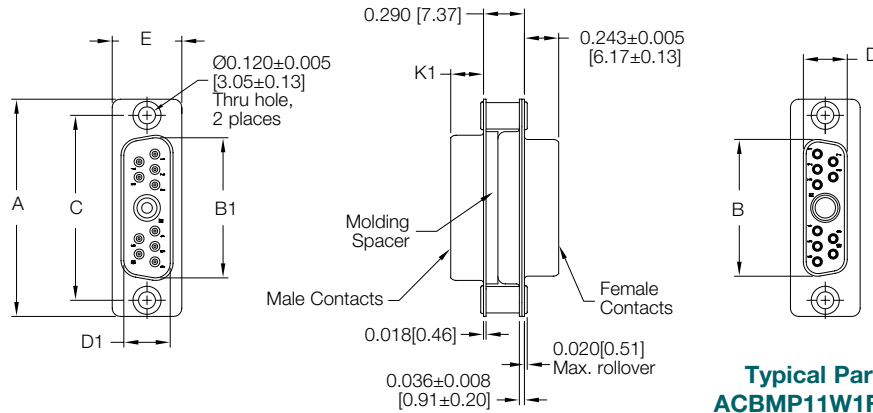
# COMBO-D CONNECTOR SAVERS GENDER CHANGERS

Combo-D  
D-Sub

## STANDARD SHELL ASSEMBLY DIMENSIONS SIZE 20 AND SIZE 8 CONTACTS CODE 0 AND S

**NOTE:**

Code S = Swaged spacer with 4-40 UNC-2B threads.



Typical Part Number:  
**ACBMP11W1F0011W1M00**

CONNECTOR SIZE	A $\pm 0.015$	B $\pm 0.005$	B1 $\pm 0.005$	C $\pm 0.005$	D $\pm 0.005$	D1 $\pm 0.005$	E $\pm 0.015$	K1 $\pm 0.005$
SHELL SIZE 1	1.213 [30.81]	0.643 [16.33]	0.666 [16.92]	0.984 [24.99]	0.311 [7.90]	0.329 [8.36]	0.494 [12.55]	0.233 [5.92]
SHELL SIZE 2	1.541 [39.14]	0.971 [24.66]	0.994 [25.25]	1.312 [33.32]	0.311 [7.90]	0.329 [8.36]	0.494 [12.55]	0.233 [5.92]
SHELL SIZE 3	2.088 [53.04]	1.511 [38.38]	1.534 [38.96]	1.852 [47.04]	0.311 [7.90]	0.329 [8.36]	0.494 [12.55]	0.230 [5.84]
SHELL SIZE 4	2.729 [69.32]	2.159 [54.84]	2.182 [55.42]	2.500 [63.50]	0.311 [7.90]	0.329 [8.36]	0.494 [12.55]	0.230 [5.84]
SHELL SIZE 5	2.635 [66.93]	2.064 [52.43]	2.079 [52.81]	2.406 [61.11]	0.423 [10.74]	0.441 [11.20]	0.605 [15.37]	0.230 [5.84]
SHELL SIZE 6	2.729 [69.32]	2.189 [55.60]	2.212 [56.18]	2.500 [63.50]	0.485 [12.32]	0.503 [12.78]	0.668 [16.97]	0.230 [5.84]

CONNECTOR SAVERS

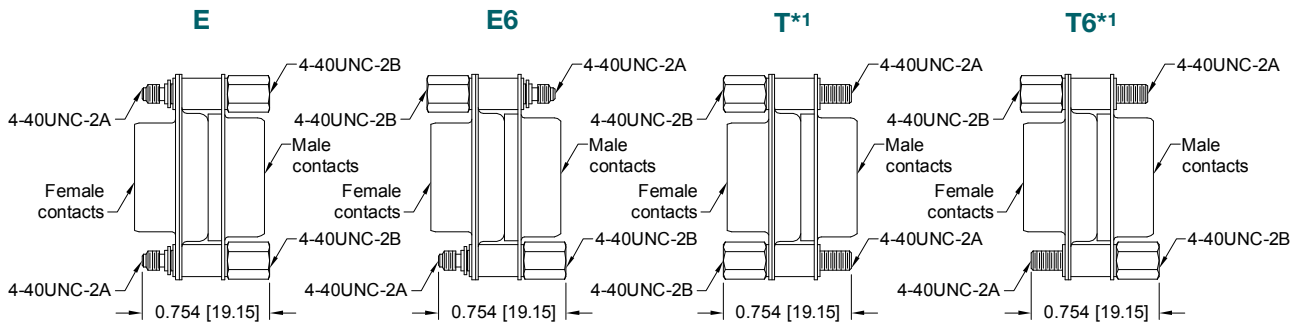
## JACKSCREW SYSTEMS CODE E, E6, T AND T6

**ROTATING  
MALE AND FEMALE  
JACKSCREWS**

**ROTATING  
MALE AND FEMALE  
POLARIZED JACKSCREWS**

**FIXED  
MALE AND FEMALE  
JACKSCREWS**

**FIXED  
MALE AND FEMALE  
POLARIZED JACKSCREWS**



Example Part Number:  
**ACBDP5W1FEX5W1M0X**

Example Part Number:  
**ACBDP5W1FE6X5W1M0X**

Example Part Number:  
**ACBDP5W1FTX5W1M0X**

Example Part Number:  
**ACBDP5W1FT6X5W1M0X**

**NOTE:**

\*1 Due to variations in mating interfaces, the standard jackscREW length may not be suitable for all applications. In some cases, a T or T6 jackscREW may bottom out when installed into a threaded blind hole such as a T2. Shorter T and T6 jackscREWS are available and can be ordered using MoS-2946.



## ORDERING INFORMATION - CODE NUMBERING SYSTEM

Specify Complete Connector By Selecting An Option From Step 1 Through 9

STEP	1	2	3	4	5	6	7	8	9	10	11
EXAMPLE	ACBDP	11W1	F	S	X	11W1	M	S	X	/AA	-14
<b>STEP 1 - BASIC SERIES</b>	<p>ACBDP – Professional / Industrial Quality, see Step 3.</p> <p>ACBMP – Military conformance with “closed entry” female signal contacts plated 0.000050 [1.27µ] gold over nickel plate. Choose “S” or “M” in Step 3.</p>										<p><b>STEP 11 - SPECIAL OPTIONS</b></p> <p><b>FOR SPECIAL OPTIONS, SEE SPECIAL OPTIONS APPENDIX ON PAGE 72.</b></p>
<b>STEP 2 - CONNECTOR VARIANT</b>	<p>Shell Size 1 5W1</p> <p>Shell Size 2 3W3, 7W2, 11W1</p> <p>Shell Size 3 5W5, 9W4, 13W3, 17W2, 21W1</p> <p>Shell Size 4 8W8, 13W6, 17W5, 21WA4, 25W3, 27W2</p> <p>Shell Size 5 24W7, 36W4, 43W2, 47W1</p> <p>Shell Size 6 46W4</p> <p><b>Note: For high density 8W2, 19W1 and 45W2 variants contact Technical Sales for availability.</b></p>										<p><b>STEP 10 - ENVIRONMENTAL COMPLIANCE OPTIONS</b></p> <p>/AA - RoHS Compliant</p> <p><b>NOTE:</b> If compliance to environmental legislation is not required, this step will not be used. Example: ACBDP11W1FSX11W1MSX</p>
<b>STEP 3 - 1ST CONNECTOR GENDER</b>	<p>F - Female - Professional Level - Open Entry Signal Contacts</p> <p>*1M - Male</p> <p>S - Female - Industrial / Military Level - PosiBand Closed Entry Signal Contacts. Military gold plating is optional.</p>										<p><b>STEP 9 - 2ND CONNECTOR SHELL OPTION</b></p> <p>0 - Zinc Plated.</p> <p>*S - Stainless Steel, passivated.</p> <p>X - Tin Plated.</p> <p>Z - Tin Plated and Dimpled (male connectors only).</p>
<b>*2 STEP 4 - 1ST CONNECTOR MATING STYLE</b>	<p>0 - Swaged spacer 0.120 [3.05µ] mounting hole</p> <p>S - Swaged spacer 4-40 UNC-2B threads</p> <p>*3 E - Rotating male and female jackscrews (Select 0 in Step 8)</p> <p>*3 E6 - Rotating male and female polarized jackscrew (Select 0 in Step 8)</p> <p>*3 *6 T - Fixed male and female jackscrews (Select 0 in Step 8)</p> <p>*3 *6 T6 - Fixed male and female polarized jackscrew (Select 0 in Step 8)</p>										<p><b>*2 STEP 8 - 2ND CONNECTOR MATING STYLE</b></p> <p>0 - Swaged spacer 0.120 [3.05µ] mounting hole</p> <p>S - Swaged spacer 4-40 UNC-2B threads</p> <p>*3 E - Rotating male and female jackscrews (Select 0 in Step 4)</p> <p>*3 E6 - Rotating male and female polarized jackscrew (Select 0 in Step 4)</p> <p>*3 *6 T - Fixed male and female jackscrews (Select 0 in Step 4)</p> <p>*3 *6 T6 - Fixed male and female polarized jackscrew (Select 0 in Step 4)</p>
<b>STEP 5 - 1ST CONNECTOR SHELL OPTION</b>	<p>0 - Zinc Plated.</p> <p>*S - Stainless Steel, passivated.</p> <p>X - Tin Plated.</p> <p>Z - Tin Plated and Dimpled (male connectors only).</p>										<p><b>STEP 7 - 2ND CONNECTOR GENDER</b></p> <p>M - Male</p>
<b>STEP 6 - 2ND CONNECTOR VARIANT</b>	<p>Select same variant as chosen in STEP 2.</p>										
<p><b>NOTES</b></p> <p>*1 Male option in Step 3 available only on connector variants 5W1, 3W3, 7W2, 11W1, 17W2, 21W1, 21WA4, 27W2, 24W7, 46W4.</p> <p>*2 Connector mating style for both connectors must be the same if 0 or S is used. If E, E6, T or T6 is used in either Step 4 or 8 the other step must be 0.</p> <p>*3 For hardware information, see page 51.</p> <p>*4 For stainless steel dimpled male versions, contact Technical Sales.</p> <p>*5 Connector variant for both connectors must be the same.</p> <p>*6 Due to variations in mating interfaces, the standard jackscrew length may not be suitable for all applications. In some cases, a T or T6 jackscrew may bottom out when installed into a threaded blind hole such as a T2. Shorter T and T6 jackscrews are available and can be ordered using MoS-2946.</p>											

CONNECTOR SAVERS

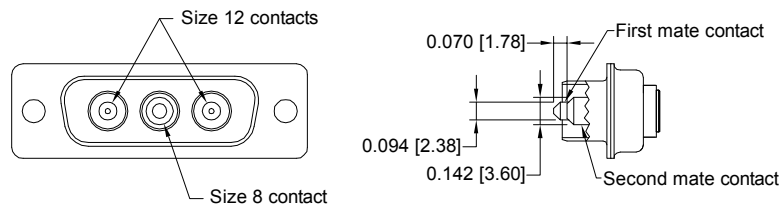


Positronic Industries is **known** around the world **for offering** our customers **flexibility** when choosing connectors.

In addition to allowing **customers** to **create** part numbers for **particular applications**, Positronic offers a **wide variety** of features and accessories within our products.

Positronic is also **eager** to modify existing products **to meet unique customer requirements**. If you do not find what you need with this catalog, please **contact us** for assistance.

### SEQUENTIAL MATING CONTACTS



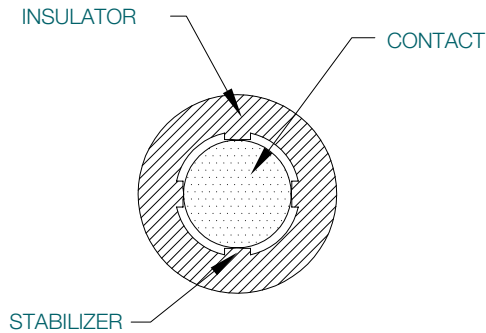
**Note: A third level can be accomplished with signal contacts where applicable.**

#### Three levels of sequential mating are possible:

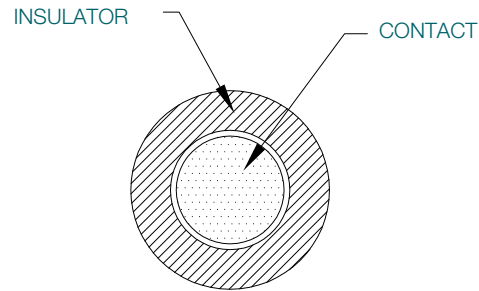
- First mate accomplished by a size 12 power contact. Male contact diameter is 0.094 inch.
- Second mate accomplished by a size 8 power contact. Male contact diameter is 0.142 inch.
- Third mate accomplished by size 20 signal contacts, as applicable.

**CONTACT TECHNICAL SALES FOR MORE INFORMATION!**

**SIZE 8 CONTACT STABILIZATION FEATURE**  
MINIMIZES FLOAT IN SIZE 8 CONTACT POSITIONS



**WITH STABILIZER**

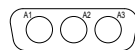


**WITHOUT STABILIZER**

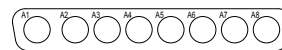
CBD size 8 male contacts are removed toward the rear after utilizing front release tooling. Space must be provided between the contact and the connector molding so the tooling can slide over the mating portion of the contact. This fact allows the contact to float.

In some applications this float creates problems in alignment during mating. Many male contact CBD variants offer an integral stabilizing feature to minimize problems created by float in size 8 contacts. An alternate tool is used to remove the contact if necessary. Tool number is 4311-0-1-0.

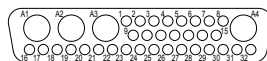
**The stabilization feature is currently available for the following male contact variants:**



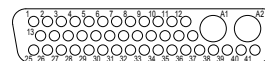
**CBD/CBM3W3M**



**CBD/CBM8W8M**



**CBC36W4M**

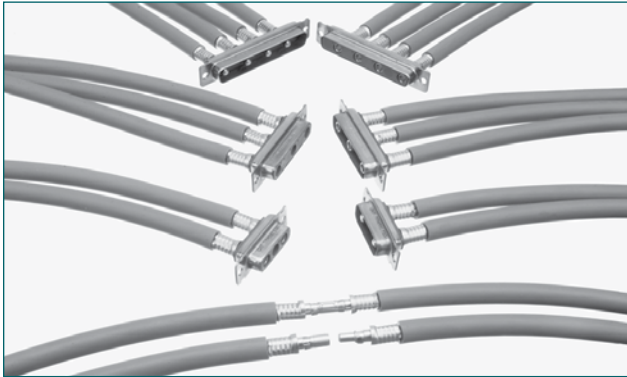


**CBC43W2M**

Add MOS -1570.4 to end of part number. Example: **CBD3W3M00000-1570.4**



### COMBO-D CONNECTORS WITH \*1 100 AMP HIGH CURRENT REMOVABLE CRIMP POWER CONTACT



HIGH CONDUCTIVITY SIZE 8 CONTACTS WHICH CAN BE TERMINATED TO 6 AWG WIRE ALLOW VERY HIGH CURRENTS TO BE CARRIED THROUGH COMBO-D TYPE CONNECTORS.

### TECHNICAL CHARACTERISTICS

#### MATERIALS AND FINISHES:

**Contacts:** High conductivity copper alloy.  
**Plating:**  
**Standard Finish:** Gold flash over nickel plate.  
**Optional Finishes:** 30µin [.76µm] gold over nickel by adding "-14" suffix onto part number. Example: FC4006D-14  
50µin [1.27µm] gold over nickel by adding "-15" suffix onto part number. Example: MC4006D-14

#### CLIMATIC CHARACTERISTICS:

**Temperature Range:** -55°C to +125°C.

\*1 per UL 1977 Testing

#### ELECTRICAL CHARACTERISTICS:

##### POWER CONTACTS

**Contact Current Rating:** See Temperature Rise Curve on page 56.  
**Initial Contact Resistance:** 0.0003 ohms max. per IEC 60512-2, Test 2b.  
**Proof Voltage:** 1900 V r.m.s.  
**Working Voltage:** 450 V r.m.s.

#### MECHANICAL CHARACTERISTICS:

**Size 8 Removable Contacts:** Rear insertion, front release.  
**Durability:** 500 cycles minimum.  
**Vibration:** 20g from 10 Hz to 500 Hz.  
**Shock:** 30g-11ms.

### 100 AMP HIGH CURRENT REMOVABLE CRIMP POWER CONTACT

CONTACTS USED WITH 6 AWG WIRE  
6 AWG [16.0mm<sup>2</sup>] max.

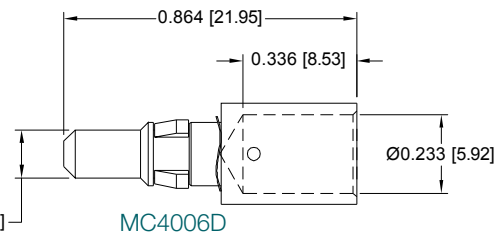
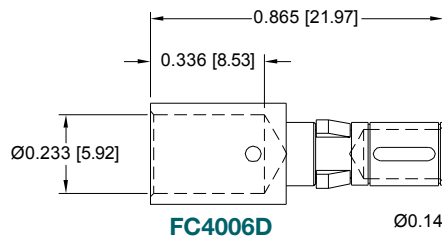
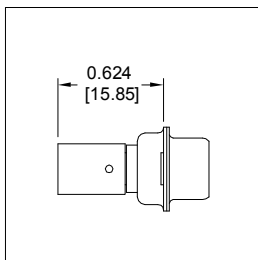
\*1 CONTACTS ORDERED SEPARATELY  
**SIZE 8**

**Note:** Connectors can be kitted with all applicable removable contacts, contact Technical Sales for connector part number.

#### \*2 FEMALE CONTACT

"CLOSED ENTRY" DESIGN, L.S.A.

#### MALE CONTACT



**\*\*NOTE:** Female contacts feature Large Surface Area (L.S.A.) closed entry contact design which provides maximum mating surfaces between male and female contact and reduced contact resistance during operation.

**MATERIAL:** High conductivity copper alloy.

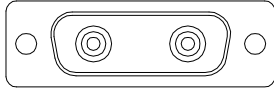
#### PLATING:

**STANDARD FINISH:** Gold flash over nickel plate.  
**OPTIONAL FINISHES:** 30µin [.76µm] gold over nickel by adding "-14" suffix onto part number. Example: FC4006D-14  
50µin [1.27µm] gold over nickel by adding "-15" suffix onto part number. Example: MC4006D-15.

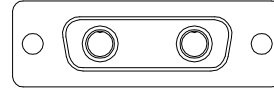


**SELECTIVELY LOADED COMBO-D CONNECTORS FOR USE WITH 100 AMP\* HIGH CURRENT REMOVABLE CRIMP POWER CONTACT**

**COMBO-D CONNECTORS WITH TWO CONTACT POSITIONS**

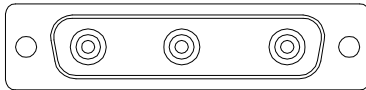


**CBD3W3M00000-1841.0**

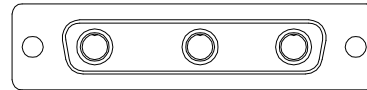


**CBD3W3F00000-1841.0**

**COMBO-D CONNECTORS WITH THREE CONTACT POSITIONS**

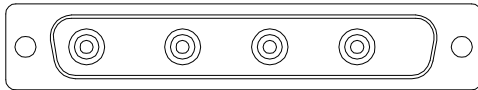


**CBD5W5M00000-1841.1**

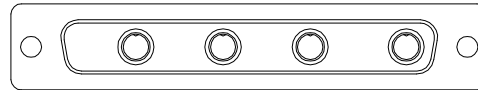


**CBD5W5F00000-1841.1**

**COMBO-D CONNECTORS WITH FOUR CONTACT POSITIONS**

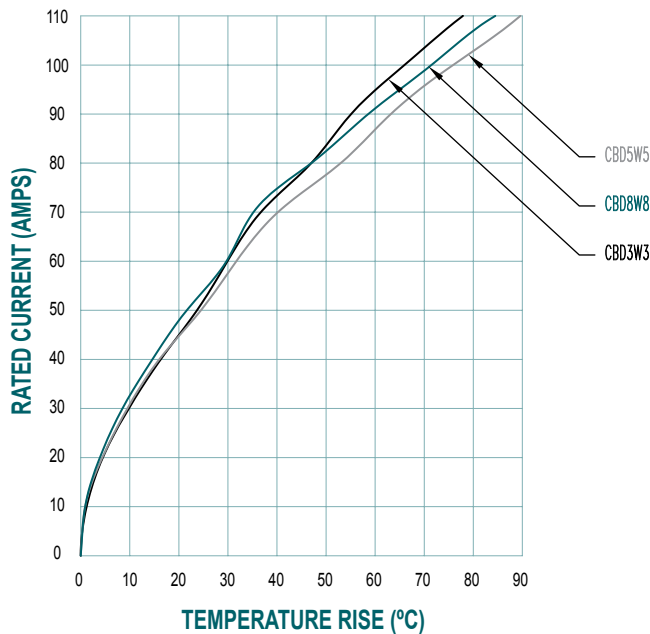


**CBD8W8M00000-1841.2**



**CBD8W8F00000-1841.2**

**TEMPERATURE RISE CURVE**

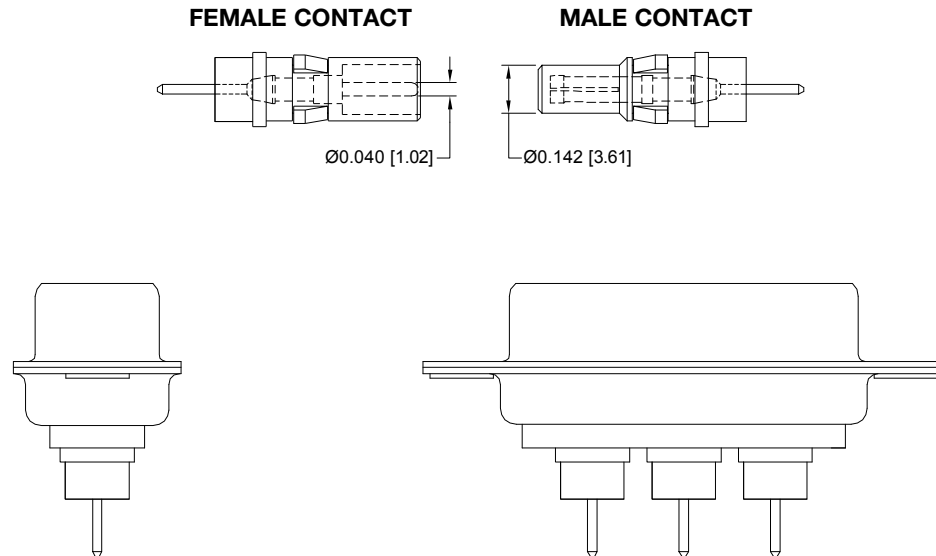


**Test conducted in accordance with UL1977.  
All power contacts under load.**

Curves were developed using CBD3W3, 5W5, and 8W8 connectors with MC/FC4006D contacts terminated with 6 AWG wire.

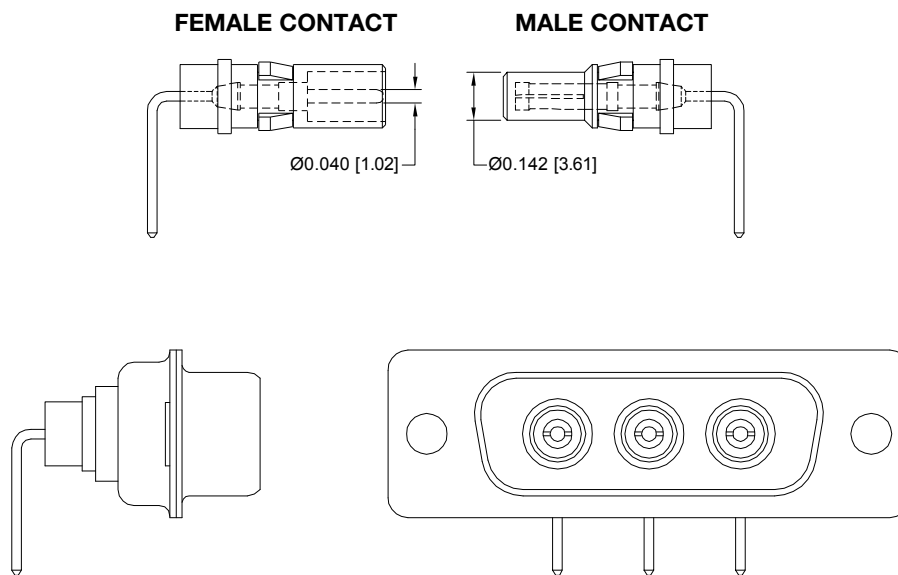


**STRAIGHT PRINTED BOARD MOUNT HIGH VOLTAGE CONTACT  
SIZE 8**



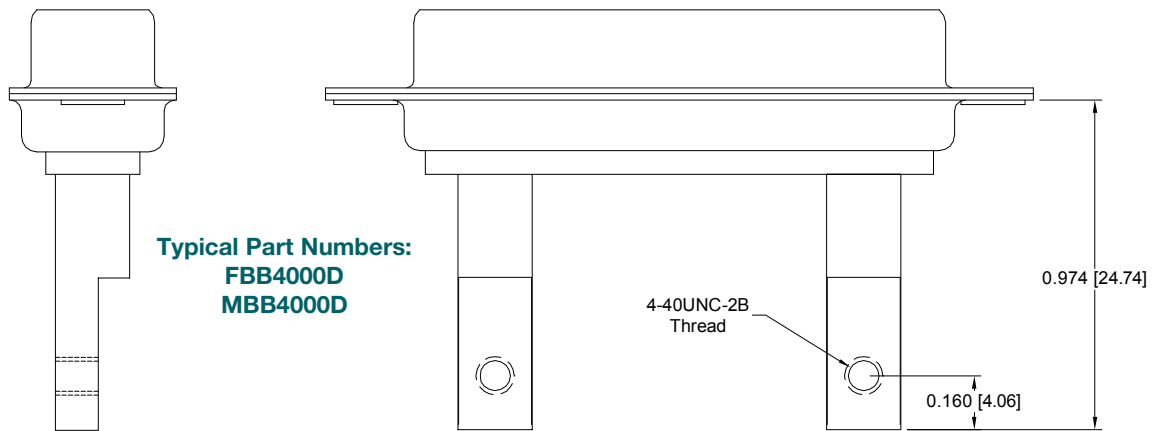
**CONTACT TECHNICAL SALES FOR MORE INFORMATION!**

**RIGHT ANGLE (90°) PRINTED BOARD MOUNT HIGH VOLTAGE CONTACT  
SIZE 8**



**CONTACT TECHNICAL SALES FOR MORE INFORMATION!**

**BUS BAR CONTACT  
SIZE 8 POWER CONTACT**

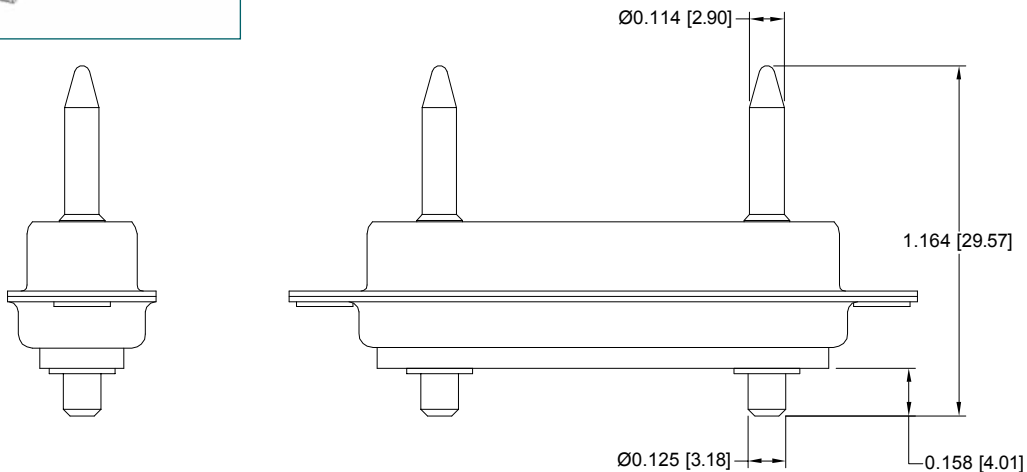


Power contacts can be offered with terminations suitable for use with bus bars.

**CONTACT TECHNICAL SALES FOR MORE INFORMATION!**



**INTEGRAL BLIND MATE GUIDE  
SIZE 8**



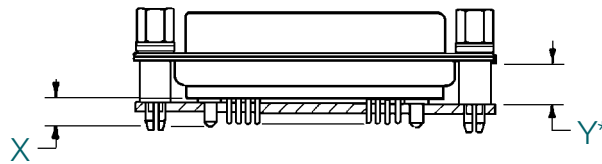
**CONTACT TECHNICAL SALES FOR MORE INFORMATION!**



### CUSTOMER SPECIFIED CONTACT TERMINATION LENGTH

Positronic can supply CB series connectors with customer specified termination lengths. We have a wide variety of options available.

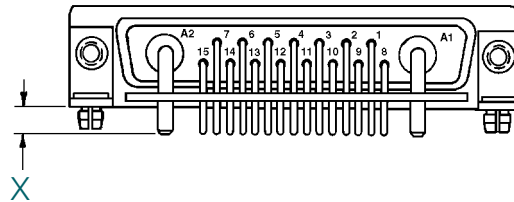
#### STRAIGHT PRINTED BOARD MOUNT



**\*Note:**

PCB spacer height can be adjusted according to contact termination length

#### RIGHT ANGLE (90°) PRINTED BOARD MOUNT



X and Y contact termination lengths can be custom designed to fit your application requirements.

CONTACT TECHNICAL SALES FOR MORE INFORMATION!

# Connectors Designed To Customer Specifications

*Positronic Combo-D connectors can be modified to customers specifications.*

**Examples:** select loading of contacts for cost savings or to gain creepage and clearance distances; longer PCB terminations; customer specified hardware; sealing for water resistance.

**Contact Technical Sales with your particular requirements.**



## REMOVABLE CONTACT TECHNICAL CHARACTERISTICS

### SIZE 22 REMOVABLE CONTACT

#### MATERIALS AND FINISHES:

Precision machined copper alloy with gold flash over nickel. Other finishes are available, see pages 61 and 73 for optional finishes.

#### MECHANICAL CHARACTERISTICS:

Insert contact to rear face of insulator, release from rear face of insulator. Size 22 contacts, 0.030 inch [0.76 mm] mating diameter male contacts. Female PosiBand closed entry contact design. Terminations for 20, 22, 24, 26, 28, and 30 AWG. Closed barrel crimp.

#### ELECTRICAL CHARACTERISTICS:

**Contact Current Rating:** 5 amperes nominal.  
**Initial Contact Resistance:** 0.010 ohms maximum.

#### THERMOCOUPLE CONTACTS:

Straight and right angle (90°) PCB mount contacts are available, contact Technical Sales for details.

Size 22 crimp contacts are available, see page 63 for details.

### SIZE 20 REMOVABLE CONTACT

#### MATERIALS AND FINISHES:

Precision machined copper alloy with gold flash over nickel. Other finishes are available, see pages 61 and 73 for optional finishes.

#### MECHANICAL CHARACTERISTICS:

Insert contact to rear face of insulator, release from rear face of insulator. Size 20 contacts, 0.040 inch [1.02 mm] mating diameter male contacts. Female PosiBand closed entry or rugged open entry contact design.

#### ELECTRICAL CHARACTERISTICS:

**Contact Current Rating:** 7.5 amperes nominal.  
**Initial Contact Resistance:** 0.008 ohms max. per IEC 60512-2, test 2b.

#### THERMOCOUPLE CONTACTS:

Straight and right angle (90°) PCB mount contacts are available, contact Technical Sales for details.

Size 20 crimp contacts are available, see page 66 for details.

### SIZE 16 REMOVABLE CONTACT

#### MATERIALS AND FINISHES:

**STANDARD:** Precision machined copper alloy with gold flash over nickel. Other finishes are available, see pages 61 and 73 for optional finishes.

**HIGH CONDUCTIVITY:** High conductivity copper alloy, gold flash over nickel. Other finishes are available, see pages 61 and 73 for optional finishes.

#### MECHANICAL CHARACTERISTICS:

##### STANDARD AND

**HIGH CONDUCTIVITY:** Insert contact to rear face of insulator, release from front face of insulator. Size 16 contacts, 0.0625 inch [1.588mm] mating

diameter male contacts. Female PosiBand closed entry contact design. Terminations for 12, 14, 16, 18, 20, 22, 24, 26, and 28 AWG.

#### ELECTRICAL CHARACTERISTICS:

##### Contact Current Rating - Tested per UL 1977:

**Standard Contact Material:** 28 amperes.

**High Conductivity Contact Material:** 40 amperes.

See *Temperature Rise Curves* on page 2 for details.

##### Initial Contact Resistance:

**Standard Contact Material:** 0.0016 ohms max. Per IEC 60512-2, Test 2b.

##### High Conductivity

**Contact Material:** 0.001 ohms max. Per IEC 60512-2, Test 2b.

### SIZE 8 REMOVABLE CONTACT

#### MATERIALS AND FINISHES:

**STANDARD:** Precision machined copper alloy with gold flash over nickel. Other finishes are available, see pages 61 and 73 for optional finishes.

**HIGH CONDUCTIVITY:** High conductivity copper alloy, gold flash over nickel. Other finishes are available, see pages 61 and 73 for optional finishes.

#### HIGH VOLTAGE:

**Insulator Material:** PTFE teflon

**Contacts:** Precision machined copper alloy with 0.000030 inch [0.76µ] gold over nickel. Other finishes are available, see pages 61 and 73 for optional finishes.

#### SHIELDED:

**Dielectric Material:** PTFE teflon

**Inner Contacts:** Precision machined copper alloy with 0.000030 inch [0.76µ] gold over nickel. Other finishes are available, see pages 61 and 73 for optional finishes.

**Outer Contacts:** Precision machined copper alloy with gold flash over nickel. Other finishes are available, see pages 61 and 73 for optional finishes.

#### MECHANICAL CHARACTERISTICS:

##### STANDARD AND

**HIGH CONDUCTIVITY:** Insert contact to rear face of insulator, release from front face of insulator. Size 8 contacts, 0.142 inch [3.61 mm] mating diameter male contacts, closed entry female contacts.

#### HIGH VOLTAGE:

Insert contact to rear face of insulator, release from front face of insulator. Size 8 contacts. Straight and right angle (90°) terminations. 0.041 inch [1.04 mm] minimum hole diameter.

**Durability:** 500 cycles minimum.

**Vibration:** 20g from 10 Hz to 500 Hz.

**Shock:** 30g-11ms.

... continued on next page

For information regarding crimp tool and crimping tool techniques, see Application Tools section, page 73.



## REMOVABLE CONTACT TECHNICAL CHARACTERISTICS

continued from previous page . . .

### MECHANICAL CHARACTERISTICS, continued:

**SHIELDED:** Insert contact to rear face of insulator, release from front face of insulator. Size 8 contacts. See page 70 table of cable sizes for contact termination dimensions.

**Durability:** 500 cycles minimum.  
**Vibration:** 20g from 10 Hz to 500 Hz.  
**Shock:** 30g-11ms.

**AIR LINE COUPLER:** Insert contact to rear face of insulator, release from front face of insulator.

### ELECTRICAL CHARACTERISTICS:

#### POWER CONTACTS:

For electrical characteristics, see page 4.

#### HIGH VOLTAGE:

Flash over Voltage: 3600 V r.m.s.  
Proof Voltage: 2700 V r.m.s.  
Initial Contact Resistance: 0.008 ohms maximum.

#### SHIELDED:

Initial Contact Resistance: 0.008 ohms maximum.  
Nominal Impedance: 50 ohms.  
Insertion Loss: -0.46 dB at 1 GHz

**VSWR:** -1.5 dB at 2 GHz  
1.15 average at 1 GHz  
1.56 average at 2 GHz  
Above values measured using frequency domain techniques.  
**Proof Voltage:** 1000 V r.m.s.

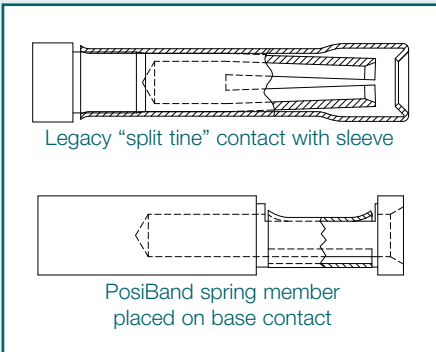
### OPTIONAL PLATING FINISHES

**-14** 30µin [7.6µm] gold over nickel by adding "-14" suffix onto part number. Example: FC120N4-14.  
**-15** 50µin [1.27µm] gold over nickel by adding "-15". Example: FC120N4-15.

### RoHS OPTIONS:

**/AA** Environmental Compliance Option: RoHS compliant can be achieved by adding "/AA" suffix onto part number. Examples: FC120N4/AA or for optional finishes use FC120N4/AA-14.

## What makes Positronic's PosiBand® contact interface significant?



- ✓ Higher reliability in harsh environments and repeated mating cycles.
- ✓ PosiBand crimp contacts do not need to be annealed. Split tine D-subminiature contacts are commonly annealed at the crimp barrel, with the possibility of reliability problems at the contact interface if the annealing is performed incorrectly.
- ✓ Electrical and mechanical function of the contact interface are separated since the PosiBand contact is a two-piece design. Contact normal force is provided by the "Posiband spring member", which allows higher mechanical reliability. The

electrical continuity path is supported through the base contact, which allows a greater number of electrical paths on a "micro" level when compared to split tine contact design.

- ✓ Higher reliability at prices comparable to the "split tine" design.
- ✓ PosiBand is protected by US Patent 7,115,002.

**For a detailed white paper visit: [www.connectpositronic.com/posiband](http://www.connectpositronic.com/posiband)**

For information regarding crimp tool and crimping tool techniques, see Application Tools section, page 73.



REMOVABLE CRIMP SIGNAL CONTACT

FOR USE WITH CBCD SERIES CONNECTORS

SIZE 22

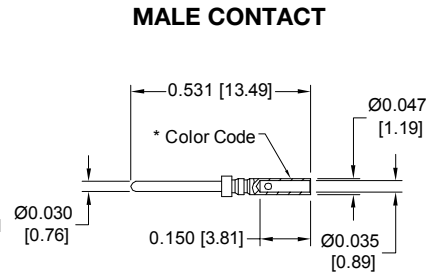
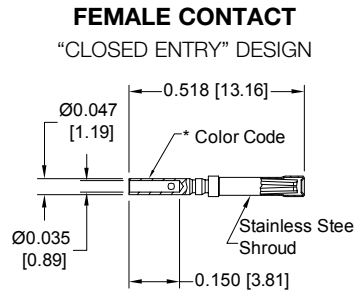
QUALIFIED TO AS39029

Note: Connectors can be kitted with all applicable removable contacts, contact Technical Sales for connector part number.

**\*MILITARY SPECIFICATION CONTACTS**

**STANDARD FINISH:**  
per AS39029 specifications

**COLOR CODE:**  
**MALE CONTACT:**  
ORANGE/BLUE/BLACK  
**FEMALE CONTACT:**  
ORANGE/GREEN/YELLOW



FEMALE PART NUMBER	WIRE SIZE AWG [mm <sup>2</sup> ]
*M39029/57-354	22 / 24 / 26 / 28 [0.3/0.25/0.12/0.08]

*Positronic is qualified to supply the legacy design, as well as, the PosiBand design. If the requirement is for the PosiBand design exclusively, notify sales at time of quotation for order placement when requesting M39029 contacts.*

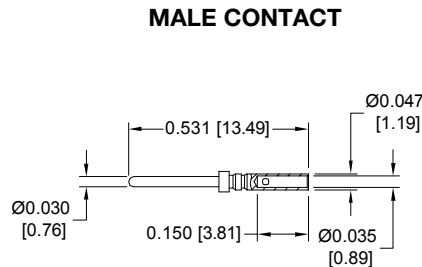
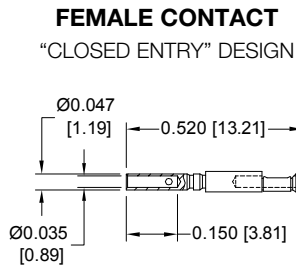
MALE PART NUMBER	WIRE SIZE AWG [mm <sup>2</sup> ]
*M39029/58-360	22 / 24 / 26 / 28 [0.3/0.25/0.12/0.08]

REMOVABLE CRIMP SIGNAL CONTACT

FOR USE WITH CBCD SERIES CONNECTORS

SIZE 22

Note: Connectors can be kitted with all applicable removable contacts, contact Technical Sales for connector part number.



FEMALE PART NUMBER	WIRE SIZE AWG [mm <sup>2</sup> ]
FC8022D2	22 / 24 / 26 / 28 / 30 [0.3/0.25/0.12/0.08/0.05]

MALE PART NUMBER	WIRE SIZE AWG [mm <sup>2</sup> ]
MC8022D	22 / 24 / 26 / 28 / 30 [0.3/0.25/0.12/0.08/0.05]

For information regarding crimp tool and crimping tool techniques, see Application Tools section, page 73.



Positronic  
connectpositronic.com

# REMOVABLE CONTACTS

Combo-D  
D-Sub

## CRIMP SIGNAL CONTACT FOR USE WITH CBCD SERIES CONNECTORS CONTACTS USED WITH 20 AWG WIRE

### SIZE 22

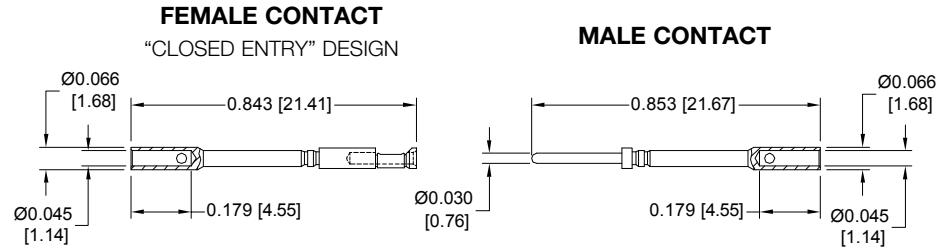


Authentic Positronic<sup>®</sup>  
**PosiBand<sup>®</sup>**

These contacts utilize authentic Positronic PosiBand<sup>®</sup> technology.  
Protected by U.S. Patent 7,115,002

The crimp area of these contacts is not protected when fully seated in the connector molding. These contacts require shrink tubing after installation. These contact cannot be removed from connector after installation. Not suitable for fully loaded connector.

**Note:** Connectors can be kitted with all applicable crimp contacts, contact Technical Sales for connector part number.



Crimp area extends above connector molding.

FEMALE PART NUMBER	WIRE SIZE AWG [mm <sup>2</sup> ]
<b>FC8020D2</b>	20 [0.5] max

MALE PART NUMBER	WIRE SIZE AWG [mm <sup>2</sup> ]
<b>MC8020D</b>	20 [0.5] max

## REMOVABLE THERMOCOUPLE SIGNAL CRIMP SIGNAL CONTACT

FOR USE WITH CBCD SERIES CONNECTORS

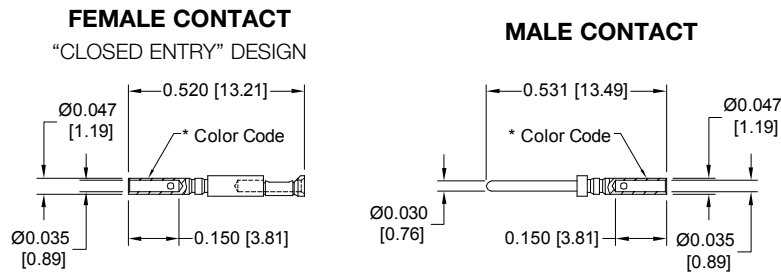
### SIZE 22



Authentic Positronic<sup>®</sup>  
**PosiBand<sup>®</sup>**

These contacts utilize authentic Positronic PosiBand<sup>®</sup> technology.  
Protected by U.S. Patent 7,115,002

**Note:** Connectors can be kitted with all applicable removable contacts, contact Technical Sales for connector part number.



TYPE	MATERIAL	FEMALE PART NUMBER	MALE PART NUMBER	COLOR CODE*	WIRE SIZE AWG [mm <sup>2</sup> ]
<b>K</b>	CHROMEL (+)	<b>FC8022D2CH</b>	<b>MC8022DCH</b>	WHITE	22 / 24 / 26 [ 0.3 / 0.25 / 0.12 ]
	ALUMEL (-)	<b>FC8022D2AL</b>	<b>MC8022DAL</b>	GREEN	22 / 24 / 26 [ 0.3 / 0.25 / 0.12 ]
<b>T</b>	COPPER (+) with gold flash	<b>FC8022D2CU</b>	<b>MC8022DCU</b>	RED	22 / 24 / 26 [ 0.3 / 0.25 / 0.12 ]
	CONSTANTAN (-)	<b>FC8022D2CO</b>	<b>MC8022DCO</b>	YELLOW	22 / 24 / 26 [ 0.3 / 0.25 / 0.12 ]
<b>E</b>	CHROMEL (+)	<b>FC8022D2CH</b>	<b>MC8022DCH</b>	WHITE	22 / 24 / 26 [ 0.3 / 0.25 / 0.12 ]
	CONSTANTAN (-)	<b>FC8022D2CO</b>	<b>MC8022DCO</b>	YELLOW	22 / 24 / 26 [ 0.3 / 0.25 / 0.12 ]

For more information on the availability of Type J thermocouple contacts, please contact Technical Sales.

For more information about thermocouple contacts with PCB solder termination, please contact Technical Sales.

Chromel<sup>®</sup> and Alumel<sup>®</sup> are registered trademarks of Hoskins Manufacturing Company

For information regarding crimp tool and crimping tool techniques, see Application Tools section, page 73.



MILITARY LEVEL REMOVABLE CRIMP SIGNAL CONTACT

FOR USE WITH CBC SERIES CONNECTORS



Authentic Positronic®  
PosiBand®

These contacts utilize authentic Positronic PosiBand® technology.  
Protected by U.S. Patent 7,115,002

SIZE 20

QUALIFIED TO AS39029

Note: Connectors can be kitted with all applicable removable contacts, contact Technical Sales for connector part number.

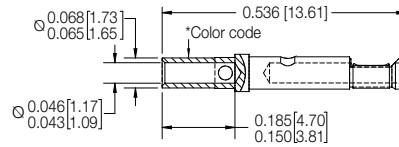
\*MILITARY SPECIFICATION CONTACTS

STANDARD FINISH:  
50µin [1.27µm] gold over nickel

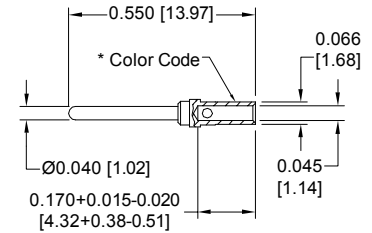
COLOR CODE:  
MALE CONTACT:  
ORANGE/BLUE/WHITE  
FEMALE CONTACT:  
ORANGE/BLUE/GRAY

FEMALE CONTACT

"CLOSED ENTRY" DESIGN



MALE CONTACT



FEMALE PART NUMBER	WIRE SIZE AWG [mm²]
*M39029/63-368	20 / 22 / 24 [0.5/0.3/0.25]

Positronic is qualified to supply the legacy design, as well as, the PosiBand design. If the requirement is for the PosiBand design exclusively, notify sales at time of quotation for order placement when requesting M39029 contacts.

MALE PART NUMBER	WIRE SIZE AWG [mm²]
*M39029/64-369	20 / 22 / 24 [0.5/0.3/0.25]

INDUSTRIAL / MILITARY LEVEL REMOVABLE CRIMP SIGNAL CONTACT

FOR USE WITH CBC SERIES CONNECTORS

SIZE 20

Note: Connectors can be kitted with all applicable removable contacts, contact Technical Sales for connector part number.

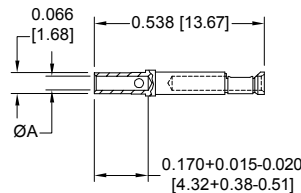


Authentic Positronic®  
PosiBand®

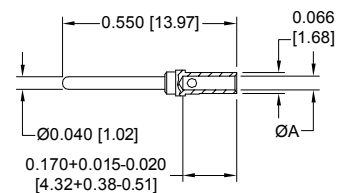
These contacts utilize authentic Positronic PosiBand® technology.  
Protected by U.S. Patent 7,115,002

FEMALE CONTACT

"CLOSED ENTRY" DESIGN



MALE CONTACT



FEMALE PART NUMBER	WIRE SIZE AWG [mm²]	ØA
FC6020D2	20 / 22 / 24 [0.5/0.3/0.25]	0.045 [1.14]
FC6026D2	26 / 28 / 30 [0.12/0.08/0.05]	0.027 [0.69]

MALE PART NUMBER	WIRE SIZE AWG [mm²]	ØA
MC6020D	20 / 22 / 24 [0.5/0.3/0.25]	0.045 [1.14]
MC6026D	26 / 28 / 30 [0.12/0.08/0.05]	0.027 [0.69]

For information regarding crimp tool and crimping tool techniques, see Application Tools section, page 73.



## INDUSTRIAL / MILITARY LEVEL CRIMP SIGNAL CONTACT

FOR USE WITH CBC SERIES CONNECTORS

CONTACTS USED WITH 18 AWG WIRE

### SIZE 20

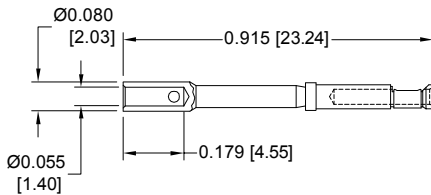


**Note:** Connectors can be kitted with all applicable crimp contacts, contact Technical Sales for connector part number.

The crimp area of these contacts is not protected when fully seated in the connector molding. These contacts require shrink tubing after installation. These contact cannot be removed from connector after installation. Not suitable for fully loaded connector.

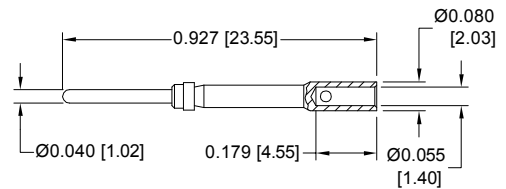
### FEMALE CONTACT

"CLOSED ENTRY" DESIGN



FEMALE PART NUMBER	WIRE SIZE AWG [mm <sup>2</sup> ]
<b>FC6018D2</b>	18 [1.0] max

### MALE CONTACT



MALE PART NUMBER	WIRE SIZE AWG [mm <sup>2</sup> ]
<b>MC6018D</b>	18 [1.0] max

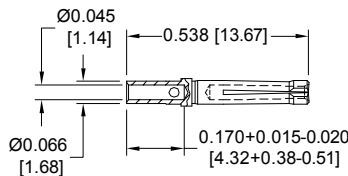
## PROFESSIONAL LEVEL REMOVABLE CRIMP SIGNAL CONTACT

FOR USE WITH CBC AND QB SERIES CONNECTORS

### SIZE 20

### FEMALE CONTACT

"RUGGED OPEN ENTRY" DESIGN



**Note:** Connectors can be kitted with all applicable removable contacts, contact Technical Sales for connector part number.

FEMALE PART NUMBER	WIRE SIZE AWG [mm <sup>2</sup> ]
<b>FC6520D</b>	20 / 22 / 24 [0.5/0.3/0.25]

For information regarding crimp tool and crimping tool techniques, see Application Tools section, page 73.



REMOVABLE THERMOCOUPLE CRIMP CONTACT

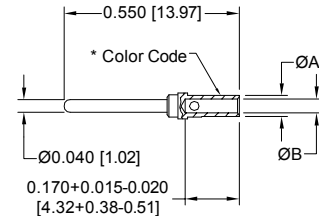
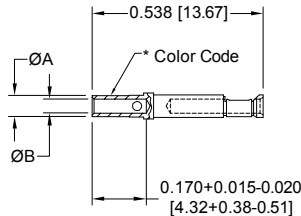
FOR USE WITH CBC SERIES CONNECTORS

SIZE 20

FEMALE CONTACT  
"CLOSED ENTRY" DESIGN

Note: Connectors can be kitted with all applicable removable contacts, contact Technical Sales for connector part number.

MALE CONTACT



TYPE	MATERIAL	FEMALE PART NUMBER	MALE PART NUMBER	COLOR CODE	WIRE SIZE AWG [mm <sup>2</sup> ]	ØA	ØB
K	CHROMEL (+)	FC6020D2CH <sup>††</sup>	MC6020DCH <sup>†</sup>	WHITE	20 / 22 / 24 [0.5 / 0.3 / 0.25]	0.066 [1.68]	0.045 [1.14]
		FC6026D2CH	MC6026DCH		26 / 28 / 30 [0.12 / 0.08 / 0.05]	0.048 [1.23]	0.027 [0.69]
	ALUMEL (-)	FC6020D2AL <sup>††</sup>	MC6020DAL <sup>†</sup>	GREEN	20 / 22 / 24 [0.5 / 0.3 / 0.25]	0.066 [1.68]	0.045 [1.14]
		FC6026D2AL	MC6026DAL		26 / 28 / 30 [0.12 / 0.08 / 0.05]	0.048 [1.23]	0.027 [0.69]
T	COPPER (+) with gold flash	FC6020D2CU <sup>††</sup>	MC6020DCU <sup>†</sup>	RED	20 / 22 / 24 [0.5 / 0.3 / 0.25]	0.066 [1.68]	0.045 [1.14]
		FC6026D2CU	MC6026DCU		26 / 28 / 30 [0.12 / 0.08 / 0.05]	0.048 [1.23]	0.027 [0.69]
	CONSTANTAN (-)	FC6020D2CO <sup>††</sup>	MC6020DCO <sup>†</sup>	YELLOW	20 / 22 / 24 [0.5 / 0.3 / 0.25]	0.066 [1.68]	0.045 [1.14]
		FC6026D2CO	MC6026DCO		26 / 28 / 30 [0.12 / 0.08 / 0.05]	0.048 [1.23]	0.027 [0.69]
E	CHROMEL (+)	FC6020D2CH <sup>††</sup>	MC6020DCH <sup>†</sup>	WHITE	20 / 22 / 24 [0.5 / 0.3 / 0.25]	0.066 [1.68]	0.045 [1.14]
		FC6026D2CH	MC6026DCH		26 / 28 / 30 [0.12 / 0.08 / 0.05]	0.048 [1.23]	0.027 [0.69]
	CONSTANTAN (-)	FC6020D2CO <sup>††</sup>	MC6020DCO <sup>†</sup>	YELLOW	20 / 22 / 24 [0.5 / 0.3 / 0.25]	0.066 [1.68]	0.045 [1.14]
		FC6026D2CO	MC6026DCO		26 / 28 / 30 [0.12 / 0.08 / 0.05]	0.048 [1.23]	0.027 [0.69]

For more information on the availability of Type J thermocouple contacts, and information about thermocouple contacts with PCB solder termination, please contact Technical Sales.

Chromel<sup>®</sup> and Alumel<sup>®</sup> are registered trademarks of Hoskins Manufacturing Company.

<sup>††</sup>Dimensionally equivalent to M39029/64-369

<sup>††</sup>Dimensionally equivalent to M39029/63-368

REMOVABLE CRIMP POWER CONTACT

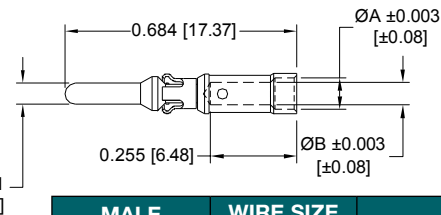
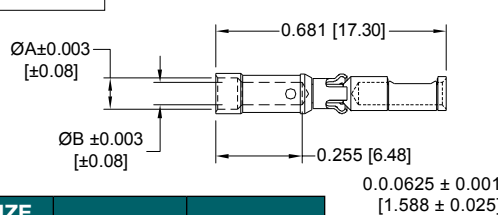
FOR USE WITH CBCD SERIES CONNECTORS

SIZE 16

\*1 FEMALE CONTACT  
"CLOSED ENTRY" DESIGN, L.S.A.

Note: Connectors can be kitted with all applicable removable contacts, contact Technical Sales for connector part number.

MALE CONTACT



FEMALE PART NUMBER	WIRE SIZE AWG [mm <sup>2</sup> ]	ØA	ØB
FC112N4S	12 / [4.0]	N/A	0.098 [2.49]
FC112N4	12 / [4.0]	N/A	0.098 [2.49]
FC114N4	14-16 [2.5-1.5]	0.105 [2.67]	0.081 [2.06]
FC116N4	16-18 [1.5-1.0]	0.093 [2.36]	0.067 [1.70]
FC120N4	20-22-24 [0.5-0.3-0.25]	0.068 [1.73]	0.045 [1.14]

"S" in part number indicates high conductivity copper alloy material.

MALE PART NUMBER	WIRE SIZE AWG [mm <sup>2</sup> ]	ØA	ØB
MC112NS-133.0	12 / [4.0]	N/A	0.098 [2.49]
MC112N-133.0	12 / [4.0]	N/A	0.098 [2.49]
MC114N-133.0	14-16 [2.5-1.5]	0.105 [2.67]	0.081 [2.06]
MC116N-133.0	16-18 [1.5-1.0]	0.093 [2.36]	0.067 [1.70]
MC120N-133.0	20-22-24 [0.5-0.3-0.25]	0.068 [1.73]	0.045 [1.14]

\*1 NOTE: Female contacts feature Large Surface Area (L.S.A.) closed entry contact design which provides maximum mating surfaces between male and female contact and reduced contact resistance during operation.

For information regarding crimp tool and crimping tool techniques, see Application Tools section, page 73.



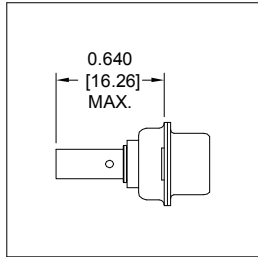
## REMOVABLE CRIMP POWER CONTACT

FOR USE WITH CBD, CBC, CBCD AND CBDD SERIES CONNECTORS

### SIZE 8

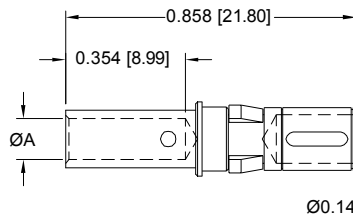
Note: Connectors can be kitted with all applicable removable contacts, contact Technical Sales for connector part number.

For contact current rating, see page 4.

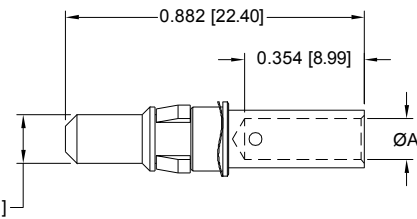


#### \*1 FEMALE CONTACT

"CLOSED ENTRY" DESIGN, L.S.A.



#### MALE CONTACT



FEMALE PART NUMBER	WIRE SIZE AWG [mm <sup>2</sup> ]	Ø A
FC4008DS	8 [10.0]	0.181 [4.60]
FC4008D	8 [10.0]	0.181 [4.60]
FC4010D	10 [5.3]	0.122 [3.10]
FC4012D	12 [4.0]	0.101 [2.57]
FC4016D	16 [1.5]	0.067 [1.70]

"S" in part number indicates high conductivity copper alloy material.

MALE PART NUMBER	WIRE SIZE AWG [mm <sup>2</sup> ]	Ø A
MC4008DS	8 [10.0]	0.181 [4.60]
MC4008D	8 [10.0]	0.181 [4.60]
MC4010D	10 [5.3]	0.122 [3.10]
MC4012D	12 [4.0]	0.101 [2.57]
MC4016D	16 [1.5]	0.067 [1.70]

\*1 NOTE: Female contacts feature Large Surface Area (L.S.A.) closed entry contact design which provides maximum mating surfaces between male and female contact and reduced contact resistance during operation.

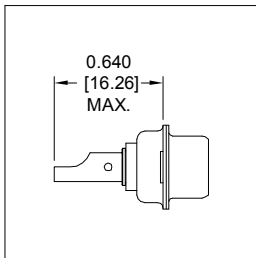
## REMOVABLE SOLDER CUP POWER CONTACT

FOR USE WITH CBD, CBC, CBCD AND CBDD SERIES CONNECTORS

### SIZE 8

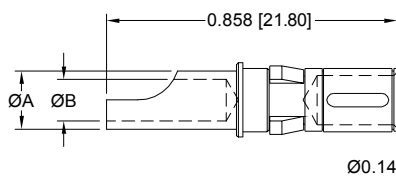
Note: Connectors can be kitted with all applicable removable contacts, contact Technical Sales for connector part number.

For contact current rating, see page 4.

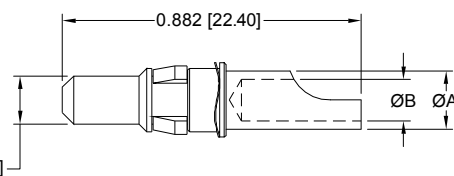


#### \*1 FEMALE CONTACT

"CLOSED ENTRY" DESIGN, L.S.A.



#### MALE CONTACT



FEMALE PART NUMBER	WIRE SIZE AWG [mm <sup>2</sup> ]	Ø A	Ø B
FS4008D	8 [10.0]	0.219 [5.56]	0.188 [4.78]
FS4012D	12 [4.0]	0.143 [3.63]	0.112 [2.84]
FS4016D	16 [1.5]	0.100 [2.54]	0.069 [1.75]

MALE PART NUMBER	WIRE SIZE AWG [mm <sup>2</sup> ]	Ø A	Ø B
MS4008D	8 [10.0]	0.219 [5.56]	0.188 [4.78]
MS4012D	12 [4.0]	0.143 [3.63]	0.112 [2.84]
MS4016D	16 [1.5]	0.100 [2.54]	0.069 [1.75]

\*1 NOTE: Female contacts feature Large Surface Area (L.S.A.) closed entry contact design which provides maximum mating surfaces between male and female contact and reduced contact resistance during operation.

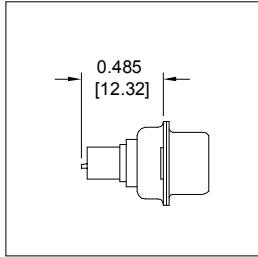
For information regarding crimp tool and crimping tool techniques, see Application Tools section, page 73.

**REMOVABLE HIGH VOLTAGE POWER CONTACT**  
FOR USE WITH CBD, CBC, CBCD AND CBDD SERIES CONNECTORS

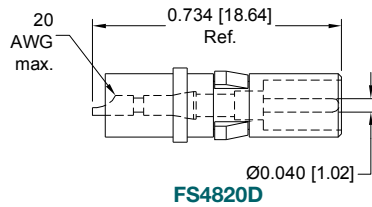
SIZE 8

**Note:** Connectors can be kitted with all applicable removable contacts, contact Technical Sales for connector part number.

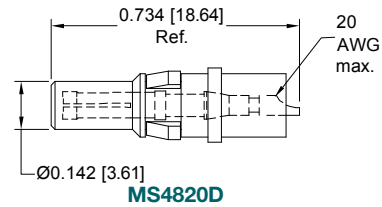
**STRAIGHT SOLDER WIRE TERMINATION**



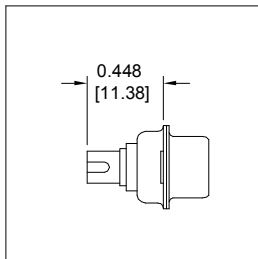
**FEMALE CONTACT**



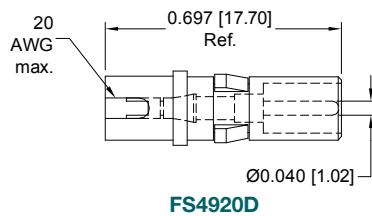
**MALE CONTACT**



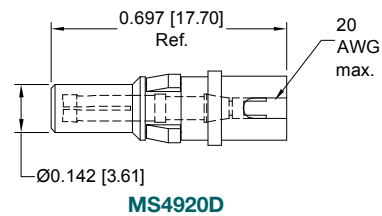
**RIGHT ANGLE (90°) SOLDER WIRE TERMINATION**



**FEMALE CONTACT**



**MALE CONTACT**



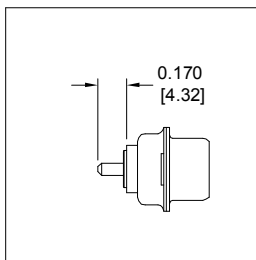
**STRAIGHT PRINTED BOARD MOUNT POWER CONTACT**

FOR USE WITH CBD AND CBDD SERIES CONNECTORS

SIZE 8

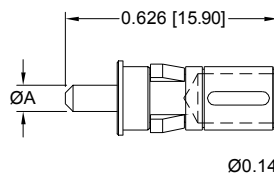
Positronic recommends printed circuit board termination contacts be supplied installed in the connector. Contact technical sales for part number information.

For contact current rating, see page 4.

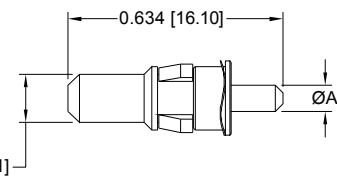


**\*1 FEMALE CONTACT**

“CLOSED ENTRY” DESIGN, L.S.A.



**MALE CONTACT**



FEMALE PART NUMBER	Ø A	CONTACT CODE
FDS4314D	0.078 [1.98]	35
FDS4312D	0.094 [2.39]	36
FDS4310D	0.125 [3.18]	37

MALE PART NUMBER	Ø A	CONTACT CODE
MDS4314D	0.078 [1.98]	35
MDS4312D	0.094 [2.39]	36
MDS4310D	0.125 [3.18]	37

**\*1 NOTE:** Female contacts feature Large Surface Area (L.S.A.) closed entry contact design which provides maximum mating surfaces between male and female contact and reduced contact resistance during operation.

For information regarding crimp tool and crimping tool techniques, see Application Tools section, page 73.

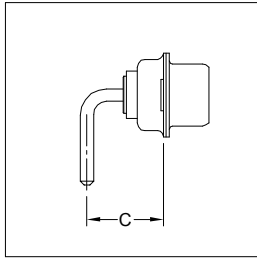


**RIGHT ANGLE (90°) PRINTED BOARD MOUNT POWER CONTACT**  
FOR USE WITH CBD AND CBDD SERIES CONNECTORS

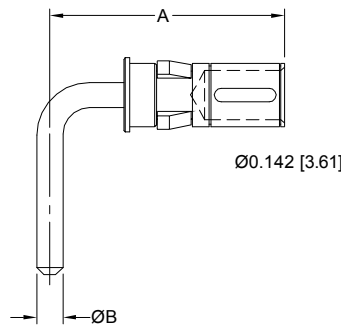
**SIZE 8**

Positronic recommends printed circuit board termination contacts be supplied installed in the connector. Contact technical sales for part number information.

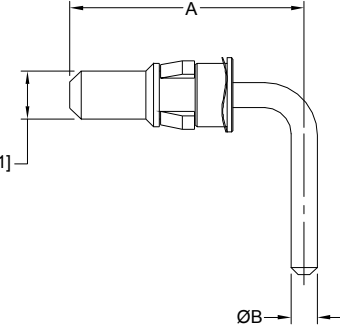
For contact current rating, see page 4.



**\*1 FEMALE CONTACT**  
“CLOSED ENTRY” DESIGN, L.S.A.



**MALE CONTACT**



FEMALE PART NUMBER	A REF.	Ø B	C	SHELL SIZE	CONTACT CODE
FRT4314D	0.580 [14.73]	0.078 [1.98]	0.339 [8.61]	1, 2, 3 & 4	55
FRT4414D	0.692 [17.58]	0.078 [1.98]	0.451 [11.46]	5	55
FRT4714D	0.661 [16.79]	0.078 [1.98]	0.420 [10.67]	1, 2, 3 & 4	75
FRT4814D	0.773 [19.63]	0.078 [1.98]	0.520 [13.21]	5	75
FRT4310D	1.051 [26.70]	0.125 [3.18]	0.810 [20.57]	1, 2, 3 & 4	57
FRT4410D	1.051 [26.70]	0.125 [3.18]	0.810 [20.57]	5	57

MALE PART NUMBER	A REF.	Ø B	C	SHELL SIZE	CONTACT CODE
MRT4314D	0.580 [14.73]	0.078 [1.98]	0.339 [8.61]	1, 2, 3 & 4	55
MRT4414D	0.692 [17.58]	0.078 [1.98]	0.451 [11.46]	5	55
MRT4714D	0.661 [16.79]	0.078 [1.98]	0.420 [10.67]	1, 2, 3 & 4	75
MRT4814D	0.773 [19.63]	0.078 [1.98]	0.520 [13.21]	5	75
MRT4310D	1.051 [26.70]	0.125 [3.18]	0.810 [20.57]	1, 2, 3 & 4	57
MRT4410D	1.051 [26.70]	0.125 [3.18]	0.810 [20.57]	5	57

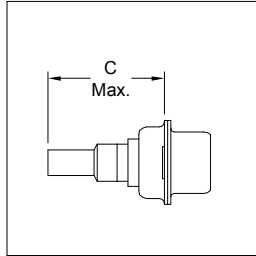
**\*1 NOTE:** Female contacts feature Large Surface Area (L.S.A.) closed entry contact design which provides maximum mating surfaces between male and female contact and reduced contact resistance during operation.

For information regarding crimp tool and crimping tool techniques, see Application Tools section, page 73.

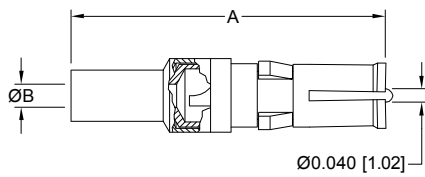
**REMOVABLE SHIELDED CONTACT**  
FOR USE WITH CBD, CBC, CBCD AND CBDD SERIES CONNECTORS  
**SIZE 8**

**Note:** Connectors can be kitted with all applicable removable contacts, contact Technical Sales for connector part number.

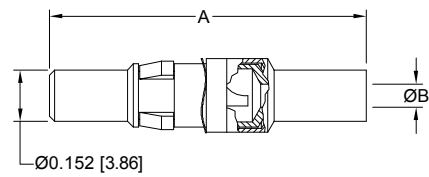
**STRAIGHT SOLDER/CRIMP CONTACTS**



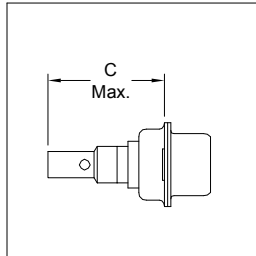
**FEMALE CONTACT**



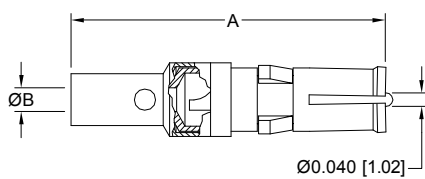
**MALE CONTACT**



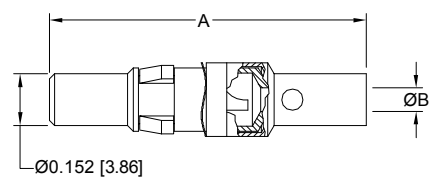
**STRAIGHT SOLDER/SOLDER CONTACTS**



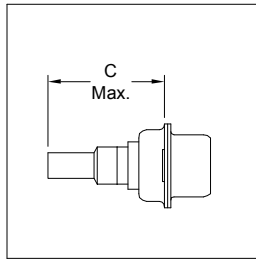
**FEMALE CONTACT**



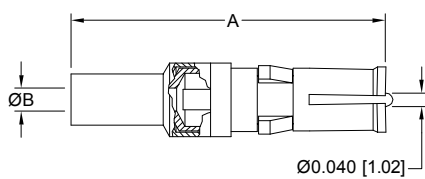
**MALE CONTACT**



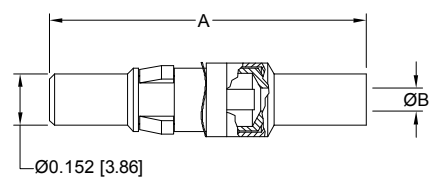
**STRAIGHT CRIMP/CRIMP CONTACTS**



**FEMALE CONTACT**



**MALE CONTACT**



TYPE OF CONTACT	FEMALE PART NUMBER	MALE PART NUMBER	A	Ø B	C MAX.	RG CABLE NUMBER
SOLDER/CRIMP	<b>FC4101D</b>	<b>MC4101D</b>	0.929 [23.60]	0.040 [1.02]	0.739 [18.77]	178 B/U 196 B/U
SOLDER/CRIMP	<b>FC4102D</b>	<b>MC4102D</b>	0.929 [23.60]	0.067 [1.70]	0.739 [18.77]	179 B/U 316 /U
SOLDER/CRIMP	<b>FC4103D</b>	<b>MC4103D</b>	1.037 [26.34]	0.108 [2.74]	0.847 [21.51]	180 B/U
SOLDER/CRIMP	<b>FC4104D</b>	<b>MC4104D</b>	1.037 [26.34]	0.120 [3.05]	0.847 [21.51]	58 B/U
SOLDER/SOLDER	<b>FS4101D</b>	<b>MS4101D</b>	0.929 [23.60]	0.040 [1.02]	0.739 [18.77]	178 B/U 196 B/U
SOLDER/SOLDER	<b>FS4102D</b>	<b>MS4102D</b>	0.929 [23.60]	0.067 [1.70]	0.739 [18.77]	179 B/U 316 /U
SOLDER/SOLDER	<b>FS4103D</b>	<b>MS4103D</b>	1.037 [26.34]	0.108 [2.74]	0.847 [21.51]	180 B/U
SOLDER/SOLDER	<b>FS4104D</b>	<b>MS4104D</b>	1.037 [26.34]	0.120 [3.05]	0.847 [21.51]	58 B/U
CRIMP/CRIMP	<b>FCC4101D</b>	<b>MCC4101D</b>	0.929 [23.60]	0.040 [1.02]	0.739 [18.77]	178 B/U 196 B/U
CRIMP/CRIMP	<b>FCC4102D</b>	<b>MCC4102D</b>	0.929 [23.60]	0.067 [1.70]	0.739 [18.77]	179 B/U 316 /U
CRIMP/CRIMP	<b>FCC4103D</b>	<b>MCC4103D</b>	1.037 [26.34]	0.108 [2.74]	0.847 [21.51]	180 B/U
CRIMP/CRIMP	<b>FCC4104D</b>	<b>MCC4104D</b>	1.037 [26.34]	0.120 [3.05]	0.847 [21.51]	58 B/U



**SHIELDED CONTACTS**

Two-step crimping action for signal and shielding conductors.

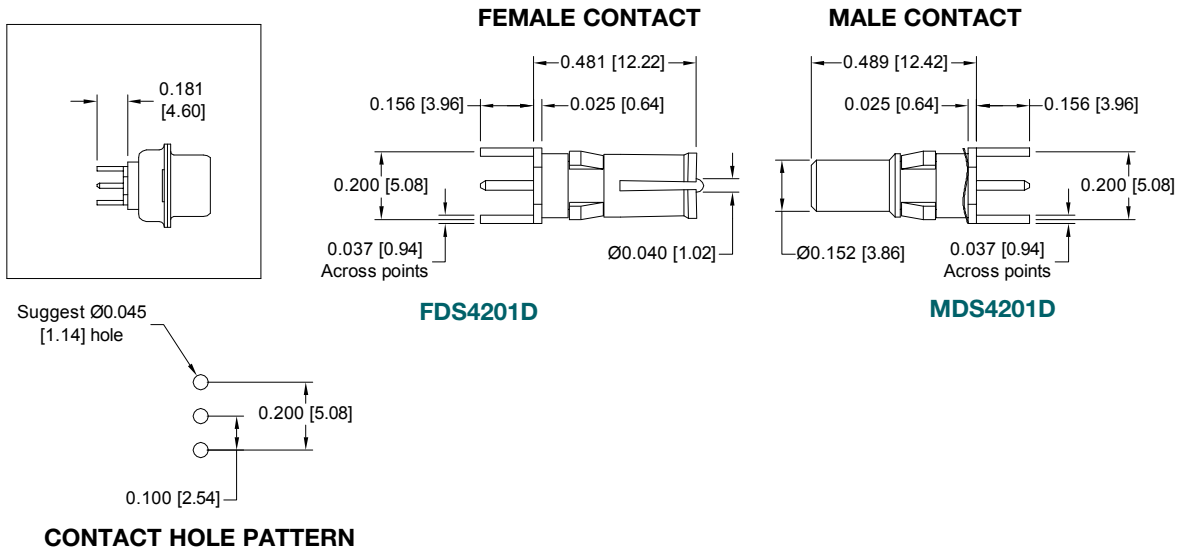
For information regarding crimp tool and crimping tool techniques, see Application Tools section, page 73.



## STRAIGHT PRINTED BOARD MOUNTED SHIELDED CONTACT FOR USE WITH CBD AND CBDD SERIES CONNECTORS

### SIZE 8

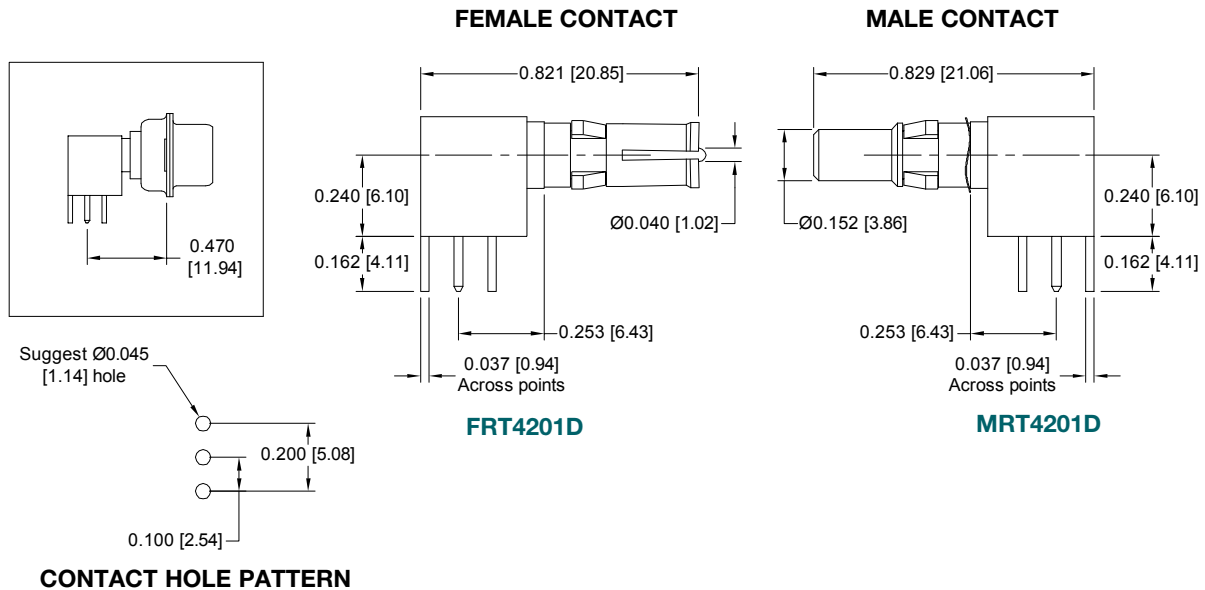
Positronic **recommends** printed circuit board termination **contacts be supplied installed** in the connector. [Contact technical sales](#) for part number information.



## RIGHT ANGLE (90°) PRINTED BOARD MOUNT SHIELDED CONTACT FOR USE WITH CBD AND CBDD SERIES CONNECTORS

### SIZE 8

Positronic **recommends** printed circuit board termination **contacts be supplied installed** in the connector. [Contact technical sales](#) for part number information.



For information regarding crimp tool and crimping tool techniques, see Application Tools section, page 73.



## MODIFICATION (MOS) SUFFIXES

Specify complete connector by selecting a base part number from the desired series [Ordering Information Page](#). Once base part number is selected, add desired modifications (MOS) number below to the end of the part number.

Example part number: CBD17W2F55R7NT2X/AA-14-1062.1 *(Ordering information pages can be found at the end of each series)*

SERIES	CONNECTOR VARIANT	GENDER	TERMINATION TYPE AVAILABLE	MODIFICATIONS OF STANDARD OF STANDARD (MOS) SUFFIXES	DESCRIPTION OF MODIFICATION
CBD	3W3	F / M	0	<b>-1841.0</b>	Allows for molding to have positions A1 and A3 tooled only. Position A2 not molded but numbering will remain.
CBD	5W5	F / M	0	<b>-1841.1</b>	Allows for molding to have positions 1, 3 and 5 tooled only. Positions 2 and 4 not molded but numbering will remain.
CBD	8W8	F / M	0	<b>-1841.2</b>	Allows for molding to have positions A1,A3,A5 and A7 tooled only. Positions A2,A4,A6 and A8 not molded but numbering will remain.
CBD, CBM	3W3, 8W8	M	0	<b>-1570.4</b>	Integral stabilizing feature used to minimize size 8 contacts from floating in the molding. Use tool number 4311-0-1-0 to remove contact if necessary.
CBC	36W4, 43W2				
CBD, CBC, CBDD, CBHD, CBCD, CBDP*, ACBDP, ACBMP	ALL	F / M	ALL	<b>-14</b>	Allows connector with signal contacts installed, for signal contacts only to be plated 30µin [.76µm] gold over nickel.
CBD, CBC, CBDD, CBHD, CBCD, ACBDP, ACBMP	ALL	F / M	ALL	<b>-14-1062.1</b>	Allows connector with signal and power contacts installed, for both signal and power contacts to be plated 30µin [.76µm] gold over nickel.
CBD, CBC, CBDD, CBHD, CBCD, CBDP*, ACBDP, ACBMP	ALL	F / M	ALL	<b>-15</b>	Allows connector with signal contacts installed, for signal contacts only to be plated 50µin [1.27µm] gold over nickel.
CBD, CBC, CBDD, CBHD, CBCD, ACBDP, ACBMP	ALL	F / M	ALL	<b>-15-1062.0</b>	Allows connector with signal and power contacts installed, for both signal and power contacts to be plated 50µin [1.27µm] gold over nickel.
CBD, CBM, CBC, CBDD, CBHD, CBCD	ALL	F / M	ALL	<b>-1062.0</b>	Allows connector with power contacts installed, for the power contacts only to be plated 50µin [1.27µm] gold over nickel.
CBD, CBM, CBC, CBDD, CBHD, CBCD	ALL	F / M	ALL	<b>-1062.1</b>	Allows connector with power contacts installed, for the power contacts only to be plated 30µin [.76µm] gold over nickel.
CBD, CBM, CBC, CBDD, CBHD, CBCD	ALL	F / M	ALL	<b>-759.0</b>	Allows connectors to be supplied with blind mate guides, lockwashers and hexnuts installed. For connectors with a 4-40 threaded mounting style install blind mate guides only. For connectors with a R3/R6 mounting style install special blind mate guides with lockwashers and hexnuts. See D-subminiature Accessories catalog for more details.
CBD, CBM, CBC, CBDD, CBHD, CBCD	ALL	F / M	ALL	<b>-759.1</b>	Allows connector, with any contacts to include blind mate mounting plate. See D-subminiature Accessories catalog for more details.
QB	FOR CONTACTS	F	FC40**D CONTACTS	<b>-1817.0</b>	Allows for contacts to have a crimp barrel with a length of 0.310 [7.87].
QB	7W2, 9W4	M	56, 57	<b>-1865.0</b>	Connector with standard right angle (90°) brackets replaced with 4535-78-0 right angle (90°) brackets.
QB	7W2	M	N/A	<b>-1845.0</b>	Allows for a connector to be supplied with inverted bend. Contact tail length below bracket of 0.122 [3.10] max. Alignment bar not required.

**MANY OTHER SPECIAL OPTIONS ARE AVAILABLE REFER TO D-SUBMINIATURE ACCESSORIES CATALOG, CONSULT TECHNICAL SALES OR VISIT OUR WEBSITE AT WWW.CONNECTPOSITRONIC.COM**



## APPLICATION TOOLS SECTION

*CBD / CBM / CBC / CBCD connectors are offered with **removable crimp contacts**. Positronic recognizes the **importance of supplying application tooling** to support our customers' use of our products.*



*Information on application tooling is*

***available** on our web site at*

***[www.connectpositronic.com/tooling](http://www.connectpositronic.com/tooling)***



*There you will find **downloadable PDF** cross reference charts for removable and compliant press-fit contacts. These charts will **supply part numbers** for insertion, removal and crimping tools, along with **information regarding use** of tools and techniques.*



CONTACT APPLICATION TOOLS CROSS REFERENCE LIST

USE INDICATED POSITRONIC TOOLS FOR BEST RESULTS

Contact Size	Positronic Contact P/N	Handle & Positioner P/N	Hand Crimp Tool P/N	Mfg. Cross	Mill Equiv	Positioner	Mfg. Cross	Mill Equiv	Insertion Tool	Mfg. Cross	Mill Equiv	Removal Tool	Mfg. Cross	Mill Equiv
8	FA4063S											4311-0-0-0	P+	
8	FC4008D	9504-19-0-0	9504-1-0-0	HX4	M22520/5-01	9504-19-1-0	Y524	N/A				4311-0-0-0	P+	
8	FC4008D-1817.0	9504-19-0-0	9504-1-0-0	HX4	M22520/5-01	9504-19-1-0	Y524	N/A				4311-0-0-0	P+	
8	FC4008DS	9504-19-0-0	9504-1-0-0	HX4	M22520/5-01	9504-19-1-0	Y524	N/A				4311-0-0-0	P+	
8	FC4011D	9509-0-0-0	9509-1-0-0	M310		9509-2-0-0	TP-974	N/A				4311-0-0-0	P+	
8	FC4012D-1817.0	9509-0-0-0	9509-1-0-0	M310		9509-2-0-0	TP-974	N/A				4311-0-0-0	P+	
8	FC4101D	9504-0-0-0	9504-1-0-0	HX4	M22520/5-01	9504-2-0-0	Y322	N/A				4311-0-0-0	P+	
8	FCC4102D	9504-13-0-0	9504-1-0-0	HX4	M22520/5-01	9504-13-1-0	Y937	N/A				4311-0-0-0	P+	
8	FCC4103D	9504-15-0-0	9504-1-0-0	HX4	M22520/5-01	9504-15-1-0	Y877	N/A				4311-0-0-0	P+	
8	FCC4104D	9504-15-0-0	9504-1-0-0	HX4	M22520/5-01	9504-15-1-0	Y877	N/A				4311-0-0-0	P+	
8	FDS4101D											4311-0-0-0	P+	
8	FRT4201D											4311-0-0-0	P+	
8	FRT411D											4311-0-0-0	P+	
8	FS4008D											4311-0-0-0	P+	
8	FS4011D											4311-0-0-0	P+	
8	FS4101D											4311-0-0-0	P+	
8	FS420D											4311-0-0-0	P+	
8	MA4063S											4311-0-0-0	P+	
8	MC4008D	9504-19-0-0	9504-1-0-0	HX4	M22520/5-01	9504-19-1-0	Y524	N/A				4311-0-0-0	P+	
8	MC4008DS	9504-19-0-0	9504-1-0-0	HX4	M22520/5-01	9504-19-1-0	Y524	N/A				4311-0-0-0	P+	
8	MC4011D	9509-0-0-0	9509-1-0-0	M310		9509-2-0-0	TP-974	N/A				4311-0-0-0	P+	
8	MC4101D	9504-0-0-0	9504-1-0-0	HX4	M22520/5-01	9504-2-0-0	Y322	N/A				4311-0-0-0	P+	
8	MCC4101D	9504-14-0-0	9504-1-0-0	HX4	M22520/5-01	9504-14-1-0	Y878	N/A				4311-0-0-0	P+	
8	MCC4102D	9504-13-0-0	9504-1-0-0	HX4	M22520/5-01	9504-13-1-0	Y937	N/A				4311-0-0-0	P+	
8	MCC4103D	9504-15-0-0	9504-1-0-0	HX4	M22520/5-01	9504-15-1-0	Y877	N/A				4311-0-0-0	P+	
8	MCC4104D	9504-15-0-0	9504-1-0-0	HX4	M22520/5-01	9504-15-1-0	Y877	N/A				4311-0-0-0	P+	
8	MDS4201D											4311-0-0-0	P+	
8	MDS411D											4311-0-0-0	P+	
8	MS4008D											4311-0-0-0	P+	
8	MS4011D											4311-0-0-0	P+	
8	MS4101D											4311-0-0-0	P+	
8	MS420D											4311-0-0-0	P+	

\* for complete listing of contact part numbers, see removable contact section pages 60-71.



CONTACT APPLICATION TOOLS CROSS REFERENCE LIST

USE INDICATED POSITRONIC TOOLS FOR BEST RESULTS

\* for complete listing of contact part numbers, see removable contact section pages 60-71.

Contact Size	Positronic Contact P/N	Handle & Positioner P/N	Hand Crimp Tool P/N	Mfg. Cross	Mill Equiv	Positioner	Mfg. Cross	Mill Equiv	Insertion Tool	Mfg. Cross	Mill Equiv	Removal Tool	Mfg. Cross	Mill Equiv
22	FC8020D2		9507-0-0-0	AFM8	M22520/2-01	9502-29-0-0	K1665							
22	FC8022D2		9507-0-0-0	AFM8	M22520/2-01	9502-3-0-0	K-41	M22520/2-06	M81969/1-04	91067-1	M81969/1-04	M81969/1-04	91067-1	M81969/1-04
22	FC8022D2** Thermocouple		9507-0-0-0	AFM8	M22520/2-01	9502-3-0-0	K-41	M22520/2-06	M81969/1-04	91067-1	M81969/1-04	M81969/1-04	91067-1	M81969/1-04
22	MC8020D		9507-0-0-0	AFM8	M22520/2-01	9502-29-0-0	K1665		M81969/1-04	91067-1	M81969/1-04	M81969/1-04	91067-1	M81969/1-04
22	MC8022D		9507-0-0-0	AFM8	M22520/2-01	9502-4-0-0	K-42	M22520/2-09	M81969/1-04	91067-1	M81969/1-04	M81969/1-04	91067-1	M81969/1-04
22	MC8022D** Thermocouple		9507-0-0-0	AFM8	M22520/2-01	9502-4-0-0	K-42	M22520/2-09	M81969/1-04	91067-1	M81969/1-04	M81969/1-04	91067-1	M81969/1-04
22	M39029/57-354		9507-0-0-0	AFM8	M22520/2-01	9502-3-0-0	K41	M22520/2-06	M81969/1-04	91067-1	M81969/1-04	M81969/1-04	91067-1	M81969/1-04
22	M39029/56-360		9507-0-0-0	AFM8	M22520/2-01	9502-4-0-0	K42	M22520/2-09	M81969/1-04	91067-1	M81969/1-04	M81969/1-04	91067-1	M81969/1-04
20	FC6018D2		9507-0-0-0	AFM8	M22520/2-01	9502-11-0-0	K774		M81969/1-02	91067-2	M81969/1-02	M81969/1-02	91067-2	M81969/1-02
20	FC6020D2		9507-0-0-0	AFM8	M22520/2-01	9502-5-0-0	K13-1	M22520/2-08	M81969/1-02	91067-2	M81969/1-02	M81969/1-02	91067-2	M81969/1-02
20	FC6020D2** Thermocouple		9507-0-0-0	AFM8	M22520/2-01	9502-5-0-0	K13-1	M22520/2-08	M81969/1-02	91067-2	M81969/1-02	M81969/1-02	91067-2	M81969/1-02
20	FC6026D2		9507-0-0-0	AFM8	M22520/2-01	9502-5-0-0	K13-1	M22520/2-08	M81969/1-02	91067-2	M81969/1-02	M81969/1-02	91067-2	M81969/1-02
20	FC6026D2** Thermocouple		9507-0-0-0	AFM8	M22520/2-01	9502-5-0-0	K13-1	M22520/2-08	M81969/1-02	91067-2	M81969/1-02	M81969/1-02	91067-2	M81969/1-02
20	FC6520D		9507-0-0-0	AFM8	M22520/2-01	9502-5-0-0	K13-1	M22520/2-08	M81969/1-02	91067-2	M81969/1-02	M81969/1-02	91067-2	M81969/1-02
20	M39029/6*-36*		9507-0-0-0	AFM8	M22520/2-01	9502-5-0-0	K13-1	M22520/2-08	M81969/1-02	91067-2	M81969/1-02	M81969/1-02	91067-2	M81969/1-02
20	MC6018D		9507-0-0-0	AFM8	M22520/2-01	9502-11-0-0	K774		M81969/1-02	91067-2	M81969/1-02	M81969/1-02	91067-2	M81969/1-02
20	MC6020D		9507-0-0-0	AFM8	M22520/2-01	9502-5-0-0	K13-1	M22520/2-08	M81969/1-02	91067-2	M81969/1-02	M81969/1-02	91067-2	M81969/1-02
20	MC6020D** Thermocouple		9507-0-0-0	AFM8	M22520/2-01	9502-5-0-0	K13-1	M22520/2-08	M81969/1-02	91067-2	M81969/1-02	M81969/1-02	91067-2	M81969/1-02
20	MC6026D		9507-0-0-0	AFM8	M22520/2-01	9502-5-0-0	K13-1	M22520/2-08	M81969/1-02	91067-2	M81969/1-02	M81969/1-02	91067-2	M81969/1-02
20	MC6026D** Thermocouple		9507-0-0-0	AFM8	M22520/2-01	9502-5-0-0	K13-1	M22520/2-08	M81969/1-02	91067-2	M81969/1-02	M81969/1-02	91067-2	M81969/1-02
16	FC11*N4		9501-0-0-0	AF8	M22520/1-01	T.B.D.	T.B.D.		M81969/18-01	9081-0-0-0	M81969/18-01	M81969/20-01	FTG 2103	M81969/20-01
16	FC112N4S		9509-4-0-0	GS222		9509-5-0-0	TP366		M81969/18-01	9081-0-0-0	M81969/18-01	M81969/20-01	FTG 2103	M81969/20-01
16	FC120N4		9501-0-0-0	AF8	M22520/1-01	T.B.D.	T.B.D.		M81969/18-01	9081-0-0-0	M81969/18-01	M81969/20-01	FTG 2103	M81969/20-01
16	MC11*N-1.33.0		9501-0-0-0	AF8	M22520/1-01	9502-17-0-0	TP1110		M81969/18-01	9081-0-0-0	M81969/18-01	M81969/20-01	FTG 2103	M81969/20-01
16	MC112NS-1.33.0		9509-4-0-0	GS222		9509-5-0-0	TP366		M81969/18-01	9081-0-0-0	M81969/18-01	M81969/20-01	FTG 2103	M81969/20-01
16	MC120N-1.33.0		9501-0-0-0	AF8	M22520/1-01	9502-17-0-0	TP1110		M81969/18-01	9081-0-0-0	M81969/18-01	M81969/20-01	FTG 2103	M81969/20-01



**SUGGESTED PRINTED BOARD HOLE SIZES FOR COMPLIANT PRESS-FIT CONNECTORS**

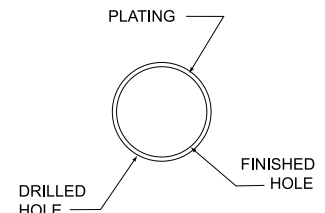
Traditionally, tin-lead has been a popular plating for printed circuit board (PCB) holes. However, many PCB hole platings must now be RoHS Compliant. Positronic is pleased to offer **PCB HOLE SIZE FOR RoHS** PCB plating as shown below.

OMEGA & BI-SPRING COMPLIANT PRESS-FIT CONTACT HOLE				
BOARD TYPE	CONTACT SIZE / TYPE	RECOMMENDED DRILL HOLE SIZE	RECOMMENDED PLATING	FINISHED HOLE SIZES
TIN-LEAD SOLDER PCB	22 OMEGA	$\phi 0.0453 \pm 0.0010$ [ $\phi 1.150 \pm 0.025$ ]	0.0006 [15 $\mu$ ] minimum solder over 0.0010 [25 $\mu$ ] min. copper	$\phi 0.0394 + 0.0035 - 0.0024$ [ $\phi 1.000 + 0.090 - 0.060$ ]
	20 OMEGA	$\phi 0.0453 \pm 0.0010$ [ $\phi 1.150 \pm 0.025$ ]		$\phi 0.0394 + 0.0035 - 0.0024$ [ $\phi 1.000 + 0.090 - 0.060$ ]
	16 BI-SPRING	$\phi 0.069 \pm 0.001$ [ $\phi 1.750 \pm 0.025$ ]		$\phi 0.0630 + 0.0035 - 0.0024$ [ $\phi 1.600 + 0.090 - 0.060$ ]
	8 BI-SPRING	$\phi 0.125 \pm 0.001$ [ $\phi 3.180 \pm 0.025$ ]		$\phi 0.119 \pm 0.002$ [ $\phi 3.02 \pm 0.05$ ]
RoHS PCB PLATING OPTIONS				
COPPER PCB	22 OMEGA	$\phi 0.047 \pm 0.001$ [ $\phi 1.19 \pm 0.025$ ]	0.0010 [25 $\mu$ ] min. copper	$\phi 0.043 \pm 0.002$ [ $\phi 1.09 \pm 0.05$ ]
	20 OMEGA	$\phi 0.047 \pm 0.001$ [ $\phi 1.19 \pm 0.025$ ]		$\phi 0.043 \pm 0.002$ [ $\phi 1.09 \pm 0.05$ ]
	16 BI-SPRING	$\phi 0.069 \pm 0.001$ [ $\phi 1.750 \pm 0.025$ ]		$\phi 0.0630 + 0.0035 - 0.0024$ [ $\phi 1.600 + 0.090 - 0.060$ ]
	8 BI-SPRING	$\phi 0.125 \pm 0.001$ [ $\phi 3.180 \pm 0.025$ ]		$\phi 0.119 \pm 0.002$ [ $\phi 3.02 \pm 0.05$ ]
IMMERSION TIN PCB	22 OMEGA	$\phi 0.047 \pm 0.001$ [ $\phi 1.19 \pm 0.025$ ]	0.000033 $\pm$ 0.000006 [0.85 $\pm$ 0.15 $\mu$ ] immersion tin over 0.0010 [25 $\mu$ ] min. copper	$\phi 0.043 \pm 0.002$ [ $\phi 1.09 \pm 0.05$ ]
	20 OMEGA	$\phi 0.047 \pm 0.001$ [ $\phi 1.19 \pm 0.025$ ]		$\phi 0.043 \pm 0.002$ [ $\phi 1.09 \pm 0.05$ ]
	16 BI-SPRING	$\phi 0.069 \pm 0.001$ [ $\phi 1.750 \pm 0.025$ ]		$\phi 0.0630 + 0.0035 - 0.0024$ [ $\phi 1.600 + 0.090 - 0.060$ ]
	8 BI-SPRING	$\phi 0.125 \pm 0.001$ [ $\phi 3.180 \pm 0.025$ ]		$\phi 0.119 \pm 0.002$ [ $\phi 3.02 \pm 0.05$ ]
IMMERSION SILVER PCB	22 OMEGA	$\phi 0.047 \pm 0.001$ [ $\phi 1.19 \pm 0.025$ ]	0.000013 $\pm$ 0.000007 [0.34 $\pm$ 0.17 $\mu$ ] immersion silver over 0.0010 [25 $\mu$ ] min. copper	$\phi 0.043 \pm 0.002$ [ $\phi 1.09 \pm 0.05$ ]
	20 OMEGA	$\phi 0.047 \pm 0.001$ [ $\phi 1.19 \pm 0.025$ ]		$\phi 0.043 \pm 0.002$ [ $\phi 1.09 \pm 0.05$ ]
	16 BI-SPRING	$\phi 0.069 \pm 0.001$ [ $\phi 1.750 \pm 0.025$ ]		$\phi 0.0630 + 0.0035 - 0.0024$ [ $\phi 1.600 + 0.090 - 0.060$ ]
	8 BI-SPRING	$\phi 0.125 \pm 0.001$ [ $\phi 3.180 \pm 0.025$ ]		$\phi 0.119 \pm 0.002$ [ $\phi 3.02 \pm 0.05$ ]
ELECTROLESS NICKEL / IMMERSION GOLD PCB	22 OMEGA	$\phi 0.047 \pm 0.001$ [ $\phi 1.19 \pm 0.025$ ]	0.000002 [0.05 $\mu$ ] min. immersion gold over 0.000177 $\pm$ 0.000059 [4.5 $\pm$ 1.5 $\mu$ ] electroless nickel per IPC-4552 over 0.0010 [25 $\mu$ ] min. copper	$\phi 0.043 \pm 0.002$ [ $\phi 1.09 \pm 0.05$ ]
	20 OMEGA	$\phi 0.047 \pm 0.001$ [ $\phi 1.19 \pm 0.025$ ]		$\phi 0.043 \pm 0.002$ [ $\phi 1.09 \pm 0.05$ ]
	16 BI-SPRING	$\phi 0.069 \pm 0.001$ [ $\phi 1.750 \pm 0.025$ ]		$\phi 0.0630 + 0.0035 - 0.0024$ [ $\phi 1.600 + 0.090 - 0.060$ ]
	8 BI-SPRING	$\phi 0.125 \pm 0.001$ [ $\phi 3.180 \pm 0.025$ ]		$\phi 0.119 \pm 0.002$ [ $\phi 3.02 \pm 0.05$ ]

**“Omega” Termination**  
utilized on signal contacts



**“Bi-Spring” Termination**  
utilized on signal contacts



**COMPLIANT PRESS-FIT TERMINATION CONTACT HOLE**

**NOTE:** For PCB plating compositions not shown, consult Technical Sales.

**COMPLIANT PRESS-FIT USER INFORMATION**

When properly used, Positronic Industries Bi-Spring Power or Omega Signal Press-Fit terminations provide reliable service even under severe conditions.

Connectors utilizing this leading technology press-fit contact are easy to install:

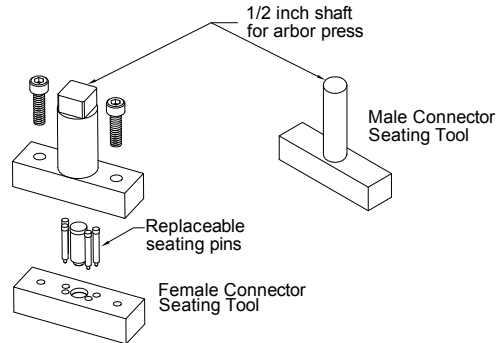
1. Inexpensive installation tooling is available from Positronic, to choose the proper installation tool refer to page 77 for part number ordering information.
2. Insert the connector into the P.C. board or backplane and seat connector fully.
3. Secure the connector to the P.C. board or backplane using two self-tapping screws. The screws should be 4-40 threads supplied by customer.



COMPLIANT PRESS-FIT CONNECTOR INSTALLATION TOOLS

USE INDICATED POSITRONIC TOOLS FOR BEST RESULTS

SEATING TOOLS



Positronic offers expert assistance in adapting application tooling to your manufacturing environment. Contact our application tooling specialist for assistance.

POSITRONIC RECOMMENDED TOOLS FOR COMPLIANT PRESS-FIT CONNECTORS AND CONTACTS

SHELL SIZE	CONNECTOR VARIANT	CONNECTOR SEATING TOOL WITH ARBOR PRESS SHAFT		ARBOR PRESS FOR SEATING TOOLS	REPLACEMENT PINS FOR CONNECTOR SEATING TOOL
		FEMALE P / N	MALE P / N		
1	2WK2	9512-44-0-41	9512-44-0-41	Use 1 ton capacity 4 inch throat	For <b>8W2 Size 22</b> Female contacts use pin p / n <b>9512-41-3-41</b>
	5W1	9512-18-0-41	9512-1-0-41		
	8W2	9512-41-0-41	9512-40-0-41		
2	3W3	9512-19-0-41	9512-2-0-41		For <b>19W1 Size 22</b> Female contacts use pin p / n <b>855-347-29-41</b>
	3WK3	9512-39-0-41	9512-38-0-41		
	7W2	9512-20-0-41	9512-2-0-41		
	11W1	9512-21-0-41	9512-2-0-41		
	19W1	9512-42-0-41	9512-2-0-41		
3	5W5	9512-22-0-41	9512-3-0-41		For <b>Size 20</b> Female contacts use pin p / n <b>855-347-18-41</b>
	9W4	9512-23-0-41	9512-3-0-41		
	13W3	9512-24-0-41	9512-3-0-41		
	17W2	9512-25-0-41	9512-3-0-41		
	21W1	9512-26-0-41	9512-3-0-41		
4	8W8	9512-27-0-41	9512-4-0-41		For <b>Size 16</b> Female contacts use pin p / n <b>855-347-28-41</b>
	13W6	9512-28-0-41	9512-4-0-41		
	17W5	9512-29-0-41	9512-4-0-41		
	21WA4	9512-30-0-41	9512-4-0-41		
	25W3	9512-31-0-41	9512-4-0-41		
	27W2	9512-32-0-41	9512-4-0-41		
5	24W7	9512-33-0-41	9512-5-0-41	For <b>Size 8</b> Female contacts use pin p / n <b>855-347-19-41</b>	
	36W4	9512-34-0-41	9512-5-0-41		
	43W2	9512-35-0-41	9512-5-0-41		
	47W1	9512-36-0-41	9512-5-0-41		
6	46W4	9512-37-0-41	9512-16-0-41		Male contacts don't use replaceable pins



# Positronic® offers a variety of QPL connector products

## D-SUBMINIATURE CONNECTORS

MIL PREFIX	POSITRONIC SERIES
MIL-DTL-24308/1	HDC
MIL-DTL-24308/2	RD, DD
MIL-DTL-24308/3	HDC
MIL-DTL-24308/4	RD, DD
MIL-DTL-24308/5	HDC
MIL-DTL-24308/6	RD, DD
MIL-DTL-24308/7	HDC
MIL-DTL-24308/8	RD, DD
MIL-DTL-24308/23	HDC, DD

MIL PREFIX	POSITRONIC SERIES
MIL-DTL-24308/24	HDC, DD
MIL-DTL-24308/25	HDC, RD, DD
MIL-DTL-24308/26	HDC, RD, DD
GSFC S-311-P4	SND, SDD, SCBC, SCBM
GSFC S-311-P10	SND, SCBM
SAE AS39029/57	DD
SAE AS39029/58	DD
SAE AS39029/63	RD
SAE AS39029/64	RD

## RECTANGULAR CONNECTORS

MIL PREFIX	POSITRONIC SERIES
MIL-DTL-28748/3	GMCT
MIL-DTL-28748/4	GMCT
MIL-DTL-28748/5	GM
MIL-DTL-28748/6	GM
MIL-DTL-28748/7	SGM

MIL PREFIX	POSITRONIC SERIES
MIL-DTL-28748/8	SGM
MIL-C-28748/13	SGMC
MIL-C-28748/14	SGMC
SAE AS39029/34	SGMC, GMCT
SAE AS39029/35	SGMC, GMCT

For a complete QPL listing available to download in PDF format, visit the desired connector family home page and click on link “Qualified Product Listing (PDF)” on our website at:

**[www.connectpositronic.com](http://www.connectpositronic.com)**

or enter the URL link below to download the QPL PDF file immediately!

**[www.connectpositronic.com/qpl/catalog](http://www.connectpositronic.com/qpl/catalog)**

# Connector Excellence<sup>®</sup>

## Positronic HIGH RELIABILITY Products

### POWER



#### FEATURES:

- High current density
- Energy saving - low contact resistance
- AC/DC operation in a single connector
- Signal contacts for hardware management
- Blind mating
- Sequential mating
- Large surface area contact mating system
- Wide variety of accessories
- Customer-specified contact arrangements
- Modular tooling which produces a single piece connector insert

**Contact Sizes:** 0, 8, 12, 16, 20, 22 and 24  
**Current Ratings:** To 200 amperes per contact  
**Terminations:** Crimp and fixed cable connector, straight solder, right angle (90°) solder, straight compliant press-in and right angle (90°) compliant press-in  
**Configurations:** Multiple variants in a variety of package sizes  
**Compliance:** PICMG 2.11, PICMG 3.0, VITA 41, DSCC, GSFC S-311-P-4, GSFC S-311-P-10

### D - SUB MINIATURE



#### FEATURES:

- Four performance levels available for best cost/performance ratio: professional, industrial, military and space-flight quality
- Options include high voltage, coax, thermocouple and air coupling contacts; environmentally sealed and dual port connector packages including mixed density
- Broad selection of accessories
- Size 20 and 22 contacts suitable for use in carrying power
- IP65, IP67

**Contact Sizes:** 8, 16, 20 and 22  
**Current Ratings:** To 100 amperes  
**Terminations:** Crimp, wire solder, straight solder, right angle (90°) compliant press-in and right angle (90°) compliant press-in housing sizes  
**Configurations:** Multiple variants in both standard and high densities, seven connector housing sizes  
**Qualifications:** MIL-DTL-24308, GSFC S-311-P-4, GSFC S-311-P-10, AS39029, DSCC

### RECTANGULAR



#### FEATURES:

- Two performance levels available: industrial quality and military quality
- A wide variety of accessories
- Broad selection of contact arrangement and package sizes
- Connector coding device (keying) options

**Contact Sizes:** 16, 20 and 22  
**Current Ratings:** To 13 amperes nominal  
**Terminations:** Crimp, wire solder, straight solder, right angle (90°) solder, and straight compliant press-in  
**Configurations:** Multiple variants in both standard and high densities, thirty package sizes  
**Qualifications:** MIL-DTL-28748, AS39029, CCITT V.35

### CIRCULAR



#### FEATURES:

- Non-corrodible / lightweight composite construction
- EMI/RFI shielded versions
- Thermocouple contacts
- Environmentally sealed versions
- Rear insertion/ front release of removable contacts
- Two level sequential mating
- Overmolding available on full assemblies

**Contact Sizes:** 12, 16, 20 and 22  
**Current Ratings:** To 25 amperes nominal  
**Terminations:** Crimp, wire solder, straight solder, and right angle (90°) solder  
**Configurations:** Multiple variants in four package sizes  
**Qualifications:** Environmental protection to IP67

### CABLE



#### FEATURES:

- Shorten the supply chain and reduce additional costs and delays by "cabling" your Positronic connector selection
- Overmolding available
- Shielded and environmentally sealed versions available
- Power cables and access boxes which meet the SAE J2496 specification

- ✓ Design assemblies in accordance with customer specifications.
- ✓ Prepare wire harness connector configuration and performance specifications.
- ✓ Design each system in accordance with applicable customer, domestic, and international standards.
- ✓ Define and conduct performance and verification testing.

### HERMETIC



#### FEATURES:

- Intended for use as an electrical feedthrough in high vacuum applications
- Helium leakage rate at ambient temperature:  $< 5 \times 10^{-9}$  mbar.l/s under a vacuum  $1.5 \times 10^{-2}$  mbar
- Signal, power, coax and high voltage versions available
- Connectors can be mounted on flange assembly per customer specification

**Contact Sizes:** 8, 12, 16, 20 and 22  
**Current Ratings:** To 40 amperes nominal  
**Terminations:** Feedthrough is standard; flying leads and board mount available upon request  
**Configurations:** See D-subminiature and circular configurations above  
**Compliance:** Space-D32

For more information, visit [www.connectpositronic.com](http://www.connectpositronic.com) or call your nearest Positronic sales office listed on the back of this catalog.



# Positronic®

an Amphenol company

## Divisional Headquarters

### Positronic | Americas

1325 N Eldon Ave  
Springfield MO 65803 USA

+1 800 641 4054  
info@connectpositronic.com

### Positronic | Europe

Z.I. d'Engachies  
46, route d'Engachies  
F-32020 Auch Cedex 9 France

+33 5 6263 4491  
contact@connectpositronic.com

### Positronic | Asia

3014A Ubi Rd 1 #07-01  
Singapore 408703

+65 6842 1419  
singapore@connectpositronic.com

## Sales Offices

Positronic has local sales representation all over the world. To find the nearest sales office, please visit [www.connectpositronic.com/sales](http://www.connectpositronic.com/sales)

This document is subject to change without notice. Visit our website for the latest updates at [www.connectpositronic.com/en/catalogs/](http://www.connectpositronic.com/en/catalogs/)

LOCAL REPRESENTATIONS