

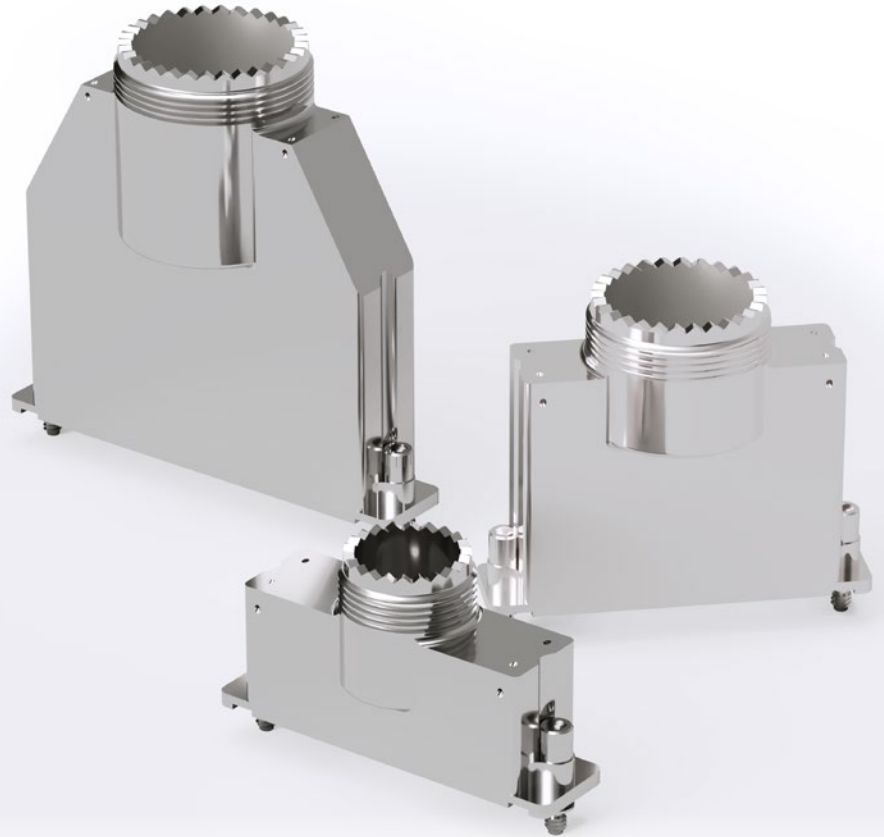
PRECISION MACHINED ONE-PIECE THREADED BACKSHELLS

LIGHTWEIGHT ALUMINUM OR STAINLESS STEEL

X3 SERIES, FOR USE WITH D-SUB CONNECTORS AND CIRCULAR M38999 / AS85049 BACKSHELL ACCESSORIES

FEATURES

- Suitable with machined and stamped shells for standard, high, and mixed density D-Sub connectors, including the Mach-D Series
- Available in sizes 1 through 6
- Threaded top entry for use with AS85049 backshell accessories compatible with M38999 connectors
- Standard and low profile
- Rotating or fixed jackscrews
- Spacious interior
- One-piece construction
- Metal backshell offers EMI protection
- Suitable for robust use
- Customizable



TECH SPECS

Performance Level Mil/Aero / Spaceflight / Industrial

RoHS Compliance Compliant when /AA suffix is applied

MATERIAL AND FINISHES

Material Aluminum: Conductive electroless nickel, low-mag electroless nickel, black anodize, olive drab cadmium, gold

Stainless Steel: Passivated

Hardware Stainless steel, passivated
Brass with gold plate

MECHANICAL

Cable Entry Top entry

Locking System Jackscrews

ENVIRONMENTAL

Operating Temperature -55 to 125°C



Positronic[®]
an Amphenol company

THE SCIENCE OF CERTAINTY[®]

M057 26/01

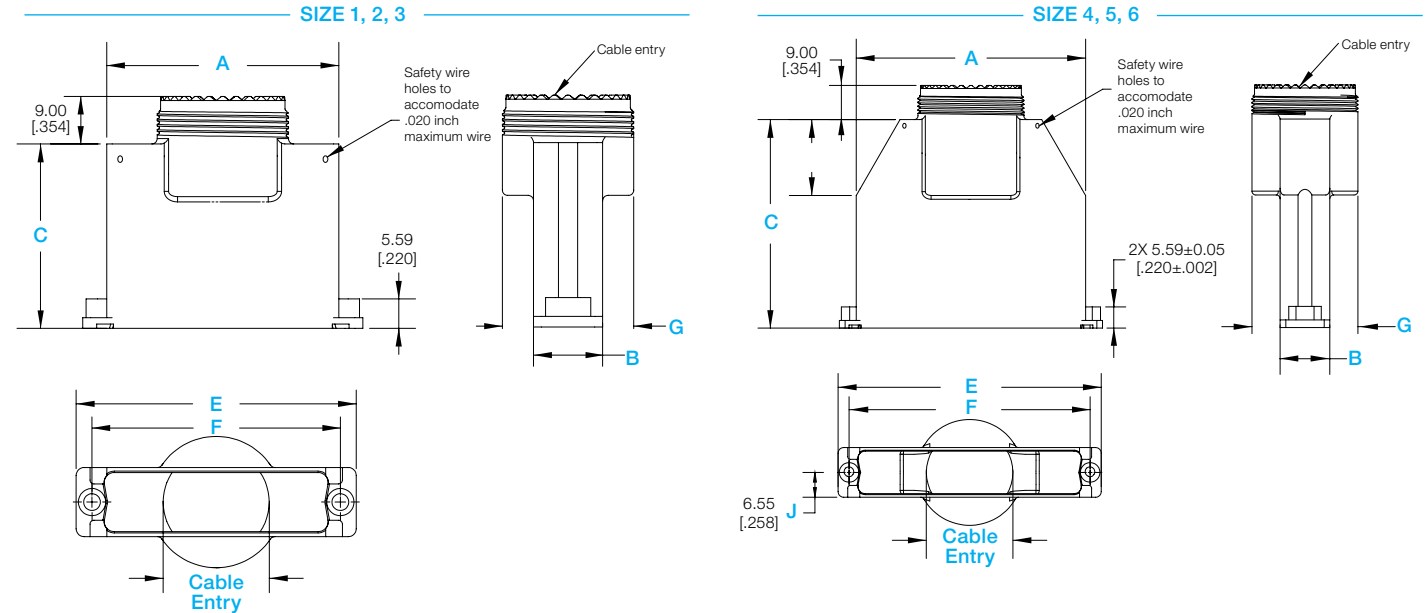
LIGHTWEIGHT ALUMINUM OR STAINLESS BACKSHELLS

For the sake of brevity, only basic dimensions are shown here. Additional dimensional detail is available in the respective product drawings.

For use with code E or T2

X3P

Backshell, threaded, aluminum or stainless steel, top entry



X3P backshell shown with E option



X3P backshell shown with T2 option



X3P backshell shown with E option



X3P backshell shown with T2 option

Dimensions are in millimeters [inches]

PART NUMBER	Connector / Contact Arrangement Compatibility		Shell Size	A	B	C	E	F	G	Cable Entry ²	M38999 Shell Size	Total Mass ³
D9000X3PN* ¹ E0 D9000X3PN* ¹ T20	Std-D: 9 High-D: 15	Combo-D: 5W1, 2WK2 Combo-D High-D: 8W2	1	21.97 [.865]	13.11 [.516]	34.93 [1.375]	30.81 [1.213]	24.99 [.984]	17.874 [.704]	16.674 ² [.656 ²]	13	11.80 grams
D15000X3PN* ¹ E0 D15000X3PN* ¹ T20	Std-D: 15 High-D: 26	Combo-D: 3W3, 3WK3, 7W2, 11W1 Combo-D High-D: 19W1	2	30.30 [1.193]	13.11 [.516]	34.93 [1.375]	39.14 [1.541]	33.32 [1.312]	17.874 [.704]	16.674 ² [.656 ²]	13	13.70 grams
D25000X3PN* ¹ E0 D25000X3PN* ¹ T20	Std-D: 25 High-D: 44	Combo-D: 5W5, 9W4, 13W3, 17W2, 21W1 Combo-D High-D: 15W4	3	43.97 [1.731]	13.11 [.516]	34.93 [1.375]	53.04 [2.088]	47.04 [1.852]	24.874 [.979]	23.674 ² [.932 ²]	17	19.60 grams
D37000X3PN* ¹ E0 D37000X3PN* ¹ T20	Std-D: 37 High-D: 62	Combo-D: 8W8, 13W6, 17W5, 21WA4, 25W3, 27W2 Combo-D High-D: 45W2	4	60.43 [2.379]	13.11 [.516]	54.93 [2.162]	69.32 [2.729]	63.50 [2.500]	24.874 [.979]	26.674 ² [1.050 ²]	19	32.70 grams
D50000X3PN* ¹ E0 D50000X3PN* ¹ T20	Std-D: 50 High-D: 78	Combo-D: 24W7, 36W4, 43W2, 47W1 Combo-D High-D: n/a	5	58.04 [2.285]	16.03 [.631]	54.93 [2.162]	66.93 [2.635]	61.11 [2.406]	24.874 [.979]	26.674 ² [1.050 ²]	19	32.70 grams
D104000X3PN* ¹ E0 D104000X3PN* ¹ T20	Std-D: n/a High-D: 104	Combo-D: 46W4 Combo-D High-D: n/a	6	60.43 [2.379]	17.60 [.693]	54.93 [2.162]	69.32 [2.729]	63.50 [2.500]	24.874 [.979]	23.674 ² [.932 ²]	17	29.80 grams

*1 For additional 'Material & Finish Options', replace 'N' with desired 'Code' from Create A Part on page 4.

*2 Custom cable entry is available. Contact Technical Sales for more information.

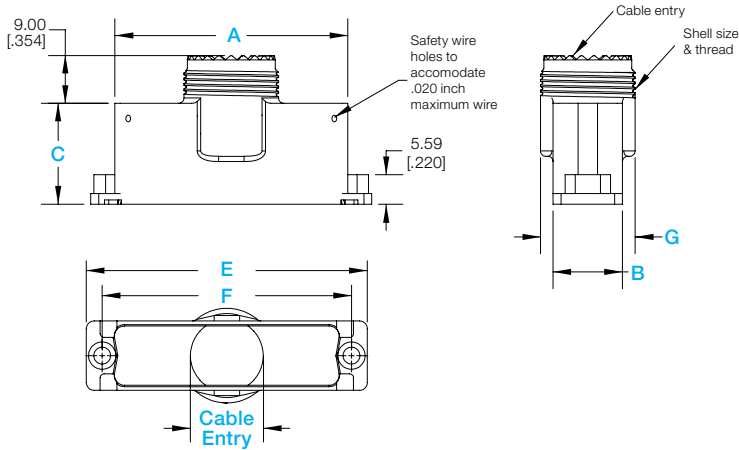
*3 Total Mass shown is for D*000X3PNT20 configuration. For Total Mass of E jackscrew option, add 1.7 grams to the listed value.

LIGHTWEIGHT ALUMINUM OR STAINLESS BACKSHELLS

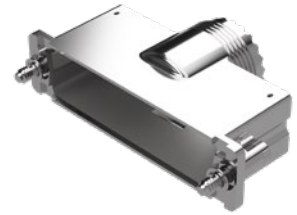
For the sake of brevity, only basic dimensions are shown here. Additional dimensional detail is available in the respective product drawings.

X3W

Backshell, threaded, aluminum or stainless steel, top entry, low profile
For use with Combo-D layouts, contact Technical Sales.



For use with code E or T2



X3W backshell shown with E option



X3W backshell shown with T2 option

Dimensions are in millimeters [inches]

PART NUMBER	Connector / Contact Arrangement Compatibility		Shell Size	A	B	C	E	F	G	Cable Entry ²	M38999 Shell Size & Thread	Total Mass ³
D9000X3WN* ¹ E0 D9000X3WN* ¹ T20	Std-D: 9 High-D: 15	Combo-D: 5W1, 2WK2 Combo-D High-D: 8W2	1	21.97 [.865]	13.11 [.516]	19.05 [.750]	30.81 [1.213]	24.99 [.984]	11.874 [.467]	10.674 ² [.420 ²]	9	8.20 grams
D15000X3WN* ¹ E0 D15000X3WN* ¹ T20	Std-D: 15 High-D: 26	Combo-D: 3W3, 3WK3, 7W2, 11W1 Combo-D High-D: 19W1	2	30.30 [1.193]	13.11 [.516]	19.05 [.750]	39.14 [1.541]	33.32 [1.312]	14.874 [.586]	13.674 ² [.538 ²]	11	9.70 grams
D25000X3WN* ¹ E0 D25000X3WN* ¹ T20	Std-D: 25 High-D: 44	Combo-D: 5W5, 9W4, 13W3, 17W2, 21W1 Combo-D High-D: 15W4	3	43.97 [1.731]	13.11 [.516]	19.05 [.750]	53.04 [2.088]	47.04 [1.852]	17.874 [.704]	16.674 ² [.656 ²]	13	12.40 grams
D37000X3WN* ¹ E0 D37000X3WN* ¹ T20	Std-D: 37 High-D: 62	Combo-D: 8W8, 13W6, 17W5, 21WA4, 25W3, 27W2 Combo-D High-D: 45W2	4	60.43 [2.379]	13.11 [.516]	19.05 [.750]	69.32 [2.729]	63.50 [2.500]	21.874 [.861]	20.674 ² [.814 ²]	15	16.70 grams
D50000X3WN* ¹ E0 D50000X3WN* ¹ T20	Std-D: 50 High-D: 78	Combo-D: 24W7, 36W4, 43W2, 47W1 Combo-D High-D: n/a	5	58.04 [2.285]	16.03 [.631]	19.05 [.750]	66.93 [2.635]	61.11 [2.406]	21.874 [.861]	20.674 ² [.814 ²]	15	16.80 grams
D104000X3WN* ¹ E0 D104000X3WN* ¹ T20	Std-D: n/a High-D: 104	Combo-D: 46W4 Combo-D High-D: n/a	6	60.43 [2.379]	17.60 [.693]	19.05 [.750]	69.32 [2.729]	63.50 [2.500]	24.874 [.979]	23.674 ² [.932 ²]	17	17.70 grams

*1 For additional 'Material & Finish Options', replace 'N' with desired 'Code' from Create A Part on page 4.

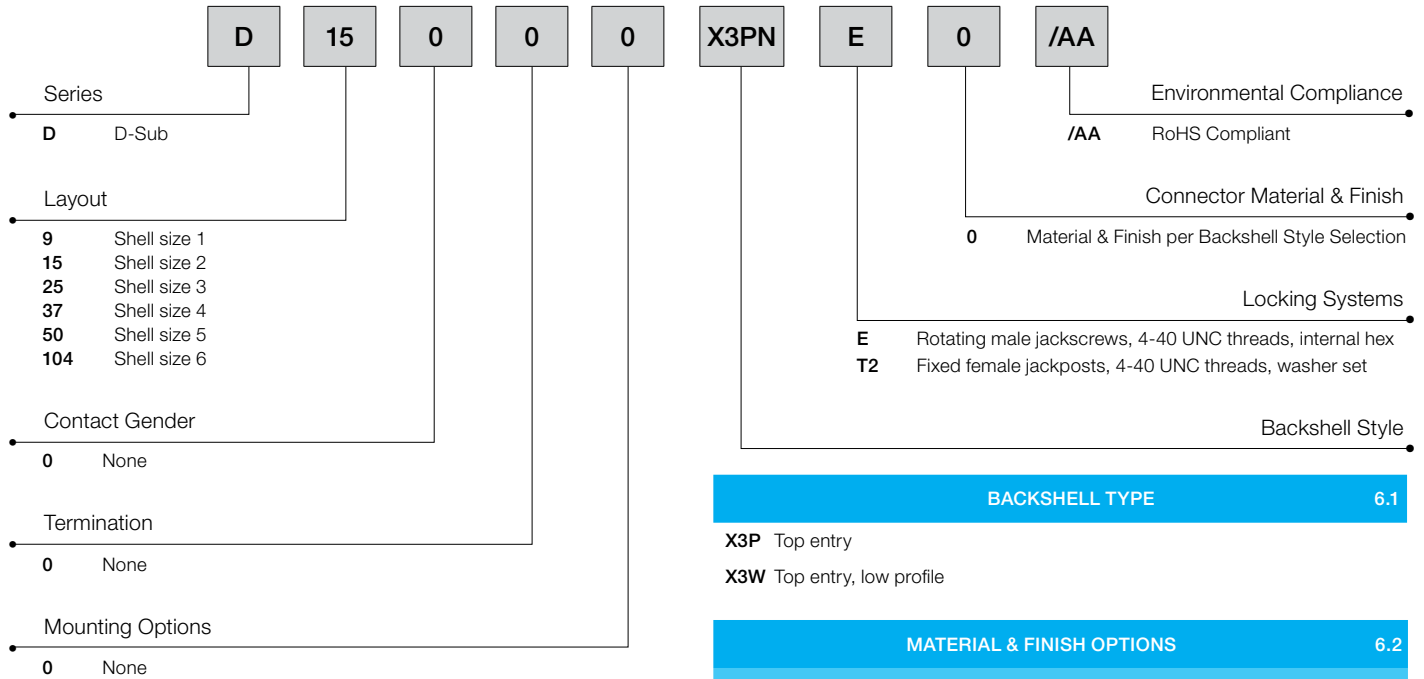
*2 Custom cable entry is available. Contact Technical Sales for more information.

*3 Total Mass shown is for D*000X3WNT20 configuration. For Total Mass of E jackscrew option, add 1.7 grams to the listed value.

Positronic

General Information

CREATE A PART



BACKSHELL TYPE 6.1

- X3P Top entry
- X3W Top entry, low profile






MATERIAL & FINISH OPTIONS 6.2

Backshell Finish	Hardware Material
<i>Standard Platings</i>	
BA Anodize, black	Stainless steel, passivated
L Electroless nickel, conductive	Stainless steel, passivated
N Electroless nickel, low mag	Stainless steel, passivated
S Stainless steel, passivated	Stainless steel, passivated
C No finish	Stainless steel, passivated
<i>Optional Platings</i>	
DC Cadmium, olive drab	Stainless steel, passivated
G Gold 0.76µm min.	Brass, 1.27µm min. gold plate

Our backshells are also available as part of connector kits. To include a backshell in a connector kit, insert the appropriate Backshell Series (shown above) into the Backshells & Boardlocks step of a connector part number. Examples follow:

Series	Layout	Contact Gender	Termination	Mounting Option	Backshells & Boardlocks	Locking Systems	Shells	Environmental Compliance	PART NUMBER
RD	15	M	1	0	X3PS	E	S	/AA	RD15M10X3PSES/AA
DD	44	P	2	0	X3WL	E	L	/AA	DD44P20X3WLEL/AA
CBC	7W2	M	11	0	X3PDC	T2	C		CBC7W2M110X3PDC2C
MCDD	26	S	0	0	X3WN	T2	K	/AA	MCDD26S00X3WNT2K/AA
SND	25	M	1	0	X3WG	E	G	/AA	SND25M10X3WGE/AA

See connectpositronic.com
for all other D-Sub related
information including:

- ✓ **Footprints** 
- ✓ **Tooling** 
- ✓ **Product updates** 
- ✓ **Detailed dimensions** 
- ✓ **2D/3D drawings** 

All dimensional tolerances are ± 0.38 [0.015], unless otherwise specified. Dimensions are in millimeters [inches]. All dimensions are subject to change. Product pictures may not be identical in appearance to actual production parts.

Information in this catalog is proprietary to Positronic and its subsidiaries. Positronic believes the data contained herein to be reliable. Since the technical information is given free of charge, the user employs such information at his own discretion and risk. Positronic assumes no responsibility for results obtained or damages incurred from use of such information in whole or in part.

The following trademarks are owned by Positronic Industries, Inc.: Positronic Industries, Inc.®, Positronic®, Connector Excellence®, P+ logo®, PosiBand®, PosiShop®, Optik-D™, and The Science of Certainty®. The color blue as it appears on various connectors is a trademark of Positronic Industries, Inc., Registered in U.S. Patent and Trademark Office.

Products described within this catalog may be protected by one or more of the following US patents:

#4,900,261 #5,255,580 #5,329,697 #6,260,268
#6,835,079 #7,115,002 #8,944,697 #9,304,263

Patented in Canada, 1992 Other patents pending

Federal Supply Code for Manufacturers

Positronic Industries: 28198
Positronic Industries SAS: FA7Y0
Positronic Asia PTE LTD: QB952

Positronic | Americas

1325 N Eldon Ave
Springfield MO 65803 USA
+1 800 641 4054
info@connectpositronic.com

Positronic | Europe

46 route d'Engachies
F-32020 Auch Cedex 9 France
+33 5 6263 4491
contact@connectpositronic.com

Positronic | Asia

3014A Ubi Rd 1 #07-01
Singapore 408703
+65 6842 1419
singapore@connectpositronic.com

Sales Offices

Positronic has local sales representation all over the world. For the nearest sales office visit www.connectpositronic.com/sales